

Distributed by:

JAMECO[®]
ELECTRONICS

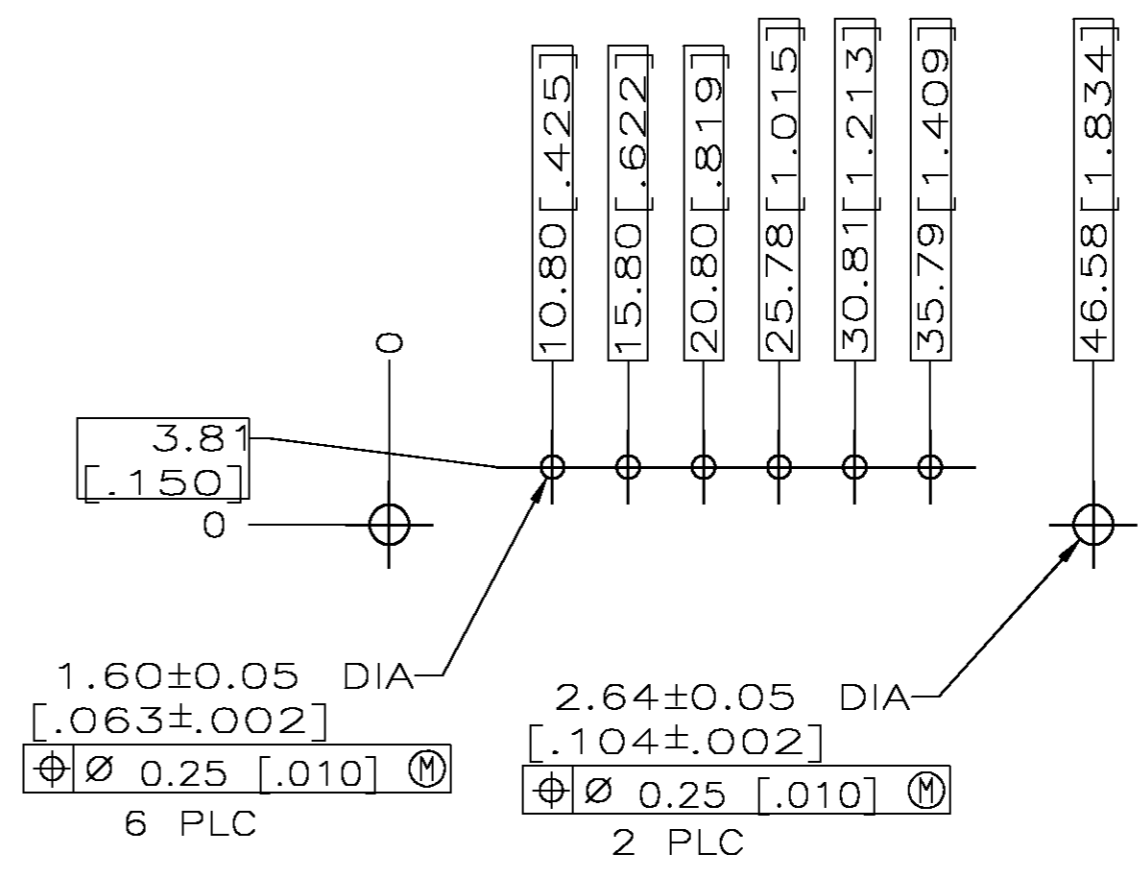
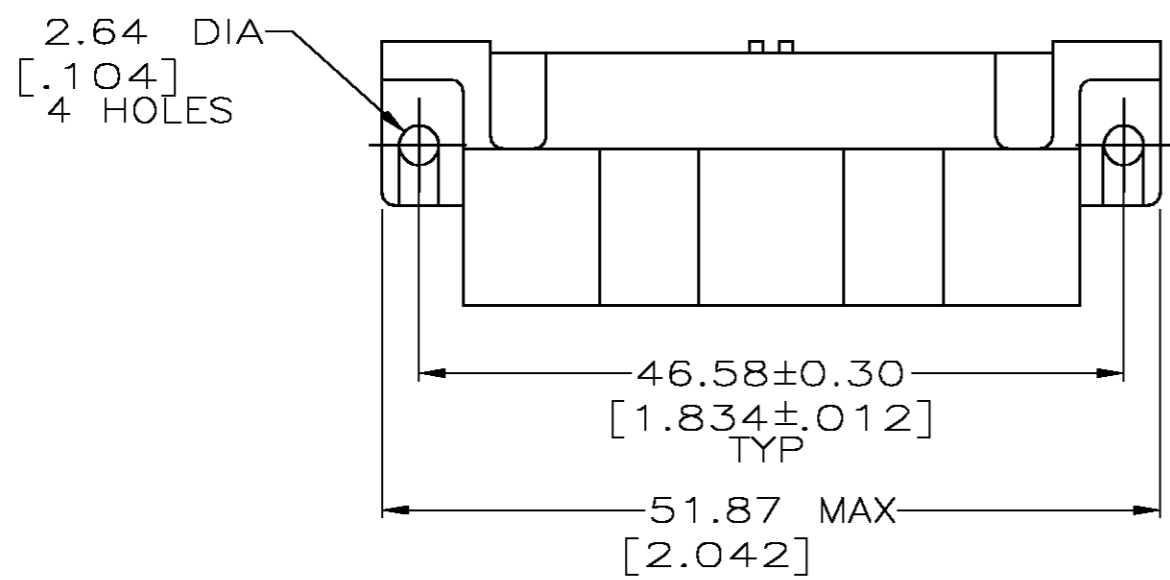
www.Jameco.com ♦ 1-800-831-4242

The content and copyrights of the attached
material are the property of its owner.

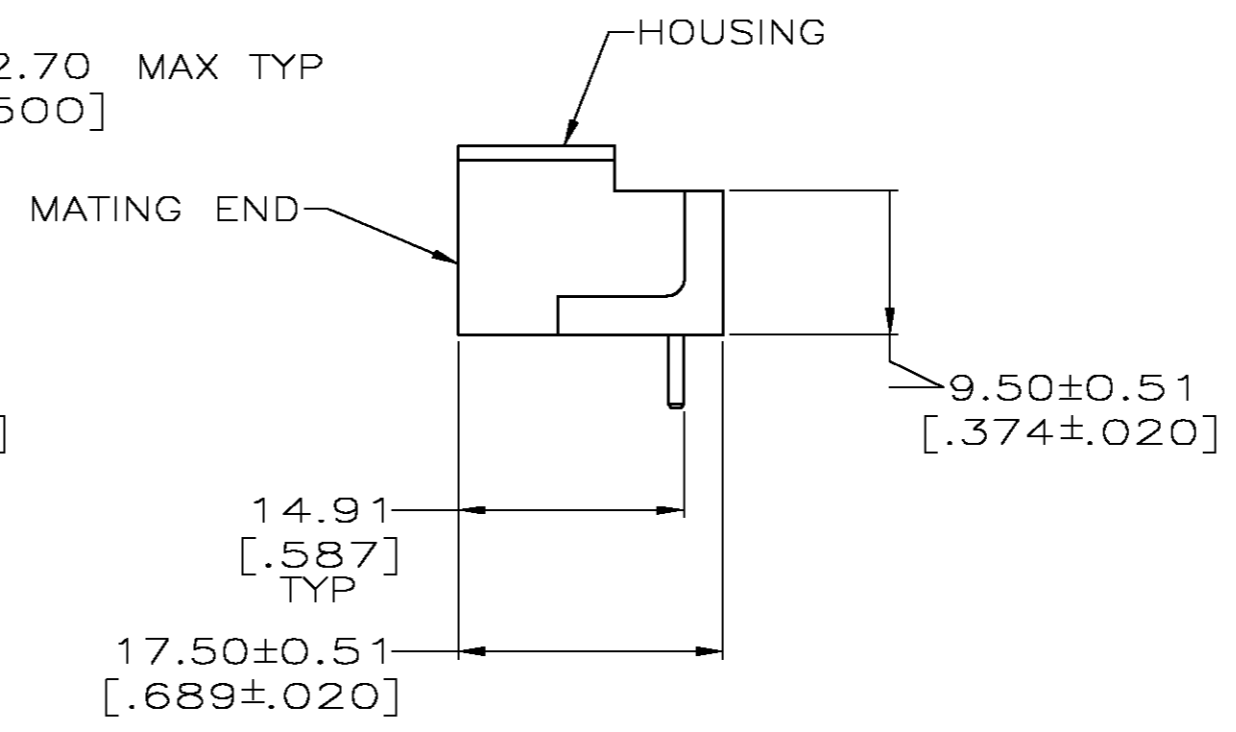
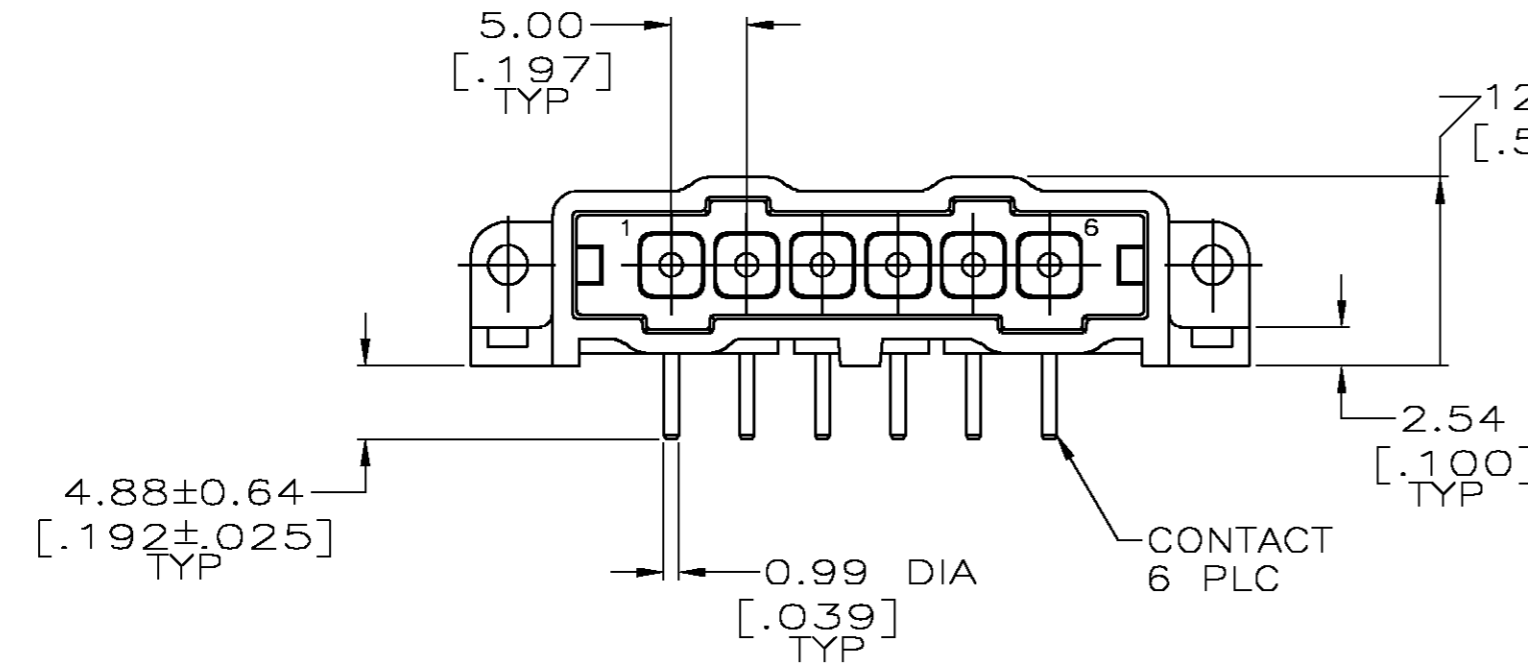
Jameco Part Number 749960

THIS DRAWING IS UNPUBLISHED. RELEASED FOR PUBLICATION
 © COPYRIGHT BY TYCO ELECTRONICS CORPORATION. ALL RIGHTS RESERVED.

LOC		DIST		REVISIONS			
P	LTR	DESCRIPTION	DATE	DWN	APVD		
	K	0G3B-035B-03	02MAY03	TK	GS		



RECOMMENDED PC BOARD LAYOUT



- ① NYLON, RED.
- ② BRASS PER ASTM B36.
- ③ 3.81µm [0.000150] MIN TIN-LEAD OVER 2.54µm [0.000100] MIN COPPER OR 1.27µm [0.000050] MIN NICKEL.
- ④ 0.76µm [0.000030] MIN GOLD FOR A LENGTH OF 5.08 [0.200] MIN FROM MATING END, 3.81µm [0.000150] MIN TIN-LEAD FOR A LENGTH OF 5.51 [0.217] MIN FROM OPPOSITE END, BOTH OVER 1.27µm [0.000050] MIN NICKEL.
- ⑤ .000150 MIN TIN OVER .000100 MIN CU, OR .000050 MIN TIN.
- ⑥ 0.76µm [0.000030] MIN GOLD FOR A LENGTH OF 5.08 [0.200] MIN FROM MATING END, 3.81µm [0.000150] MIN TIN FOR A LENGTH OF 5.51 [0.217] MIN FROM OPPOSITE END, BOTH OVER 1.27µm [0.000050] MIN NICKEL.

FINISH	PART NO
⑥	207378-7
⑤	207378-6
④	207378-3
③	207378-1

THIS DRAWING IS A CONTROLLED DOCUMENT.		DWN L.SIPE 07/07/92	Tyco Electronics Corporation Harrisburg, Pa	
DIMENSIONS: INCHES		CHK R.STONE 7-24-92	NAME A.TRAVIS	
TOLERANCES UNLESS OTHERWISE SPECIFIED:		APVD A.TRAVIS 7-24-92	PRODUCT SPEC	
0 PLC ± -		APPLICATION SPEC		
1 PLC ± -		WEIGHT -		
2 PLC ± 0.25 [0.010]		SCALE 2:1		
3 PLC ± -		SHEET 1 OF 1		
4 PLC ± -		REV K		
ANGLES ± -		CUSTOMER DRAWING		
MATERIAL HOUSING: ①		CONTACTS: SEE TBL		
		SIZE CAGE CODE DRAWING NO RESTRICTED TO		
		A2 00779 C=207378 -		