

Distributed by:

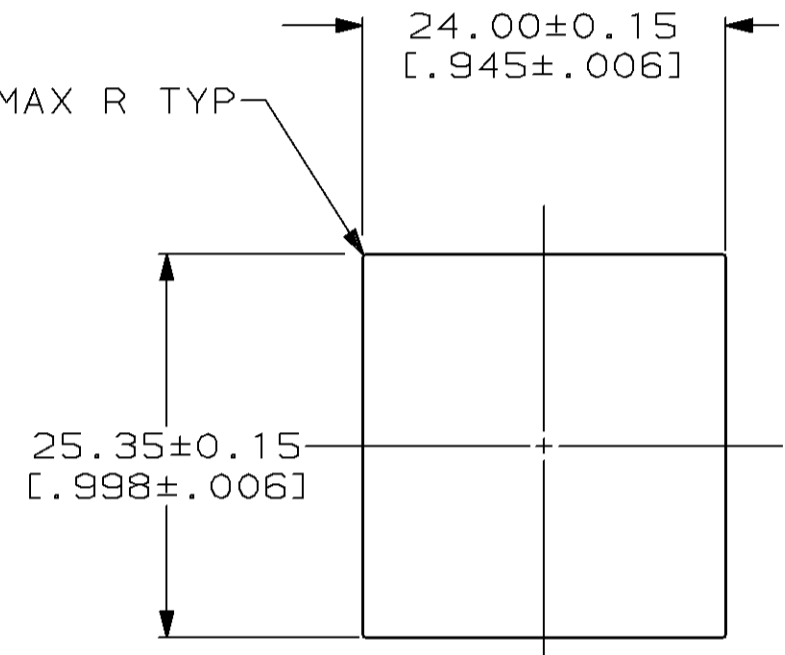
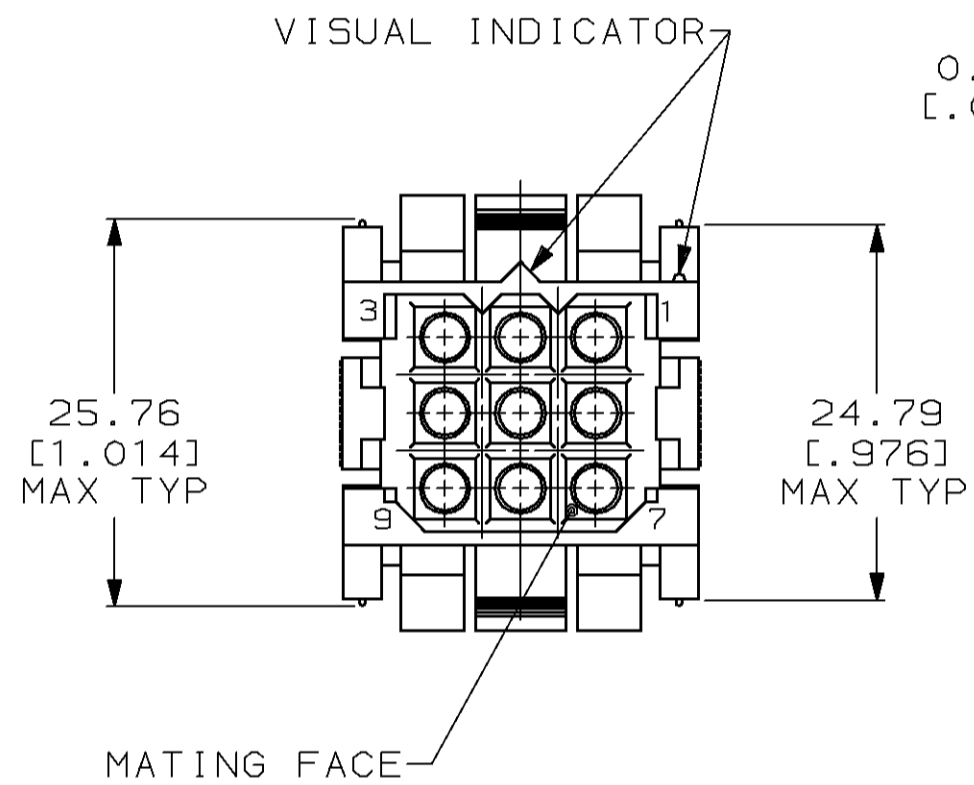
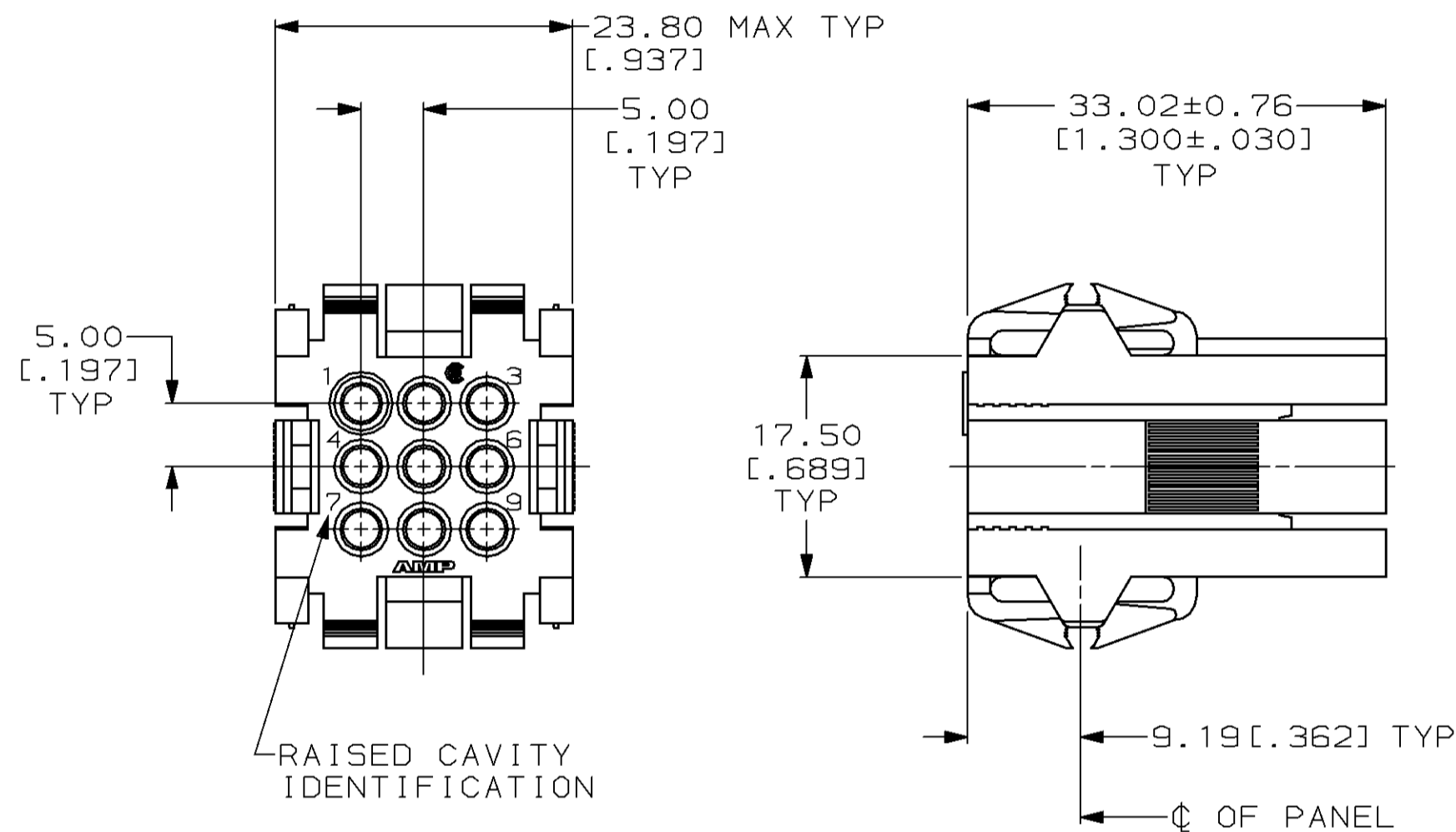
JAMECO[®]
ELECTRONICS

www.Jameco.com ♦ 1-800-831-4242

The content and copyrights of the attached
material are the property of its owner.

Jameco Part Number 838807

MOD		LOC		DIST		REVISIONS				
P	F	ZONE	LTR	DESCRIPTION	DATE	APPD				
1		BD		37			E	REDRAWN & REVISED PER ECN BD6668	08/26/92	-
							F	REV PER EC 0020-250-94	03/24/94	AT



PANEL CUTOUT

1. PANEL RETENTION MECHANISM ACCOMMODATES PANEL THICKNESSES FROM 0.76 [.030] TO 2.29 [.090].

THIS DRAWING IS A CONTROLLED DOCUMENT FOR AMP INCORPORATED. IT IS SUBJECT TO CHANGE AND THE CONTROLLING ENGINEERING ORGANIZATION SHOULD BE CONTACTED FOR THE LATEST REVISION.

DO NOT SCALE PRINT. UNLESS SPECIFIED DIMENSIONS IN mm [INCHES] TOLERANCES ON :		DR 08/26/92 W.LENKER		207440-1	
2 PLC DEC ± 0.25 [.010]		CHK 8-31-92 R.STONE		PART NO	
3 PLC DEC ± -		APPD 9-2-92 A.TRAVIS		AMP Incorporated Harrisburg, PA 17105-3608	
ANGLES ± -		APPD 9-3-92 C.ROHDE			
MATERIAL		PRODUCT SPEC		NAME	
NYLON, COLOR: RED		108-10033		HOUSING, RECEPTACLE, 9 POSITION, METRIMATE	
FINISH		APPLICATION SPEC		SIZE	CAGE CODE
-		-		Ø	00779
		WEIGHT		DRAWING NO	
		-		Ø=207440	
				SCALE	SHEET
				2:1	1 OF 1