



Have a Question?
Chat with a Product
Information Specialist

What can we help you find?

[Products](#) [Industries](#) [Resources](#) [About TE](#) [My Account](#) [Innovation](#) [Support Center](#)

207463-1 Product Details

[Share](#) [Print](#) [Email](#)



207463-1

TE Internal Number: 207463-1

Active

[View 3D PDF](#)

Standard Cable Connectors

Always EU RoHS/ELV Compliant (Statement of Compliance)

Product Highlights:

- Connector
- Product Series = HDP-20 (Crimp Snap)
- 25 Positions
- Without Enclosure
- Connector Style = Receptacle

[View all Features](#)

Quick Links

- ▶ [Pricing & Availability](#)
- ▶ [Search for Tooling](#)
- ▶ [View Mating Products \(12\)](#)
- ▶ [View Receptacle Kits \(3\)](#)
- ▶ [Product Feature Selector](#)
- ▶ [Contact Us About This Product](#)

[Add to My Part List](#) [Request Sample](#) [Find Similar Products](#) [Buy Product](#)

Documentation & Additional Information	
<p>Product Drawings:</p> <ul style="list-style-type: none"> • RECEPTACLE CONNECTOR, SIZE 3, 25 POSITION, AMPLIMITE... (PDF, English) <p>Catalog Pages/Data Sheets:</p> <ul style="list-style-type: none"> • AMPLIMITE Subminiature D Connectors - Cable Connectors (PDF, English) <p>Product Specifications:</p> <ul style="list-style-type: none"> • AMPLIMITE HDP-20 Subminiature D Connector With F Cri... (PDF, English) <p>Application Specifications:</p> <ul style="list-style-type: none"> • AMPLIMITE HDP-20 and Economy Crimp Snap Subminiature... (PDF, English) <p>Instruction Sheets:</p> <ul style="list-style-type: none"> • AMPLIMITE High Density (HDP-20) Connectors with Crim... (PDF, English) <p>CAD Files: (CAD Format & Compression Information)</p> <ul style="list-style-type: none"> • 2D Drawing (DXF, Version D) • 3D Model (IGES, Version D) • 3D Model (STEP, Version D) 	<p>Additional Information:</p> <ul style="list-style-type: none"> • Product Line Information <p>Related Products:</p> <ul style="list-style-type: none"> • Tooling • Mating Products (12) • Receptacle Kits (3)

[List all Documents](#)

Product Features (Please use the Product Drawing for all design activity)	
<p>Product Type Features:</p> <ul style="list-style-type: none"> • Product Type = Connector • Product Series = HDP-20 (Crimp Snap) • Mating Connector Lock = With • Mating Connector Lock Type = Mounting Holes • Shell Size = 3 • Shell Type = Full Metal Shell • Grounding Indents = Without • Grade = Standard • Color = Black • Shell Material = Steel <p>Body Features:</p> <ul style="list-style-type: none"> • Shell Plating = Tin • Insert Material = Thermoplastic <p>Contact Features:</p> <ul style="list-style-type: none"> • Contact Size = 20 	<p>Housing Features:</p> <ul style="list-style-type: none"> • Enclosure = Without • Connector Style = Receptacle <p>Configuration Features:</p> <ul style="list-style-type: none"> • Number of Positions = 25 • Preloaded = No <p>Industry Standards:</p> <ul style="list-style-type: none"> • RoHS/ELV Compliance = RoHS compliant, ELV compliant • Lead Free Solder Processes = Not relevant for lead free process • RoHS/ELV Compliance History = Always was RoHS compliant • Insert Flammability Rating = UL 94V-0 <p>Other:</p> <ul style="list-style-type: none"> • Brand = AMP • Comment = Receptacles accept size 20 DF socket contacts.

Corporate Information

[About TE](#)
[Investors](#)
[News Room](#)

Quick Links

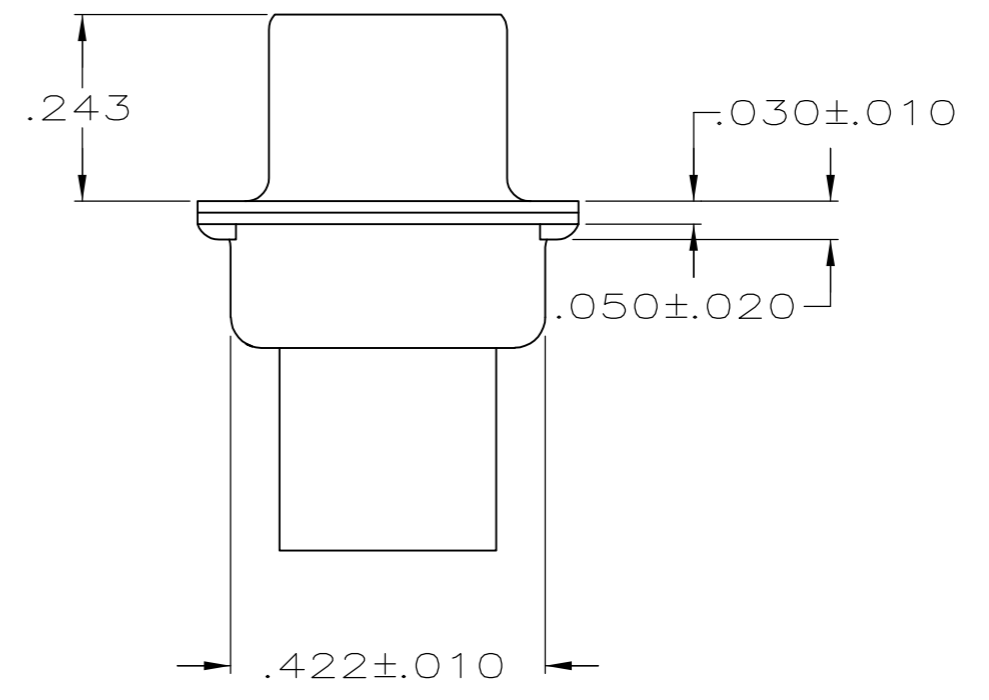
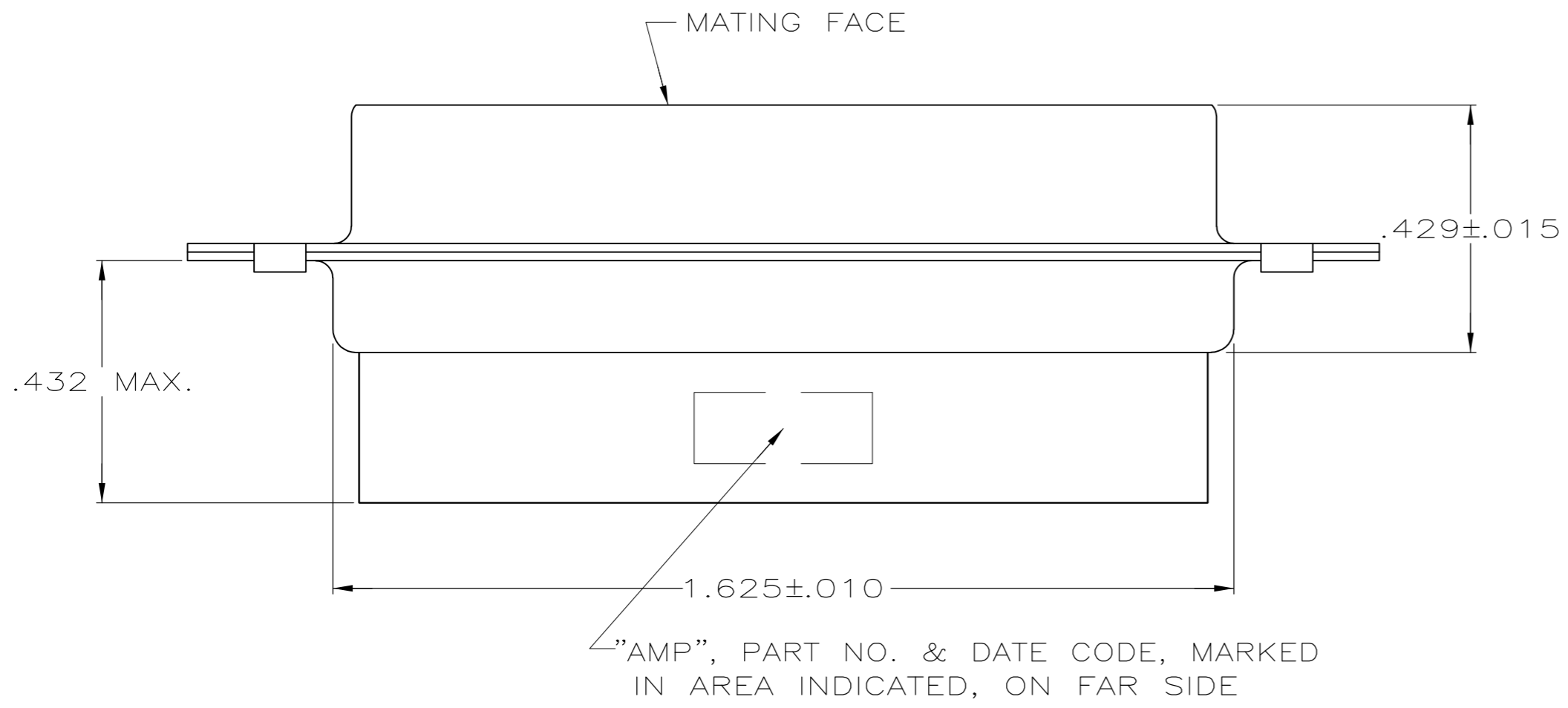
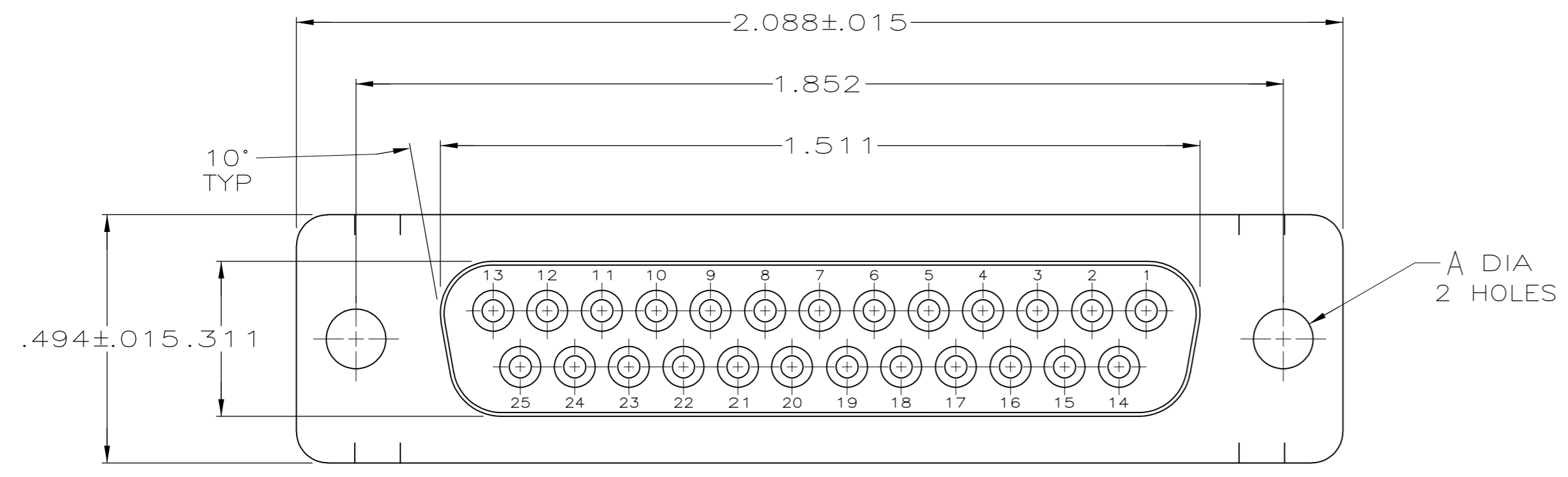
[Distributor Inventory](#)
[Product Cross Reference](#)
[Documents & Drawings](#)

Customer Support

[Email or Chat With Us](#)
[Find a Phone Number](#)
[Knowledge Base](#)

THIS DRAWING IS UNPUBLISHED. RELEASED FOR PUBLICATION
 © COPYRIGHT - By - ALL RIGHTS RESERVED.

LOC		DIST		REVISIONS			
P	LTR	DESCRIPTION		DATE	DWN	APVD	
GP	00	D1	REVISED PER ECO-11-004835		11MAR11	RK	HMR



- CONNECTOR ACCEPTS SIZE 20 DF SOCKET CONTACTS, RETENTION TINES ARE AN INTEGRAL PART OF INSERT.
- CONNECTOR COMPLIES WITH 108-40005 WHERE APPLICABLE.
- NYLON, FLAME RETARDANT, 94V-0 RATED, GLASS FILLED, BLACK.
- STEEL PER ASTM A109.
- TIN OR TIN-LEAD PLATED PER MIL-T-10727.
- TIN PLATED PER MIL-T-10727 OVER COPPER PER MIL-C-14550.

OBSOLETE	SMALL PACK	6	.120	207463-4
OBSOLETE	STANDARD	5	.154	207463-2
	STANDARD	6	.120	207463-1

THIS DRAWING IS A CONTROLLED DOCUMENT.		DWN	S.WELDON	7-19-85		TE Connectivity		
DIMENSIONS: INCHES		CHK	J.GERACE	7-29-85		RECEPTACLE CONNECTOR, SIZE 3, 25 POSITION, AMPLIMITE™ HDP		
TOLERANCES UNLESS OTHERWISE SPECIFIED:		APVD	L.BREKOSKY	7-29-85		SIZE	CAGE CODE	DRAWING NO
0 PLC ± - 1 PLC ± - 2 PLC ± - 3 PLC ± .005 4 PLC ± - ANGLES ± 2°		PRODUCT SPEC				A2	00779	C=207463
MATERIAL		FINISH	SHELLS: SEE TABLE		WEIGHT	RESTRICTED TO		
MOLDED PARTS: Δ				CUSTOMER DRAWING		SCALE	4:1	
SHELLS: Δ						SHEET	1 of 1	
						REV	D1	

THIS DRAWING IS A CONTROLLED DOCUMENT FOR AMP INCORPORATED. IT IS SUBJECT TO CHANGE AND THE CONTROLLING ENGINEERING ORGANIZATION SHOULD BE CONTACTED FOR THE LATEST REVISION.