

Distributed by:

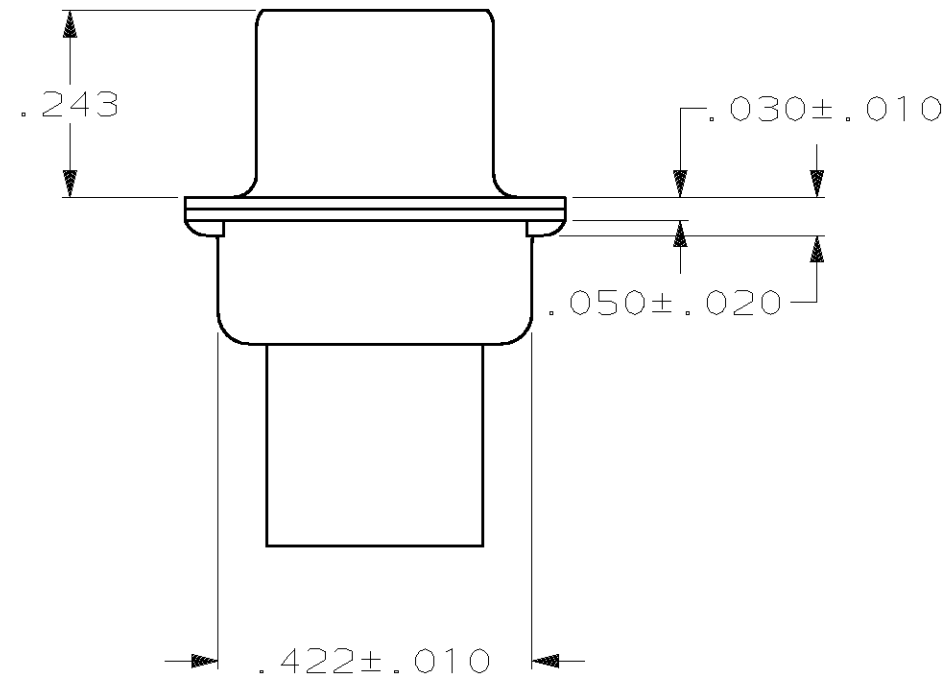
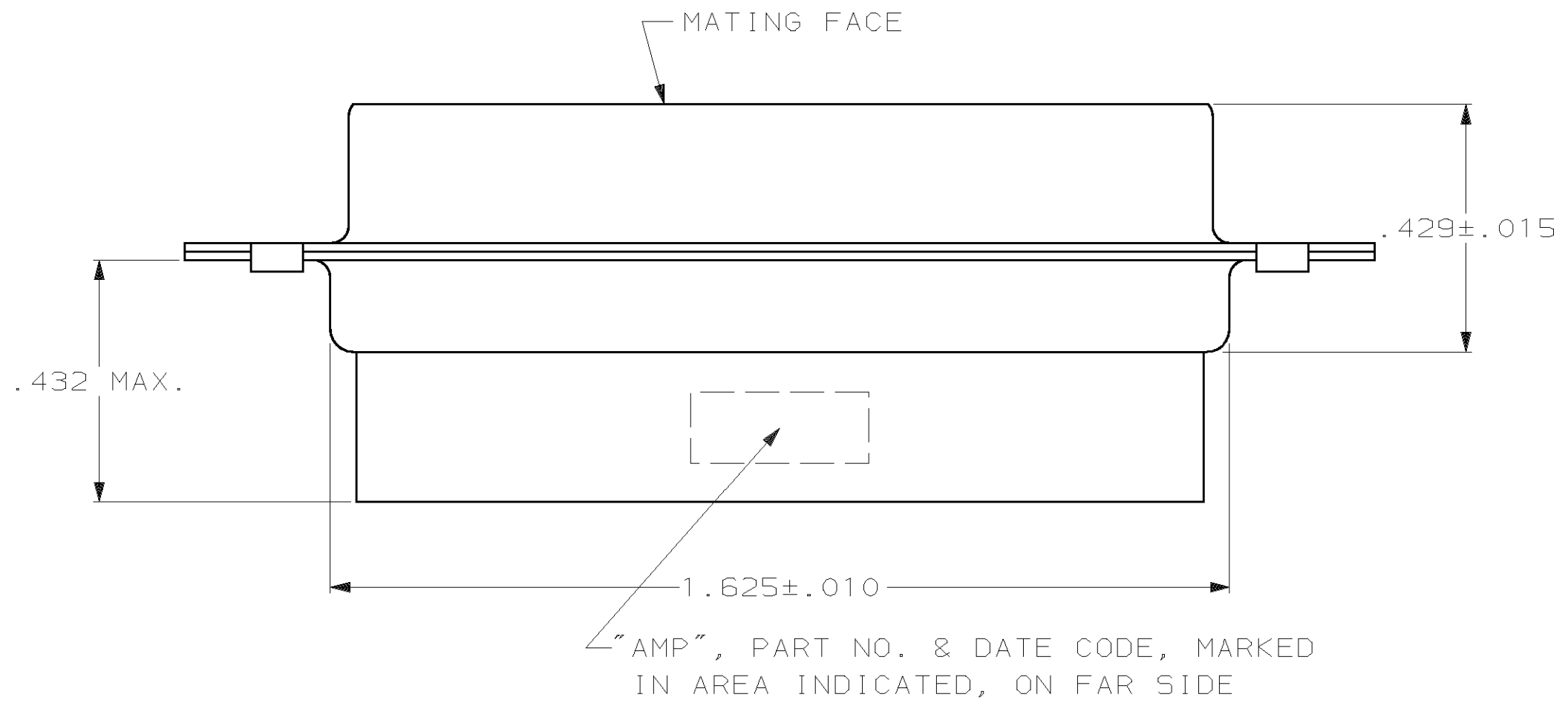
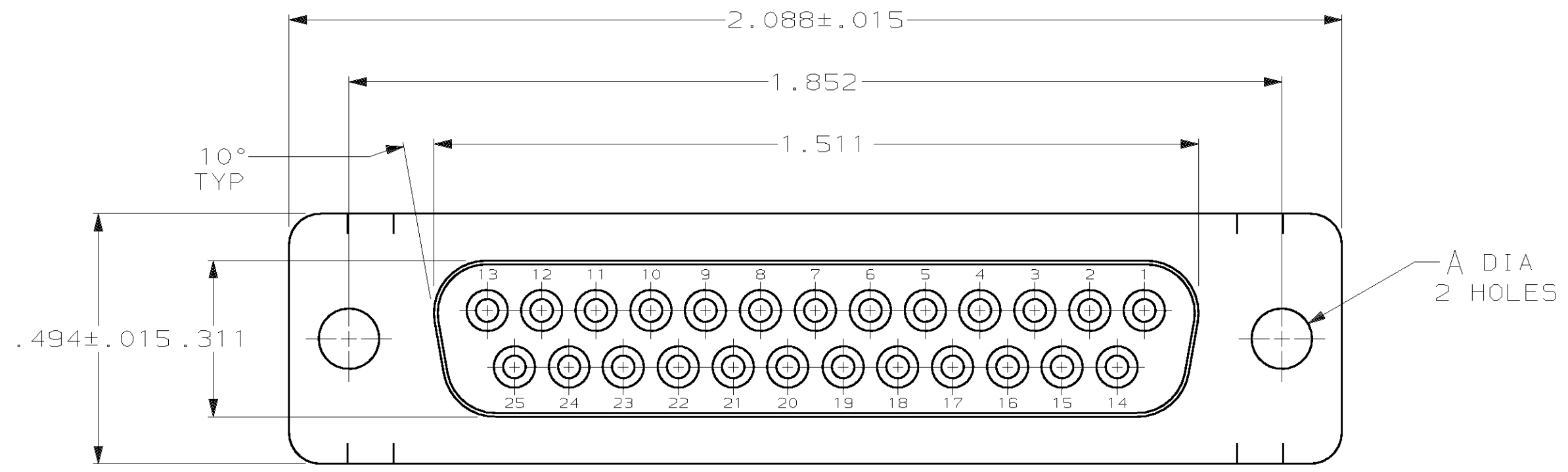
**JAMECO**<sup>®</sup>  
ELECTRONICS

**www.Jameco.com ♦ 1-800-831-4242**

The content and copyrights of the attached  
material are the property of its owner.

*Jameco Part Number 222922*

LOC		DIST		REVISIONS				DATE	APPD
P	F	ZONE	LTR	DESCRIPTION					
GP	00			D	REVISED PER EC 0513-0023-03			14MAY03	JG



- CONNECTOR ACCEPTS SIZE 20 DF SOCKET CONTACTS, RETENTION TINES ARE AN INTEGRAL PART OF INSERT.
- CONNECTOR COMPLIES WITH 108-40005 WHERE APPLICABLE.
- NYLON, FLAME RETARDANT, 94V-0 RATED, GLASS FILLED, BLACK.
- STEEL PER ASTM A109.
- TIN OR TIN-LEAD PLATED PER MIL-T-10727.
- TIN PLATED PER MIL-T-10727 OVER COPPER PER MIL-C-14550.

OBSELETE	SMALL PACK	△6	.120	207463-4
OBSELETE	STANDARD	△5	.154	207463-2
	STANDARD	△6	.120	207463-1
	PACKAGING TYPE	SHELL FINISH	A	PART NO

DO NOT SCALE PRINT. UNLESS SPECIFIED DIMENSIONS IN INCHES TOLERANCES ON : 2 PLC DEC ± - 3 PLC DEC ± .005 ANGLES ± 2°	DR 7-19-85 S.WELDON CHK 7-29-85 J.GERACE APPD 7-29-85 L.BREKOSKY APPD 7-31-85 V.KUMAR	AMP Incorporated Harrisburg, PA 17105-3608		
MATERIAL MOLDED PARTS: △3 SHELLS: △4	PRODUCT SPEC -	NAME RECEPTACLE CONNECTOR, SIZE 3, 25 POSITION, AMPLIMITE™ HDP		
FINISH SHELLS: SEE TABLE	APPLICATION SPEC -	SIZE C	CAGE CODE 00779	DRAWING NO C=207463
	WEIGHT -	SCALE 4:1		SHEET 1 OF 1

THIS DRAWING IS A CONTROLLED DOCUMENT FOR AMP INCORPORATED. IT IS SUBJECT TO CHANGE AND THE CONTROLLING ENGINEERING ORGANIZATION SHOULD BE CONTACTED FOR THE LATEST REVISION.