



Have a Question?
 Chat with a Product Information Specialist

What can we help you find?

[Products](#) |
 [Industries](#) |
 [Resources](#) |
 [About TE](#) |
 [My Account](#) |
 [Innovation](#) |
 [Support Center](#)

207485-1 Product Details

[Share](#) |
 [Print](#) |
 [Email](#)



207485-1

TE Internal Number: 207485-1

Active

View 3D PDF

CPC (Circular Plastic) and Circular Metal-Shell Connectors

Always EU RoHS/ELV Compliant (Statement of Compliance)

Product Highlights:

- Housing
- Connector Style = Plug
- 16 Positions
- 12 Signal Positions
- 4 Power Positions

[View all Features](#)

Quick Links

- ▶ [Pricing & Availability](#)
- ▶ [Search for Tooling](#)
- ▶ [View Mating Products \(3\)](#)
- ▶ [Product Feature Selector](#)
- ▶ [Contact Us About This Product](#)

[Add to My Part List](#) |
 [Request Sample](#) |
 [Find Similar Products](#) |
 [Buy Product](#)

Documentation & Additional Information	
<p>Product Drawings:</p> <ul style="list-style-type: none"> • PLUG ASSEMBLY, SHELL SIZE 23, STANDARD SEX, SERIES 4... (PDF, English) <p>Catalog Pages/Data Sheets:</p> <ul style="list-style-type: none"> • AMP Circular Connectors for Commercial Signal & Powe... (PDF, English) <p>Product Specifications:</p> <ul style="list-style-type: none"> • Connector, Circular Plastic (PDF, English) <p>Application Specifications:</p> <ul style="list-style-type: none"> • None Available <p>Instruction Sheets:</p> <ul style="list-style-type: none"> • Circular Plastic Connectors (CPC) (PDF, English) <p>CAD Files: (CAD Format & Compression Information)</p> <ul style="list-style-type: none"> • 2D Drawing (DXF, Version G1) • 3D Model (IGES, Version G1) • 3D Model (STEP, Version G1) 	<p>Additional Product Images:</p> <ul style="list-style-type: none"> • Contact Arrangement <p>Related Products:</p> <ul style="list-style-type: none"> • Tooling • Mating Products (3)

[List all Documents](#)

Product Features (Please use the Product Drawing for all design activity)	
<p>Product Type Features:</p> <ul style="list-style-type: none"> • Connector Type = Housing • Mount Angle = Straight • Shell Size = 23 • Shell Type = All Plastic • Product Series = Series 4 • Thread Size = 1-3/8 - 18 UNEF-2A • Sealed = No <p>Mechanical Attachment:</p> <ul style="list-style-type: none"> • Mount = Free Hanging • Mating Retention Type = Threaded Coupling <p>Dimensions:</p> <ul style="list-style-type: none"> • Insulation Diameter (Power Conductor) (mm [in]) = 5.59 [0.220] <p>Body Features:</p> <ul style="list-style-type: none"> • Insulation Diameter (Signal Conductor) (mm [in]) = 3.81 [0.150] <p>Contact Features:</p> <ul style="list-style-type: none"> • Contact Type = Socket • Reverse Gender = Standard <p>Housing Features:</p> <ul style="list-style-type: none"> • Connector Style = Plug 	<p>Configuration Features:</p> <ul style="list-style-type: none"> • Number of Positions = 16 • Number of Signal Positions = 12 • Number of Power Positions = 4 • Environmental Protection = Without • Reverse Numbering = Without <p>Industry Standards:</p> <ul style="list-style-type: none"> • VDE Tested = No • RoHS/ELV Compliance = RoHS compliant, ELV compliant • Lead Free Solder Processes = Not relevant for lead free process • RoHS/ELV Compliance History = Always was RoHS compliant <p>Environmental:</p> <ul style="list-style-type: none"> • Fluid Resistance = None <p>Other:</p> <ul style="list-style-type: none"> • Brand = AMP

- Mating Alignment Type = Keyed
- Housing Material = Nylon 6/6 GF
- Housing Color = Black
- UL Flammability Rating = UL 94V-0

Corporate Information

- [About TE](#)
- [Investors](#)
- [News Room](#)
- [Supplier Portal](#)
- [Careers](#)
- [Terms & Conditions](#)
- [Privacy Policy](#)

Quick Links

- [Distributor Inventory](#)
- [Product Cross Reference](#)
- [Documents & Drawings](#)
- [Product Compliance Support Center](#)
- [Site Map](#)

Customer Support

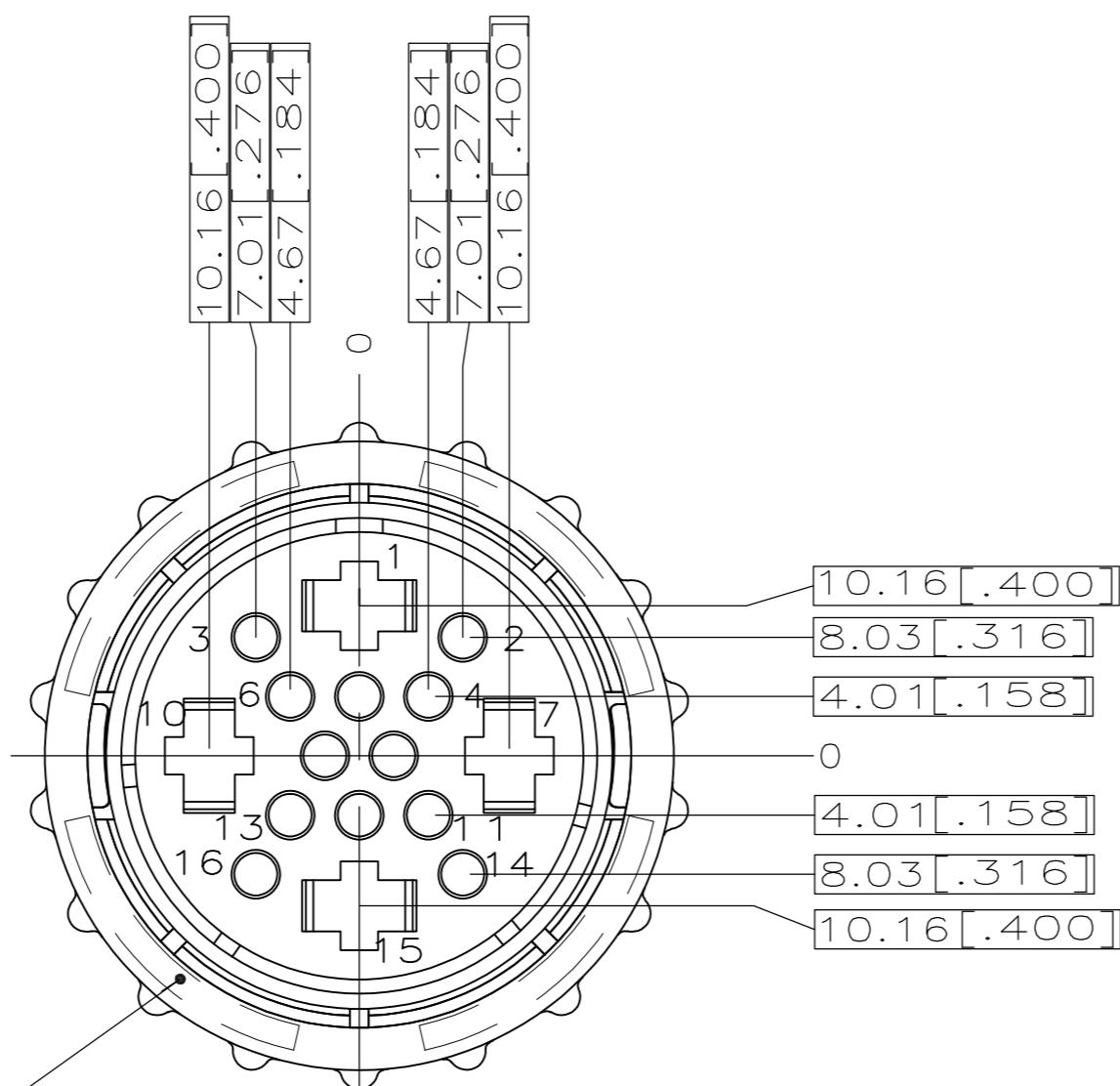
- [Email or Chat With Us](#)
- [Find a Phone Number](#)
- [Knowledge Base](#)
- [Manage Your Account](#)

Keep Me Informed



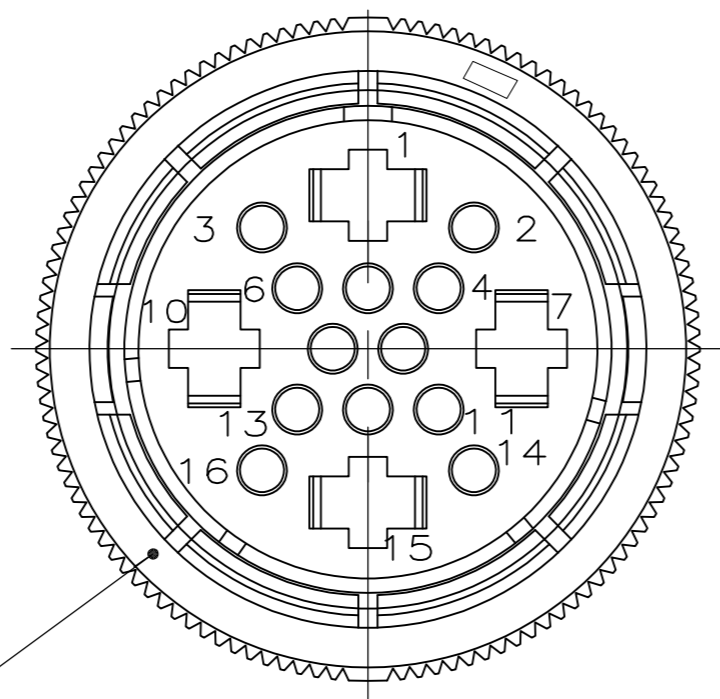
THIS DRAWING IS UNPUBLISHED. RELEASED FOR PUBLICATION
 © COPYRIGHT - By - ALL RIGHTS RESERVED.

LOC		DIST		REVISIONS			
P	LTR	DESCRIPTION	DATE	DWN	APVD		
FT	4	G2	REVISED PER ECO-11-004820	11MAR11	RK	HMR	

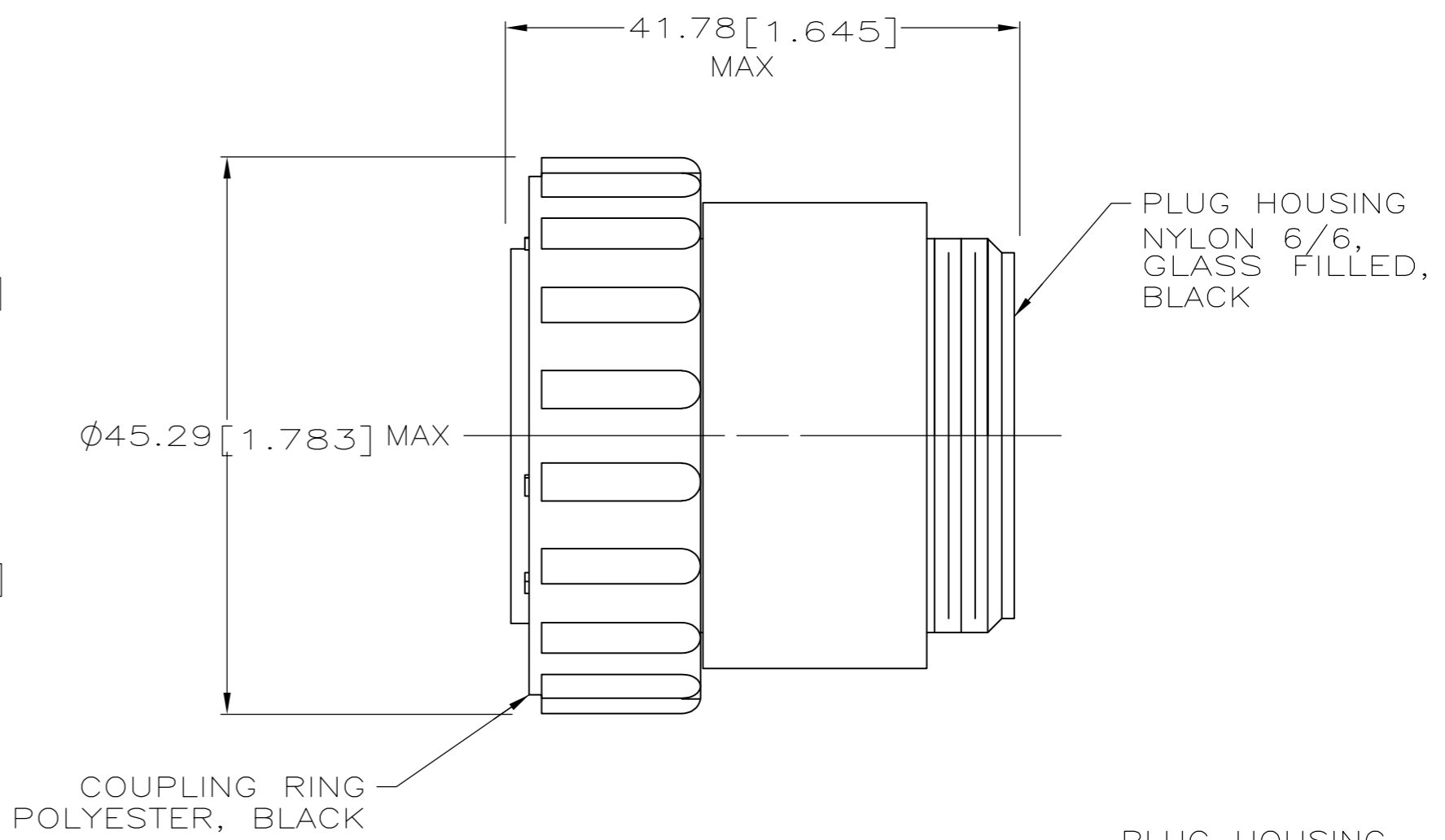


AMP PART NO
THIS SURFACE

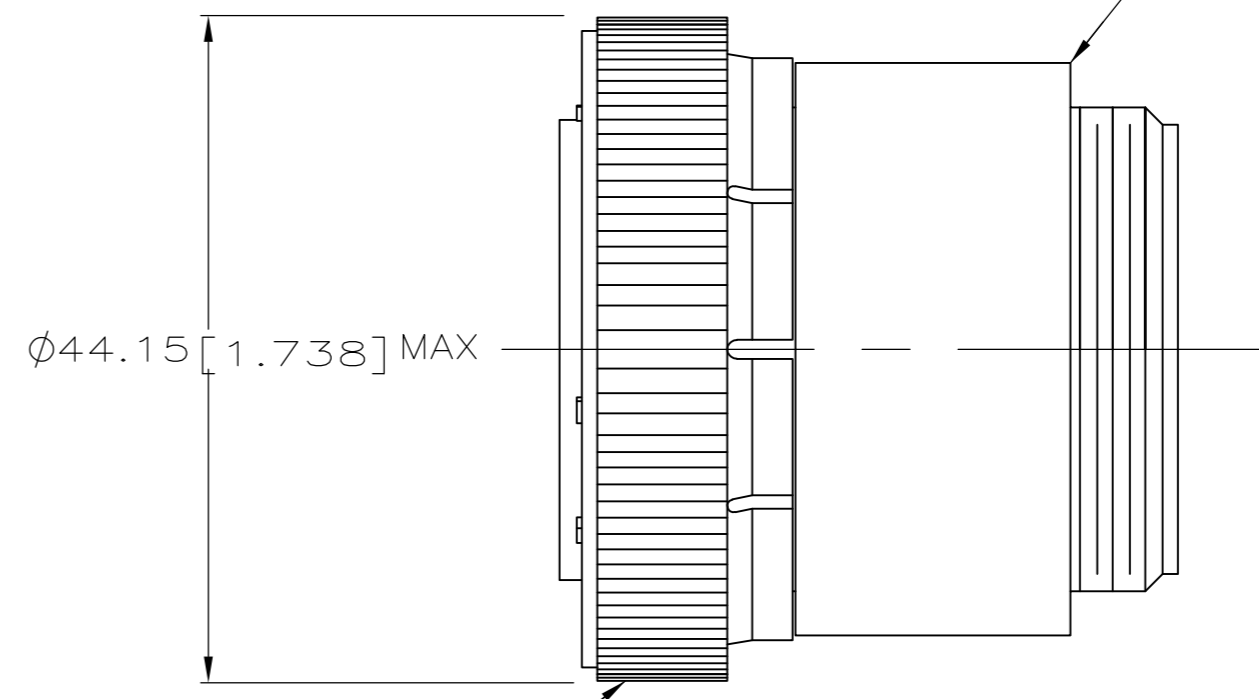
(-1 ONLY)



(-2 ONLY)



PLUG HOUSING
NYLON 6/6,
GLASS FILLED,
BLACK



- 1 WILL ACCEPT (12) MULTIMATE & (4) TYPE XII SOCKET CONTACTS.
- 2 THIS CONNECTOR WILL ACCEPT INSULATION DIAMETERS UP TO .150.
- 3 CONTACT CAVITIES IDENTIFIED BY CHARACTERS ON FRONT AND REAR FACES OF CONNECTOR.

THIS DRAWING IS A CONTROLLED DOCUMENT.		DWN S. RIDGLEY BG 31 JUL 90	TE Connectivity																			
DIMENSIONS: mm [INCHES]		CHK R. STONE 26 APR 91																				
TOLERANCES UNLESS OTHERWISE SPECIFIED:		APVD K. BEAVER 03 APR 91	NAME PLUG ASSEMBLY, SHELL SIZE 23, STANDARD SEX, SERIES 4, CPC																			
<table border="1"> <tr><td>0 PLC</td><td>±</td><td>-</td></tr> <tr><td>1 PLC</td><td>±</td><td>-</td></tr> <tr><td>2 PLC</td><td>±</td><td>-</td></tr> <tr><td>3 PLC</td><td>±</td><td>-</td></tr> <tr><td>4 PLC</td><td>±</td><td>-</td></tr> <tr><td>4 PLC ANGLES</td><td>±</td><td>-</td></tr> </table>		0 PLC	±	-	1 PLC	±	-	2 PLC	±	-	3 PLC	±	-	4 PLC	±	-	4 PLC ANGLES	±	-	PRODUCT SPEC 108-10024	SIZE A2	CAGE CODE 00779
0 PLC	±	-																				
1 PLC	±	-																				
2 PLC	±	-																				
3 PLC	±	-																				
4 PLC	±	-																				
4 PLC ANGLES	±	-																				
MATERIAL SEE CALLOUT		FINISH -	WEIGHT -	DRAWING NO C=207485																		
CUSTOMER DRAWING			SCALE 2:1	SHEET 1 of 1																		
			RESTRICTED TO -	REV G2																		