

### CPC Connectors, Series 4, Standard Sex



Listed part numbers are for connectors only; **contacts must be ordered separately.**

#### Material

**Housing**—Thermoplastic, 94V-0 rated, black; 23-9M – Nylon 6/6, glass filled, black

#### Related Product Data

**Contacts**—Pages 16-20 and 33-34

**Contact Arrangements**—Below

**Accessories**—Pages 37-41

**Performance Characteristics**—Page 6

**Application Tooling**—Pages 75-78

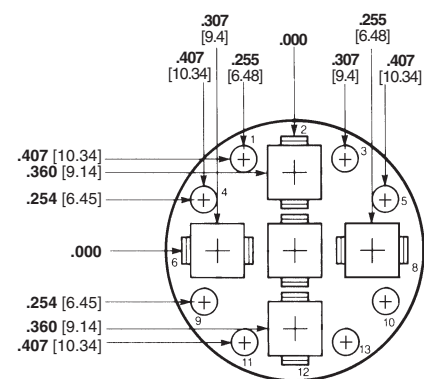
**Technical Documents**—Page 79

#### Replacement Coupling Ring

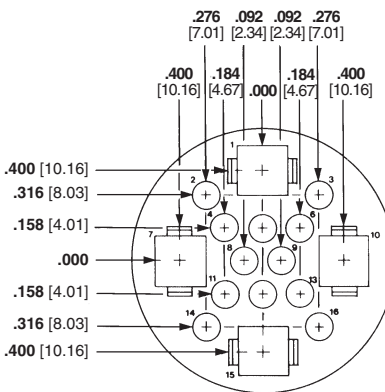
Shell Size	Part No.
23	213812-1

#### Contact Arrangements, Series 4 Shell Size 23

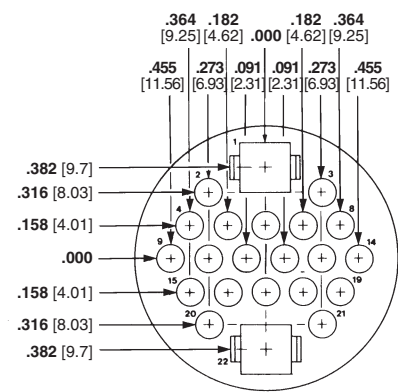
**Note:** Contact arrangements shown are of pin mating face (plug or receptacle). Socket mating face is mirror image.



**Arrangement 23-13M**  
Max. Wire Ins. Dia. =  
.150 [3.81] for Multimate Contacts,  
.220 [5.59] for Power Contacts



**Arrangement 23-16M**  
Max. Wire Ins. Dia. =  
.150 [3.81] for Multimate Contacts,  
.220 [5.59] for Power Contacts



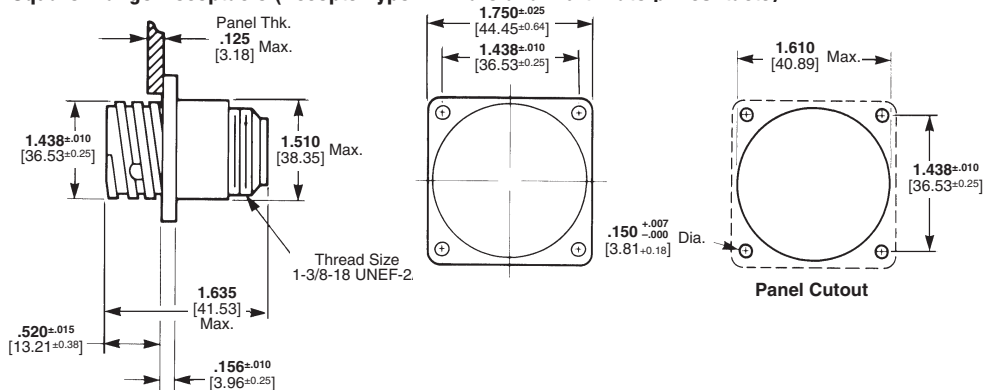
**Arrangement 23-22M**  
Max. Wire Ins. Dia. =  
.150 [3.81] for Multimate Contacts,  
.220 [5.59] for Power Contacts

Circular Connectors for Commercial Signal and Power Applications

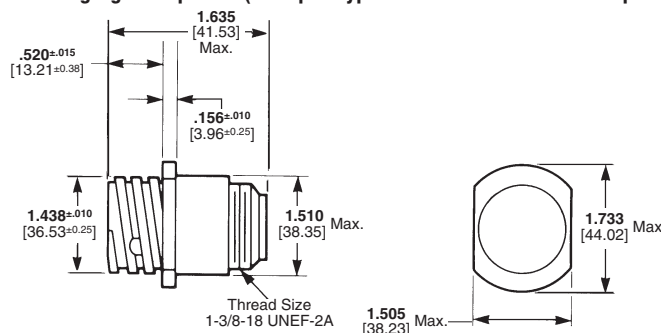
**Note:** All part numbers are RoHS Compliant.

## Circular Plastic Connectors, Series 4

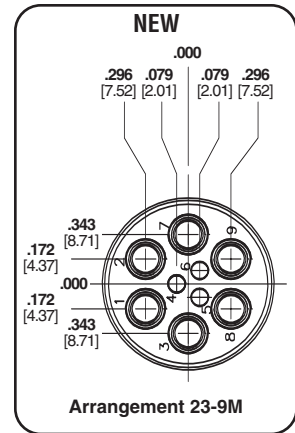
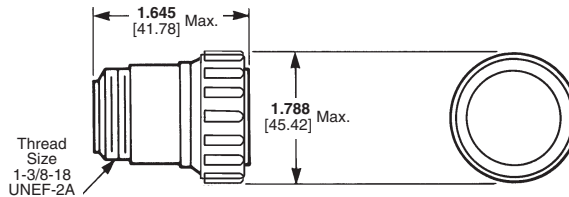
### Square Flange Receptacle (Accepts Type XII Male and Multimate pin contacts)



### Free-Hanging Receptacle (Accepts Type XII Male and Multimate pin contacts)



### Plug (Accepts Type XII Female and Multimate socket contacts)



Arrangement	No. of Cavities		Square Flange Receptacle	Free-Hanging Receptacle	Plug
	Power	Multimate			
23-9M	6 (POWERBAND)	3	1776247-2 <sup>1</sup>	—	206136-4
23-13M	5 (Type XII)	8	211825-1	211825-2	211824-1
23-16M	4 (Type XII)	12	207486-1	207486-2	207485-1
23-22M	2 (Type XII)	20	206613-1	206613-3	206612-1

<sup>1</sup>Four 4-40 threaded inserts per receptacle.

**Note:** Maximum wire insulation diameter is .150 [3.81] for Multimate contacts; .220 [5.59] for Power contacts.