



**Have a Question?**  
 Chat with a Product  
 Information Specialist

What can we help you find?

[Products](#) | 
 [Industries](#) | 
 [Resources](#) | 
 [About TE](#) | 
 [My Account](#) | 
 [Innovation](#) | 
 [Support Center](#)

## 207486-1 Product Details

[Share](#) | 
 [Print](#) | 
 [Email](#)



**207486-1**

TE Internal Number: 207486-1

Active

View 3D PDF

### CPC (Circular Plastic) and Circular Metal-Shell Connectors

Always EU RoHS/ELV Compliant (Statement of Compliance)

**Product Highlights:**

- Housing
- Connector Style = Receptacle
- 16 Positions
- 12 Signal Positions
- 4 Power Positions

[View all Features](#)

### Quick Links

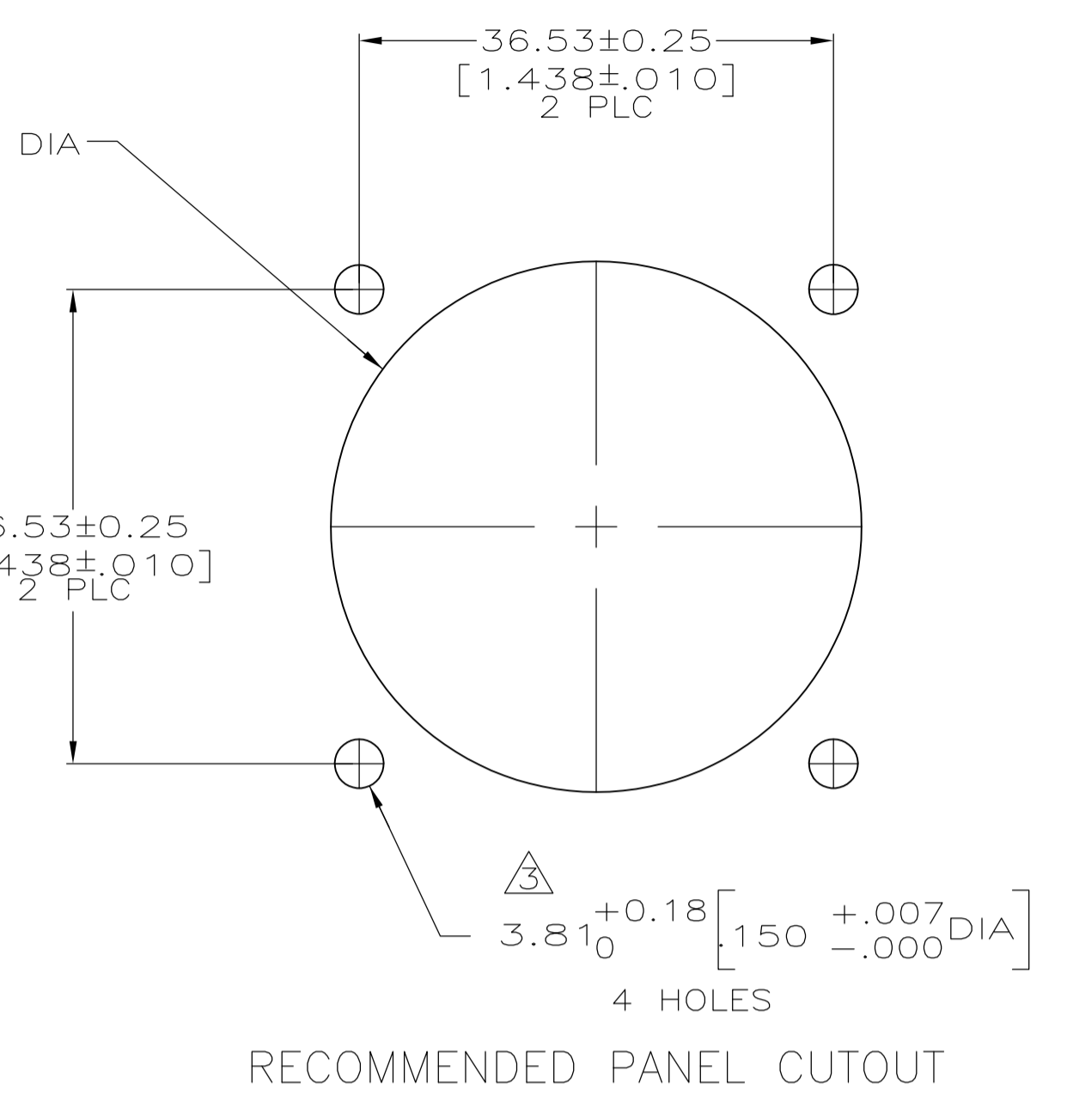
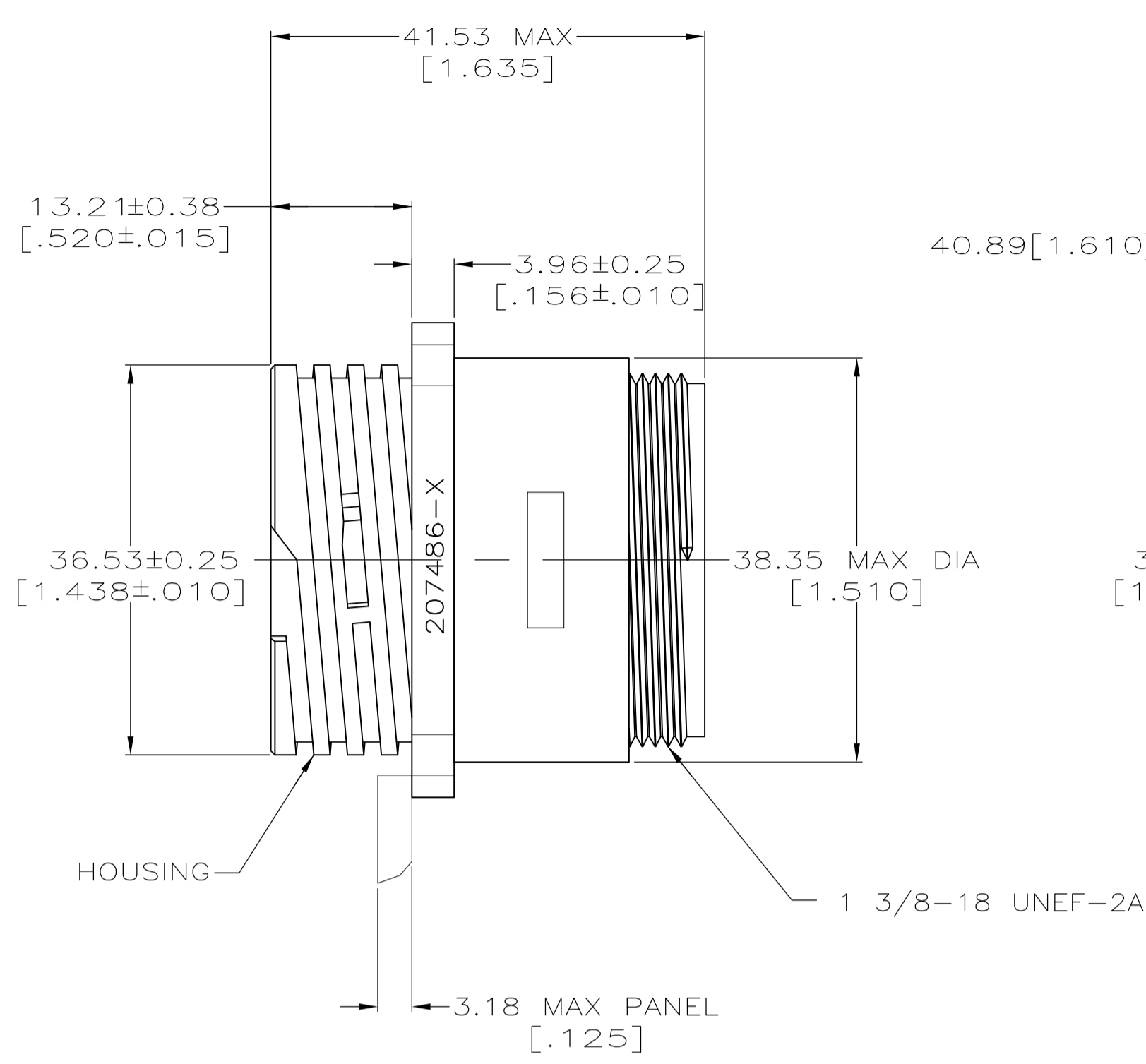
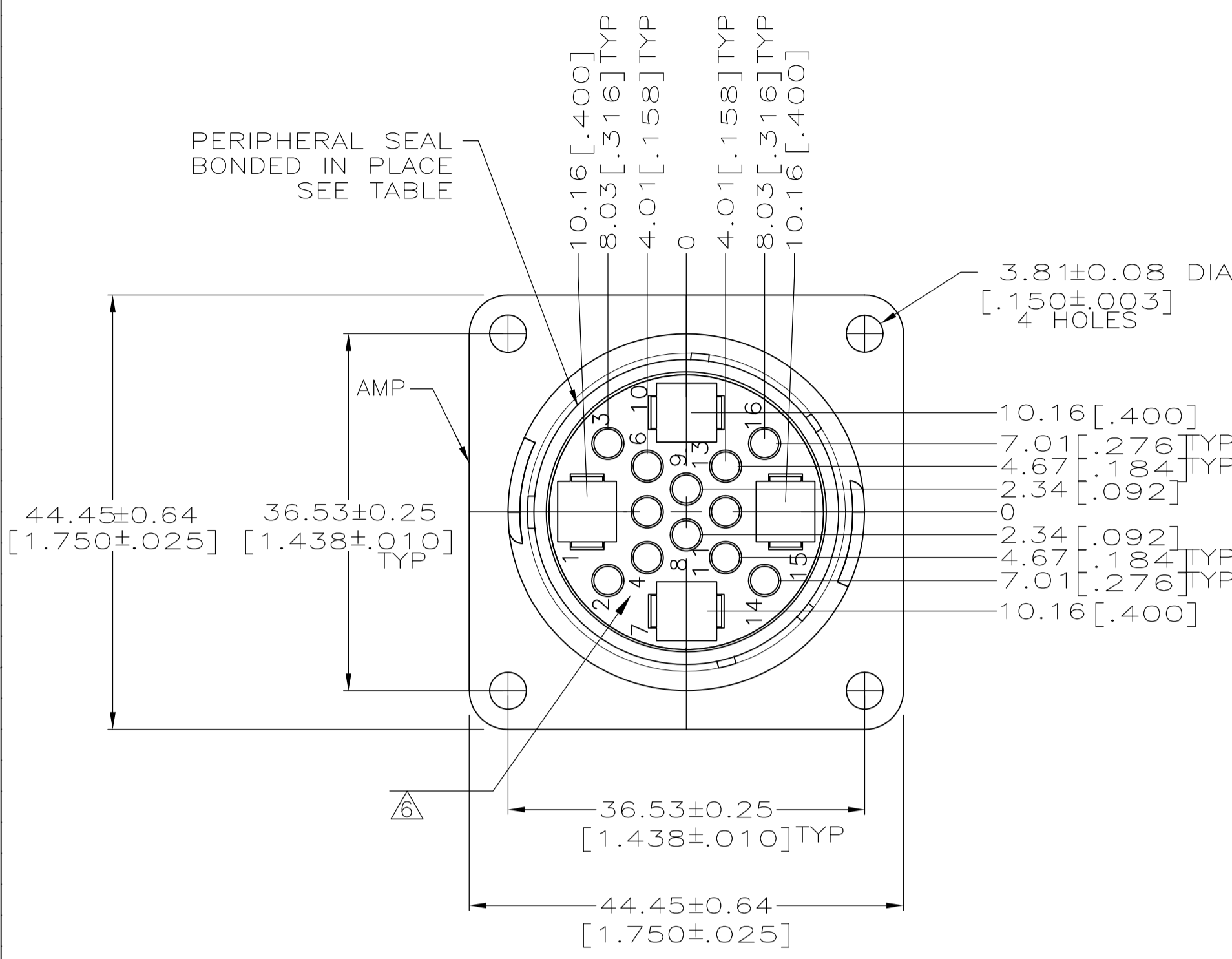
- ▶ [Pricing & Availability](#)
- ▶ [Search for Tooling](#)
- ▶ [View Mating Products \(2\)](#)
- ▶ [Product Feature Selector](#)
- ▶ [Contact Us About This Product](#)

[Add to My Part List](#) | 
 [Request Sample](#) | 
 [Find Similar Products](#) | 
 [Buy Product](#)

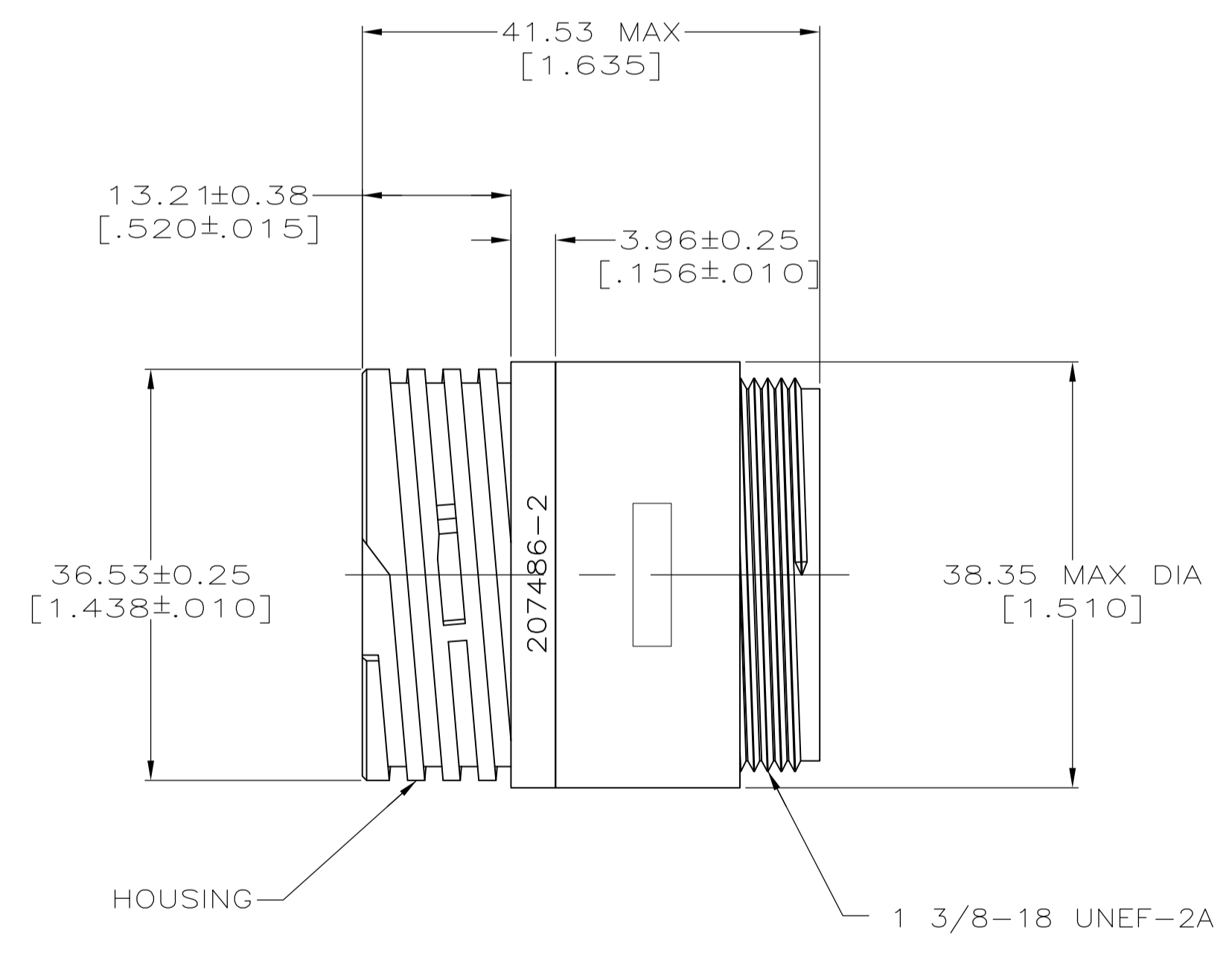
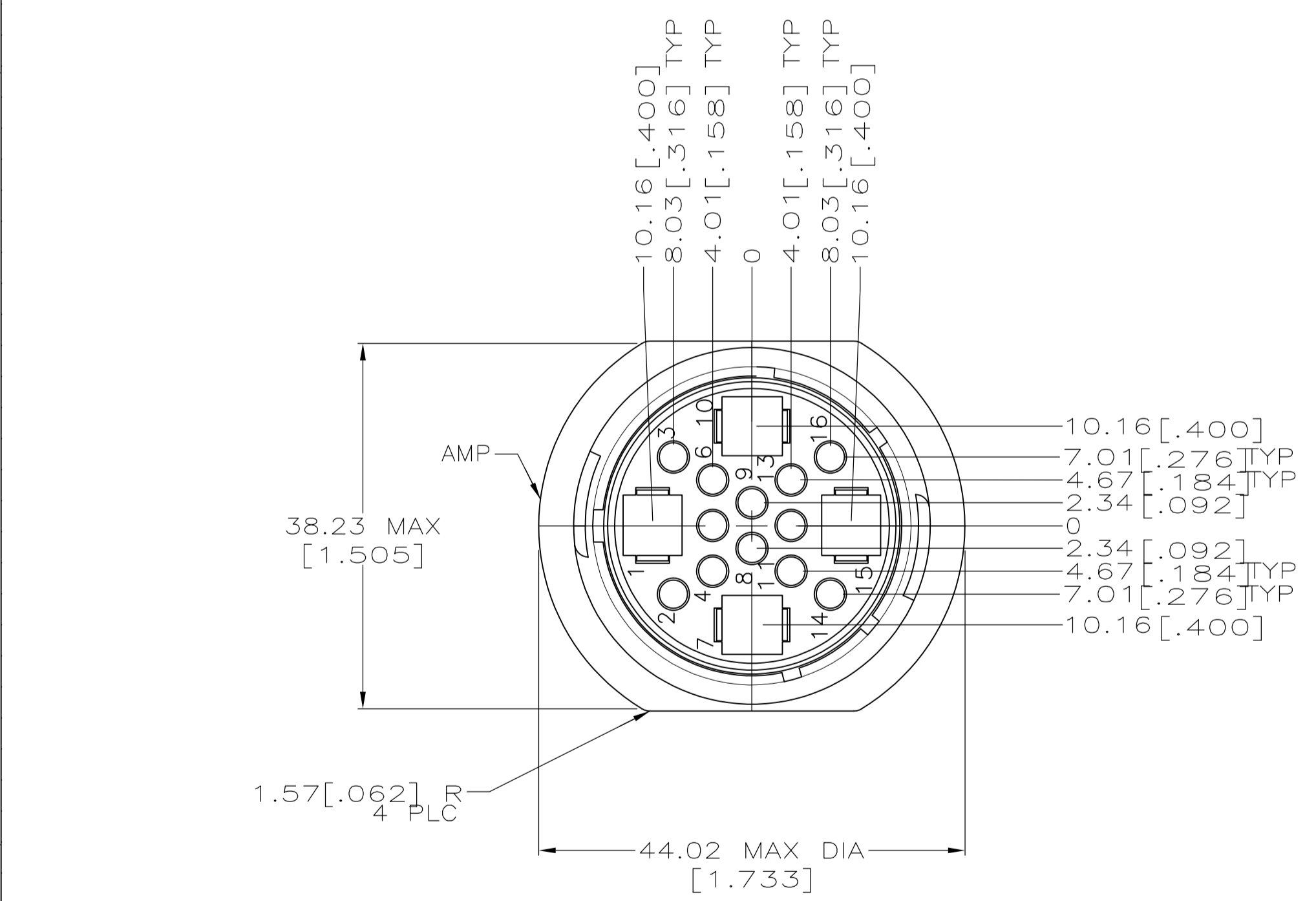
Documentation & Additional Information	
<p><b>Product Drawings:</b></p> <ul style="list-style-type: none"> <li>• <a href="#">RECEPTACLE HOUSING, STANDARD SEX, SHELL SIZE 23, CPC</a> (PDF, English)</li> </ul> <p><b>Catalog Pages/Data Sheets:</b></p> <ul style="list-style-type: none"> <li>• <a href="#">AMP Circular Connectors for Commercial Signal &amp; Powe...</a> (PDF, English)</li> </ul> <p><b>Product Specifications:</b></p> <ul style="list-style-type: none"> <li>• <a href="#">Connector, Circular Plastic</a> (PDF, English)</li> </ul> <p><b>Application Specifications:</b></p> <ul style="list-style-type: none"> <li>• None Available</li> </ul> <p><b>Instruction Sheets:</b></p> <ul style="list-style-type: none"> <li>• <a href="#">Circular Plastic Connectors (CPC)</a> (PDF, English)</li> </ul> <p><b>CAD Files:</b> (CAD Format &amp; Compression Information)</p> <ul style="list-style-type: none"> <li>• <a href="#">2D Drawing</a> (DXF, Version P1)</li> <li>• <a href="#">3D Model</a> (IGES, Version P1)</li> <li>• <a href="#">3D Model</a> (STEP, Version P1)</li> </ul>	<p><b>Additional Product Images:</b></p> <ul style="list-style-type: none"> <li>• <a href="#">Contact Arrangement</a></li> <li>• <a href="#">Front View</a></li> </ul> <p><b>Related Products:</b></p> <ul style="list-style-type: none"> <li>• <a href="#">Tooling</a></li> <li>• <a href="#">Mating Products (2)</a></li> </ul>

[List all Documents](#)

Product Features (Please use the Product Drawing for all design activity)	
<p><b>Product Type Features:</b></p> <ul style="list-style-type: none"> <li>• Connector Type = Housing</li> <li>• Mount Angle = Straight</li> <li>• Shell Size = 23</li> <li>• PCB Mount Retention = Without</li> <li>• Shell Type = All Plastic</li> <li>• Product Series = Series 4</li> <li>• Thread Size = 1-3/8 - 18 UNEF-2A</li> <li>• Sealed = No</li> </ul> <p><b>Mechanical Attachment:</b></p> <ul style="list-style-type: none"> <li>• Mount = Panel</li> <li>• Mating Retention Type = Threaded Coupling</li> </ul> <p><b>Dimensions:</b></p> <ul style="list-style-type: none"> <li>• Insulation Diameter (Power Conductor) (mm [in]) = 5.59 [0.220]</li> </ul> <p><b>Body Features:</b></p> <ul style="list-style-type: none"> <li>• Mount Style = Flange with Mounting Holes</li> <li>• Insulation Diameter (Signal Conductor) (mm [in]) = 3.81 [0.150]</li> </ul> <p><b>Contact Features:</b></p> <ul style="list-style-type: none"> <li>• Contact Type = Pin</li> <li>• Reverse Gender = Standard</li> </ul>	<p><b>Housing Features:</b></p> <ul style="list-style-type: none"> <li>• Connector Style = Receptacle</li> <li>• Mating Alignment Type = Keyed</li> <li>• Housing Material = Thermoplastic - GF</li> <li>• Housing Color = Black</li> <li>• UL Flammability Rating = UL 94V-0</li> </ul> <p><b>Configuration Features:</b></p> <ul style="list-style-type: none"> <li>• Number of Positions = 16</li> <li>• Number of Signal Positions = 12</li> <li>• Number of Power Positions = 4</li> <li>• Environmental Protection = Without</li> <li>• Reverse Numbering = Without</li> </ul> <p><b>Industry Standards:</b></p> <ul style="list-style-type: none"> <li>• VDE Tested = No</li> <li>• RoHS/ELV Compliance = RoHS compliant, ELV compliant</li> <li>• Lead Free Solder Processes = Not relevant for lead free process</li> <li>• RoHS/ELV Compliance History = Always was RoHS compliant</li> </ul> <p><b>Environmental:</b></p> <ul style="list-style-type: none"> <li>• Fluid Resistance = None</li> </ul> <p><b>Other:</b></p> <ul style="list-style-type: none"> <li>• Brand = AMP</li> </ul>



DETAIL A



DETAIL B

- WILL ACCEPT (12) MULTIMATE AND (4) TYPE XII PIN CONTACTS.
  - CAVITY IDENTIFICATION ON FRONT AND REAR FACE.
  - NO. 4 FASTENERS RECOMMENDED FOR MOUNTING.
  - THIS CONNECTOR WILL ACCEPT INSULATION DIAMETERS UP TO 3.81 [.150].
- HOUSING: NYLON, BLACK.
  - PERIPHERAL SEAL: ELASTOMER, GRAY.
  - PERMANENT WHITE MARKED OR WHITE INK STAMPED CAVITY IDENTIFICATION.
  - HOUSING: NYLON, RED.
  - PERIPHERAL SEAL: ELASTOMER, GRAY.
  - WHITE DOT NEAR POSITION 1 ON WIRE ENTRY FACE.

PRELIMINARY	△/△	-	YES	A	1-207486-1
PRELIMINARY	△/△	-	YES	A	207486-9
PRELIMINARY	△/△	-	YES	A	207486-7
	△/△	4	YES	A	207486-6
	△/△	-	YES	A	207486-5
	△/△	-	NO	B	207486-2
	△/△	-	NO	A	207486-1
NOTES	THREADED INSERTS	PERIPHERAL SEAL	SEE DETAIL	PART NUMBER	

THIS DRAWING IS A CONTROLLED DOCUMENT.

DIMENSIONS: INCHES	TOLERANCES UNLESS OTHERWISE SPECIFIED:	DIN M. BINNER 05/26/94	CHK R. STONE 6-23-94	NAME
0 PLC ± -	1 PLC ± -	2 PLC ± 0.13 [.005]	3 PLC ± -	4 PLC ± -
ANGLES	FINISH	APVD	PRODUCT SPEC 108-10024	APPLICATION SPEC
MATERIAL	FINISH	WEIGHT	SIZE A1	CAGE CODE 00779
			DRAWING NO. C=207486	RESTRICTED TO
			CUSTOMER DRAWING	SCALE 2:1 SHEET 1 OF 1 REV P2

**STE** TE Connectivity  
RECEPTACLE HOUSING, STANDARD SEX, SHELL SIZE 23, CPC