

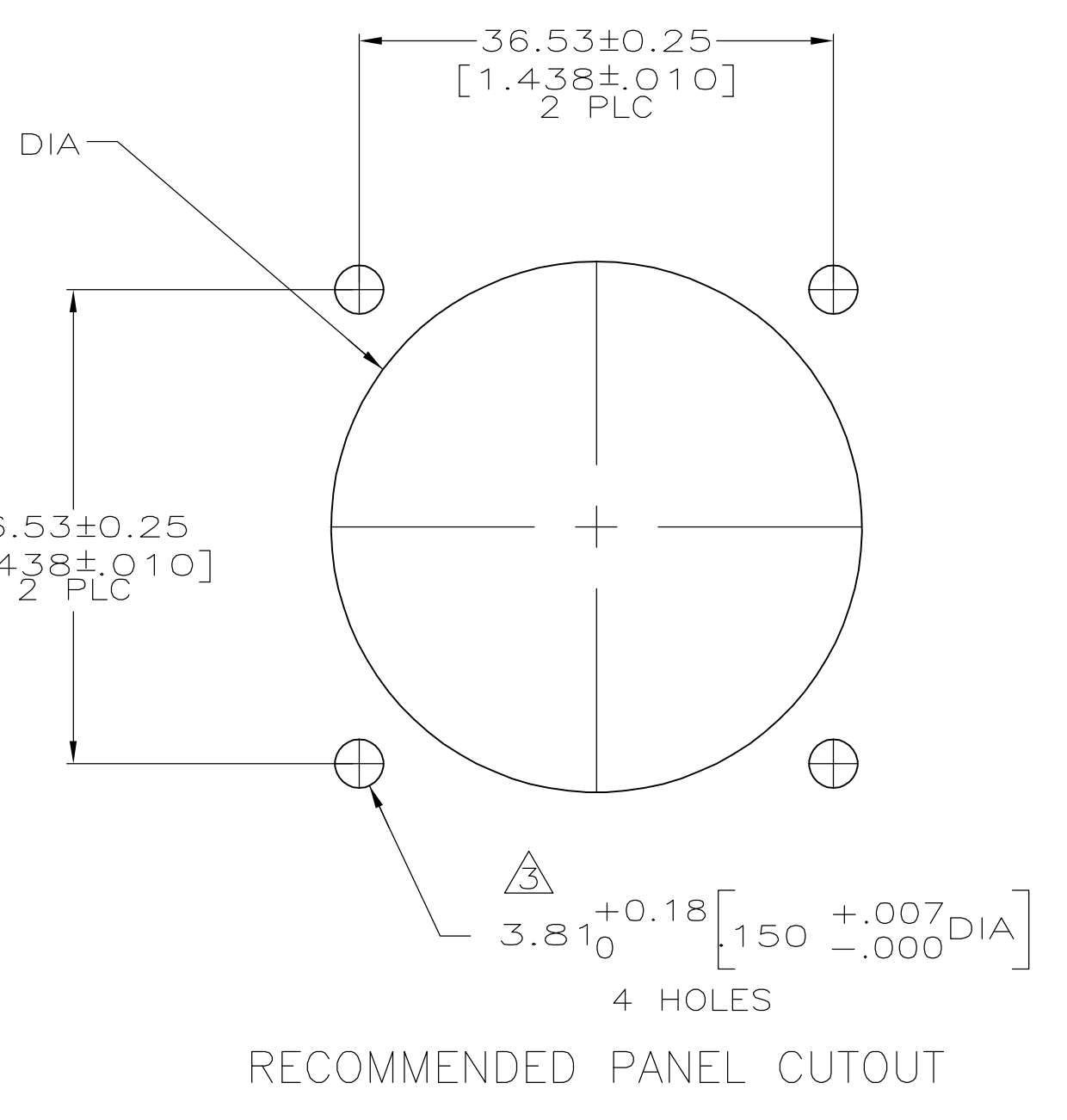
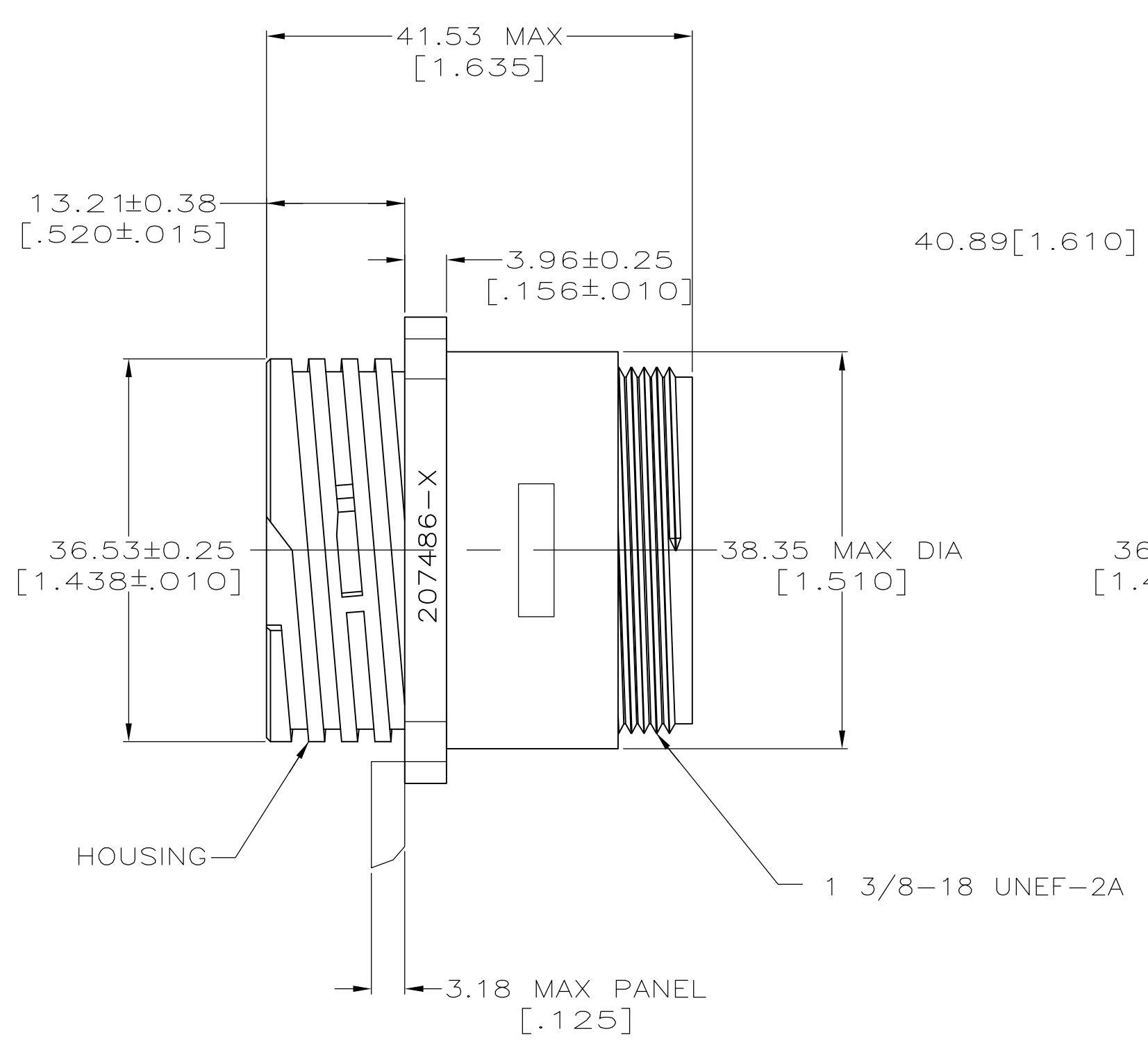
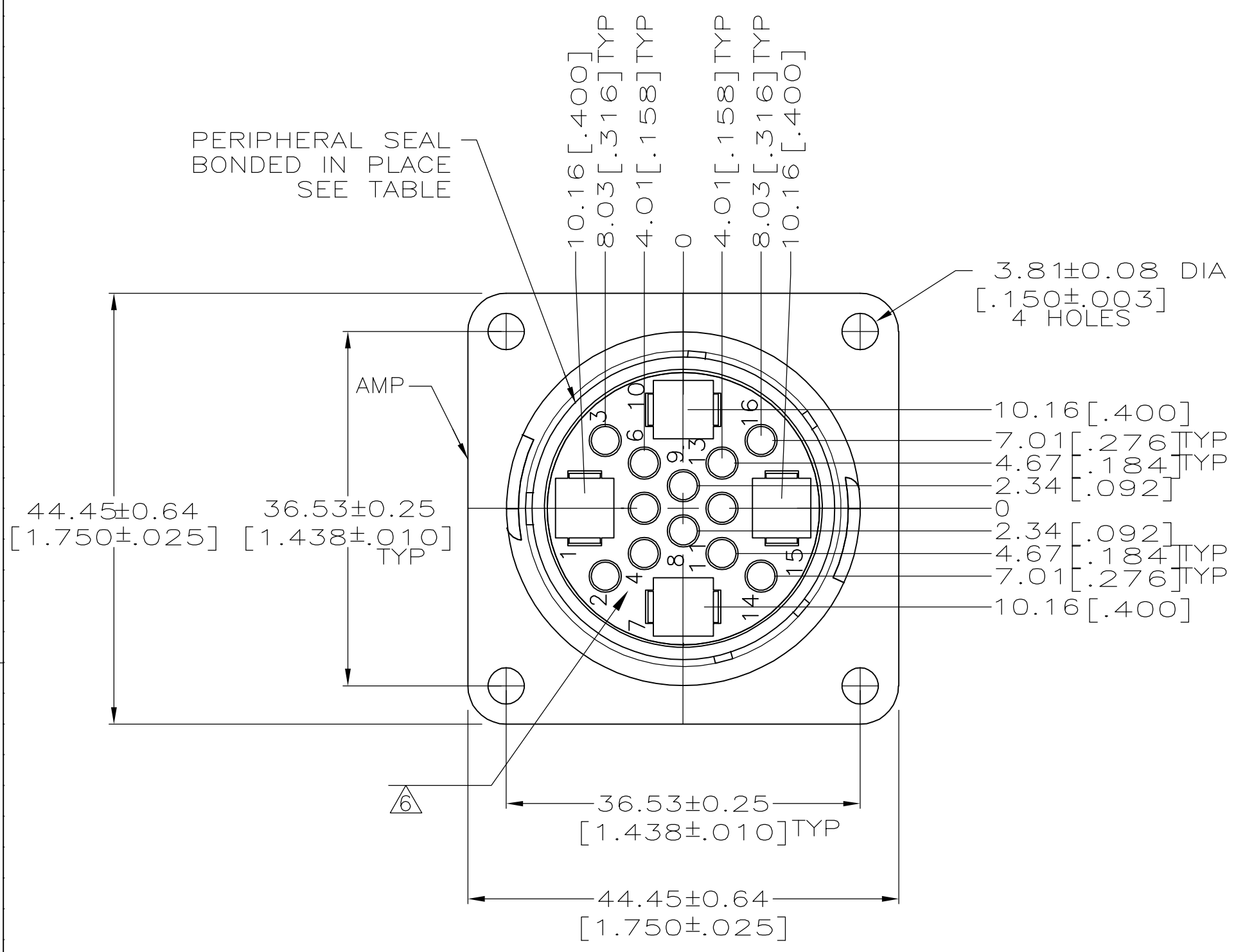
Distributed by:

JAMECO[®]
ELECTRONICS

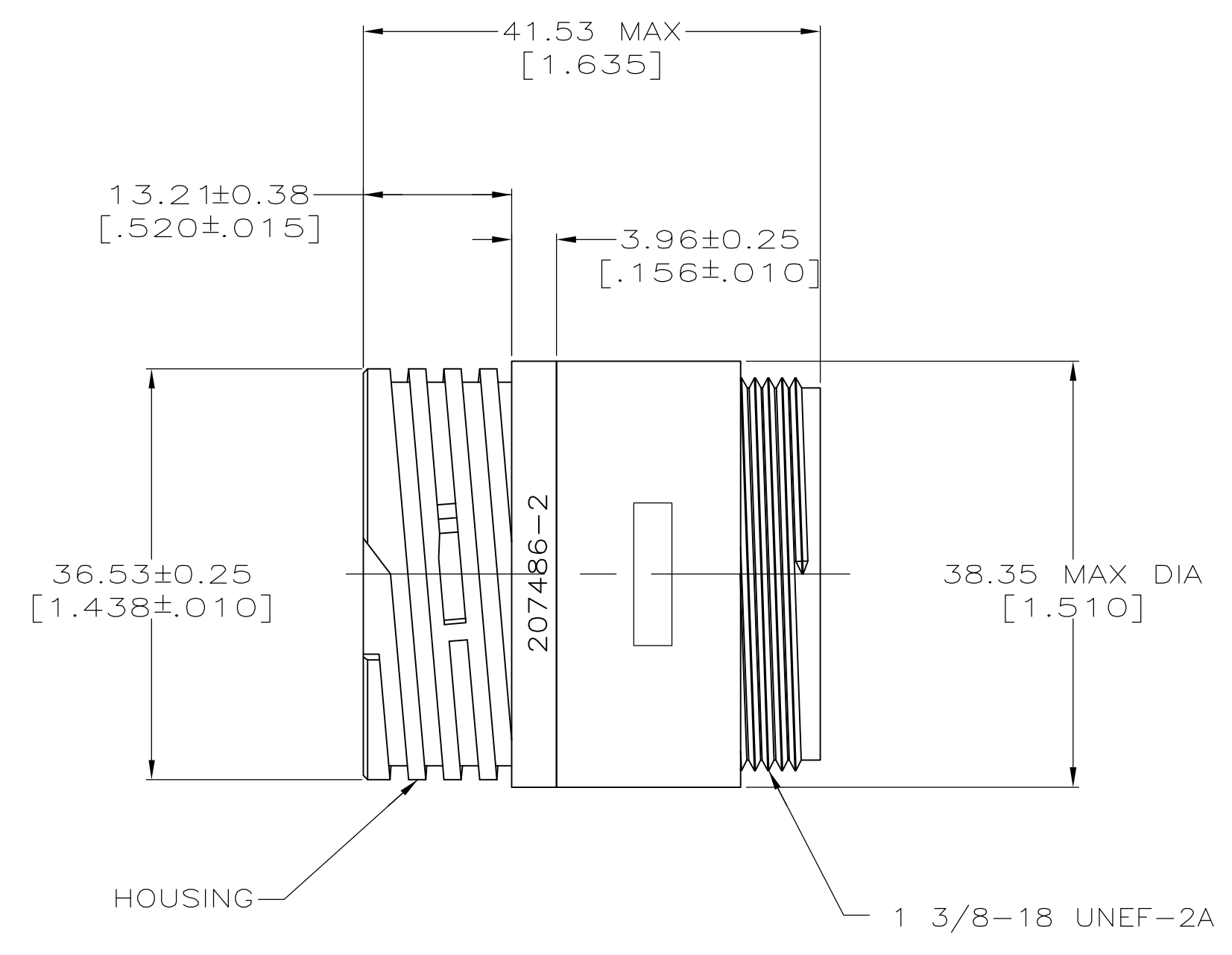
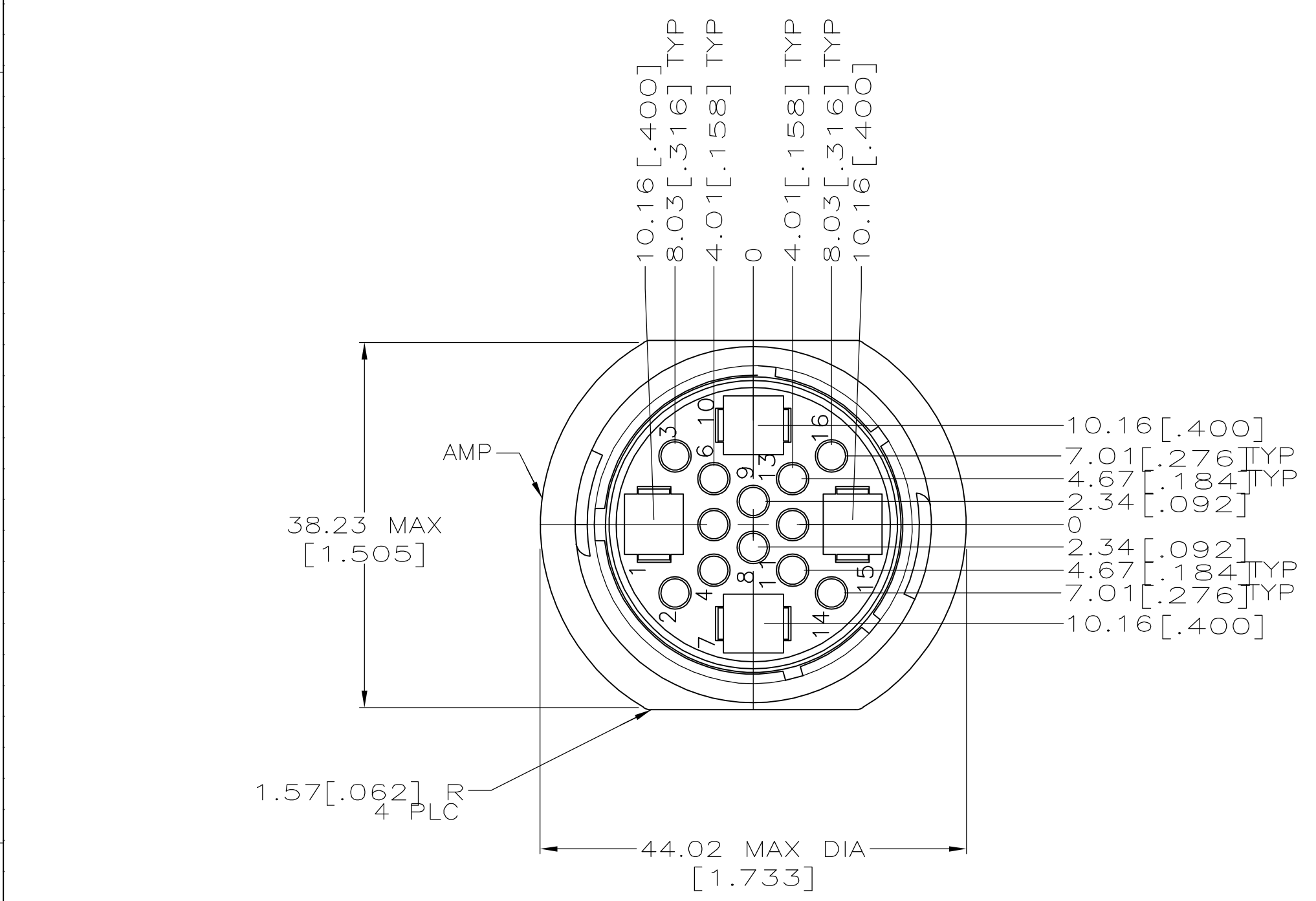
www.Jameco.com ♦ 1-800-831-4242

The content and copyrights of the attached
material are the property of its owner.

Jameco Part Number 918604



DETAIL A



DETAIL B

- WILL ACCEPT (12) MULTIMATE AND (4) TYPE XII PIN CONTACTS.
 - CAVITY IDENTIFICATION ON FRONT AND REAR FACE.
 - NO. 4 FASTENERS RECOMMENDED FOR MOUNTING.
 - THIS CONNECTOR WILL ACCEPT INSULATION DIAMETERS UP TO 3.81 [.150].
- HOUSING: NYLON, BLACK.
 - PERIPHERAL SEAL: ELASTOMER, GRAY.
 - PERMANENT WHITE MARKED OR WHITE INK STAMPED CAVITY IDENTIFICATION.
 - HOUSING: NYLON, RED.
 - PERIPHERAL SEAL: ELASTOMER, GRAY.
 - WHITE DOT NEAR POSITION 1 ON WIRE ENTRY FACE.

PRELIMINARY	8	-	YES	A	1-207486-1
PRELIMINARY	5	-	YES	A	207486-9
	5	-	YES	A	207486-7
	4	4	YES	A	207486-6
	5	-	YES	A	207486-5
	5	-	NO	B	207486-2
	5	-	NO	A	207486-1
NOTES	THREADED INSERTS	PERIPHERAL SEAL	SEE DETAIL	PART NUMBER	

THIS DRAWING IS A CONTROLLED DOCUMENT. DWN M BINNER 05/26/94
 CHK R STONE 6-23-94

tyco Electronics
 Tyco Electronics Corporation
 Harrisburg, PA 17105-3608

PRODUCT SPEC: 108-10024
 APPLICATION SPEC: -

SIZE: A1 CAGE CODE: 00779 DRAWING NO: 207486
 WEIGHT: -

CUSTOMER DRAWING SCALE: 2:1 SHEET: 1 OF 1 REV: P1