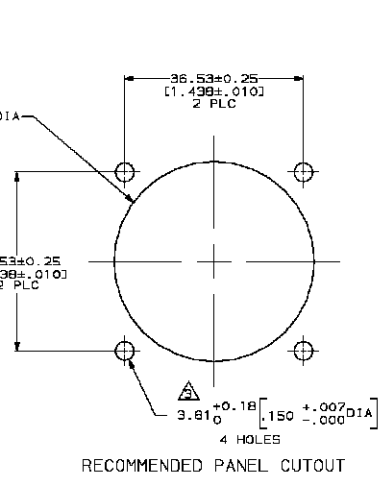
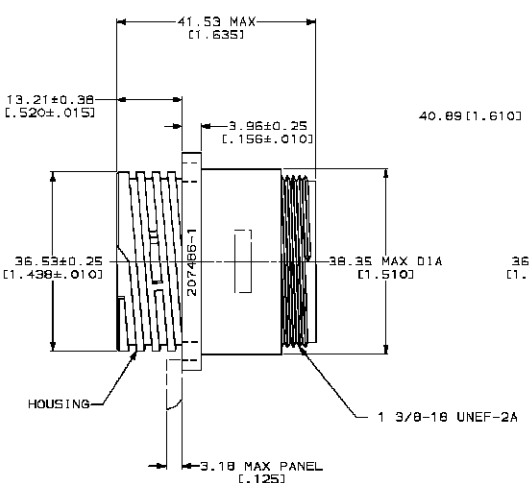
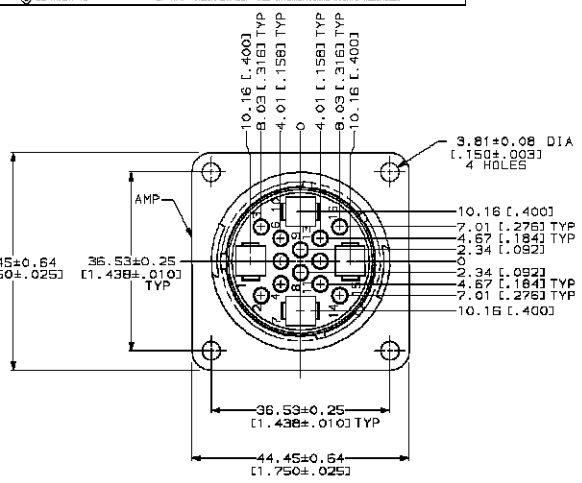
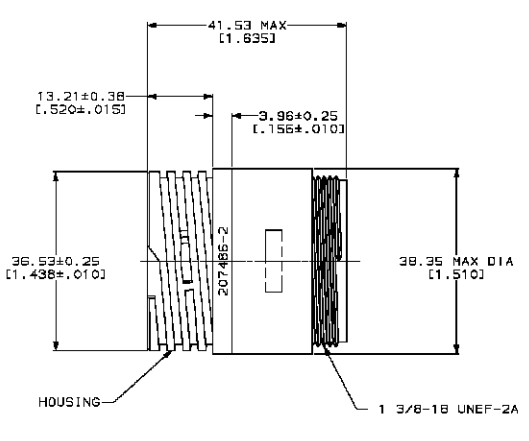
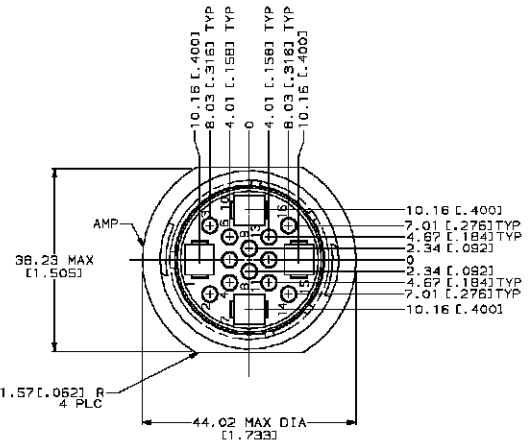


THIS DRAWING IS UNPUBLISHED. RELEASED FOR PUBLICATION BY AMP INCORPORATED. ALL INTERNATIONAL RIGHTS RESERVED. © COPYRIGHT 19

REV	DATE	DESCRIPTION	BY	APPD
4	80	35	K	AF



DETAIL A



DETAIL B

1. WILL ACCEPT (12) MULTIMATE AND (4) TYPE XII PIN CONTACTS.
2. CAVITY IDENTIFICATION ON FRONT AND REAR FACE.
3. NO. 4 FASTENERS RECOMMENDED FOR MOUNTING.
4. THIS CONNECTOR WILL ACCEPT INSULATION DIAMETERS UP TO 3.81 (1.150).

B	207486-2
A	207486-1
SEE DETAIL	PART NUMBER

DO NOT SCALE PRINT. UNLESS SPECIFIED DIMENSIONS IN mm (INCHES) TOLERANCES ON + 2 PLC DEC 40-13 (0.000) 3 PLC DEC # - - ANGLES # - -	DR 05/26/94 M.BINNER CHK 6-29-94 R.STONE APPD 7-13-94 A.FRANTZ APPD 7-13-94 A.FRANTZ	AMP AMP Incorporated Harrisburg, PA 17105-2608
MATERIAL HOUSING: NYLON, BLACK	PRODUCT SPEC 108-10024	
FINISH -	APPLICATION SPEC -	NAME RECEPTACLE HOUSING, STANDARD SEX, SHELL SIZE 23, CPC
WEIGHT -	SCALE 2:1	SIZE D CASE CODE 00779 DRAWING NO C-207486

THIS DRAWING IS A CONTROLLED DOCUMENT FOR AMP INCORPORATED. IT IS SUBJECT TO CHANGE AND THE CONTROLLING ENGINEERING ORGANIZATION SHOULD BE CONTACTED FOR THE LATEST REVISION.