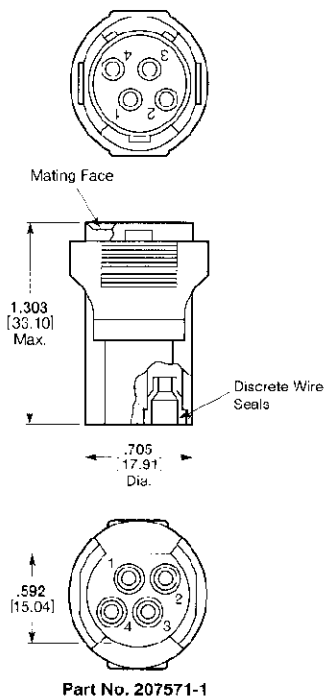


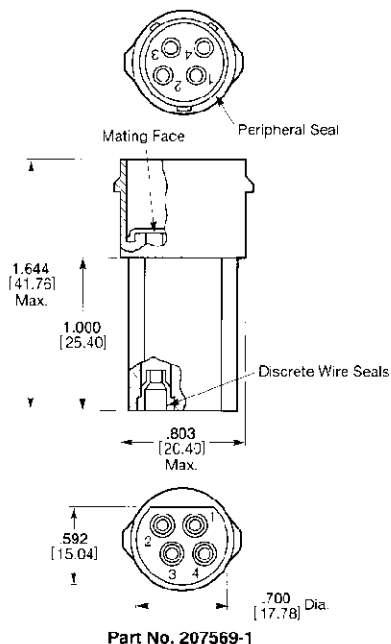
Free Hanging Connectors (Continued)

4-Circuit Housings

Plug



Receptacle



Notes:

1. Housing material is black thermo-plastic.
2. Plugs accept socket contacts; receptacles accept pin contacts; Type III+ and VI Multimate contacts (page 9) and subminiature coaxial contacts (page 10). All contacts must be purchased separately.
3. Discrete wire seals are factory installed, but can be replaced. Use Part No. 207565-2 when ordering individual discrete wire seals.
4. Plug shown above also mates with flanged panel mount receptacle, Part No. 207808-1 (page 7).