

207573-1 Product Details

[Share](#) [Print](#) [Email](#)



207573-1

TE Internal Number: 207573-1

 Active

[View 3D PDF](#)

Econoseal Sealed Pin and Socket Connectors

 Always EU RoHS/ELV Compliant
(Statement of Compliance)

Product Highlights:

- Connector
- Housing
- Connector Style = Receptacle
- Contact Type = Pin
- 7 Positions

[View all Features](#)

Quick Links

- ▶ [Pricing & Availability](#)
- ▶ [Search for Tooling](#)
- ▶ [Product Feature Selector](#)
- ▶ [Contact Us About This Product](#)

[Add to My Part List](#)

[Request Sample](#)

[Find Similar Products](#)

[Buy Product](#)

Documentation & Additional Information

Product Drawings:

- [RECEPTACLE, 7 POSITION, STANDARD CIRCULAR SEALED CON...](#) (PDF, English)

Catalog Pages/Data Sheets:

- None Available

Product Specifications:

- [Miniature Circular Sealed Connector](#) (PDF, English)

Application Specifications:

- None Available

Instruction Sheets:

- [ECONOSEAL Connectors](#) (PDF, English)

CAD Files: (CAD Format & Compression Information)

- [2D Drawing](#) (DXF, Version G)
- [3D Model](#) (IGES, Version G)
- [3D Model](#) (STEP, Version G)

[List all Documents](#)

Additional Information:

- [Product Line Information](#)

Related Products:

- [Tooling](#)

Product Features (Please use the Product Drawing for all design activity)

Product Type Features:

- Product Type = Connector
- Connector Type = Housing
- Sealed = Yes

Mechanical Attachment:

- [Panel Mount Retention](#) = Without

Body Features:

- Discrete Wire Seal Material = Elastomer
- Discrete Wire Seal Color = Black
- Peripheral Seal Material = Elastomer
- Peripheral Seal Color = Black

Contact Features:

- Contact Type = Pin

Housing Features:

- Connector Style = Receptacle
- Housing Material = Thermoplastic - GF
- Housing Color = Black
- UL Flammability Rating = UL 94V-2

Configuration Features:

- [Number of Positions](#) = 7
- GET 0.64 Connector System = No

Industry Standards:

- [RoHS/ELV Compliance](#) = RoHS compliant, ELV compliant
- [Lead Free Solder Processes](#) = Not relevant for lead free process
- [RoHS/ELV Compliance History](#) = Always was RoHS compliant

Other:

- Brand = AMP
- Comment = Plugs accept socket contacts; receptacles accept pin contacts: Type III & VI MultiMate contacts and subminiature coaxial contacts.; Discrete wire seals are factory installed; but can be replaced. Use Part No. 207565-2 when ordering individual discrete wire seals.

Corporate Information

[About TE](#)
[Investors](#)
[News Room](#)
[Supplier Portal](#)
[Careers](#)
[Terms & Conditions](#)
[Privacy Policy](#)

Quick Links

[Distributor Inventory](#)
[Product Cross Reference](#)
[Documents & Drawings](#)
[Product Compliance Support Center](#)
[Site Map](#)

Customer Support

[Email or Chat With Us](#)
[Find a Phone Number](#)
[Knowledge Base](#)
[Manage Your Account](#)

Keep Me Informed

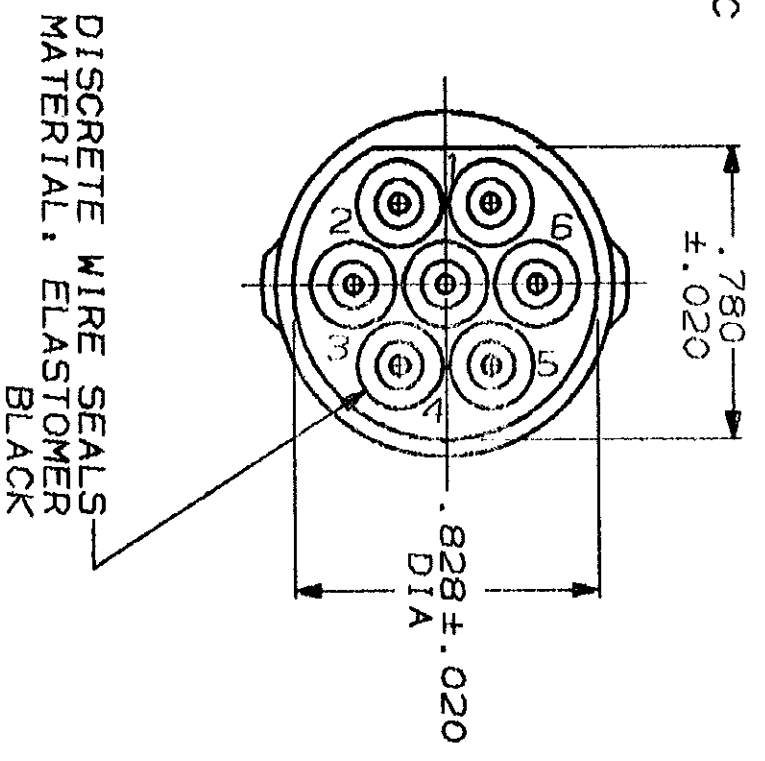
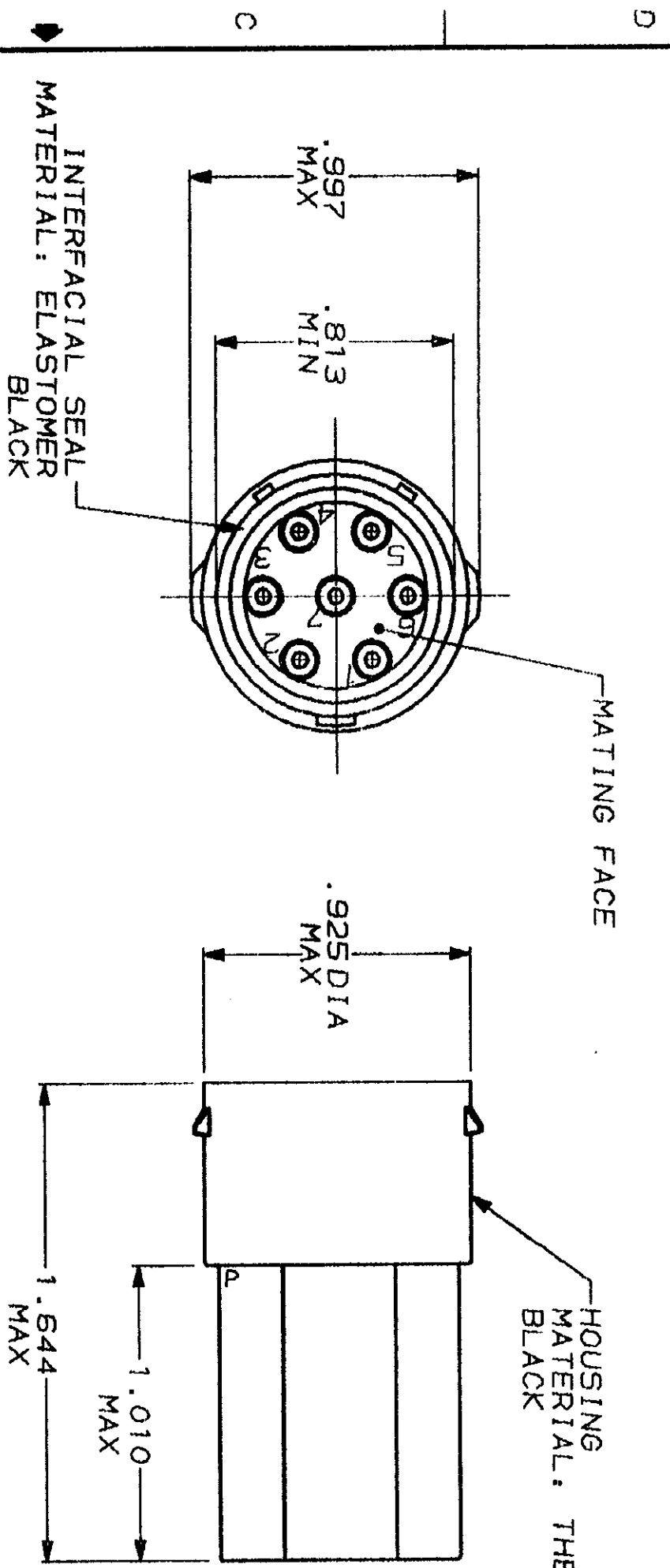


DRAWING MADE IN THIRD ANGLE PROJECTION
 THIS DRAWING IS UNPUBLISHED. RELEASED FOR PUBLICATION
 © COPYRIGHT 19 BY AMP INCORPORATED. ALL INTERNATIONAL RIGHTS RESERVED.

MOD	LOC	DIST
23	BD	39

P	F	ZONE	LTR
		G	

REVISIONS	DESCRIPTION	DATE	APPD
1	REDRAWN AND REV PER ECN BD4183	8-20-80	KB



1. WIRE INSULATION SEALING RANGE .070-.130 DIA.
2. THIN MEMBRANE PERMISSIBLE ON SMALL DIAMETER OF WIRE SEALS.

NO	207573-2	PART NUMBER
YES	207573-1	SEALS

DO NOT SCALE PRINT. DIMENSIONS SPECIFIED IN INCHES. TOLERANCES ON: 1. DEC # - 2. DEC # - 3. ANGLES -		DR 5-20-80 J. GALLAGHER	
MATERIAL: SEE CALLOUT		CHK: J. GALLAGHER 1-18-91	
FINISH: -		APPD: J. GALLAGHER 1/28/91	
APPLICATION SPEC: -		NAME: AMP INCORPORATED, HARRISBURG, PA. 17105	
WEIGHT: -		SIZE: B	
SCALE: 2:1		FSCM NO: 00779	
DRAWING NO: 207573		SHEET: 1 OF 1	

CUSTOMER DRAWING