

Distributed by:

**JAMECO**<sup>®</sup>  
ELECTRONICS

**www.Jameco.com ♦ 1-800-831-4242**

The content and copyrights of the attached  
material are the property of its owner.

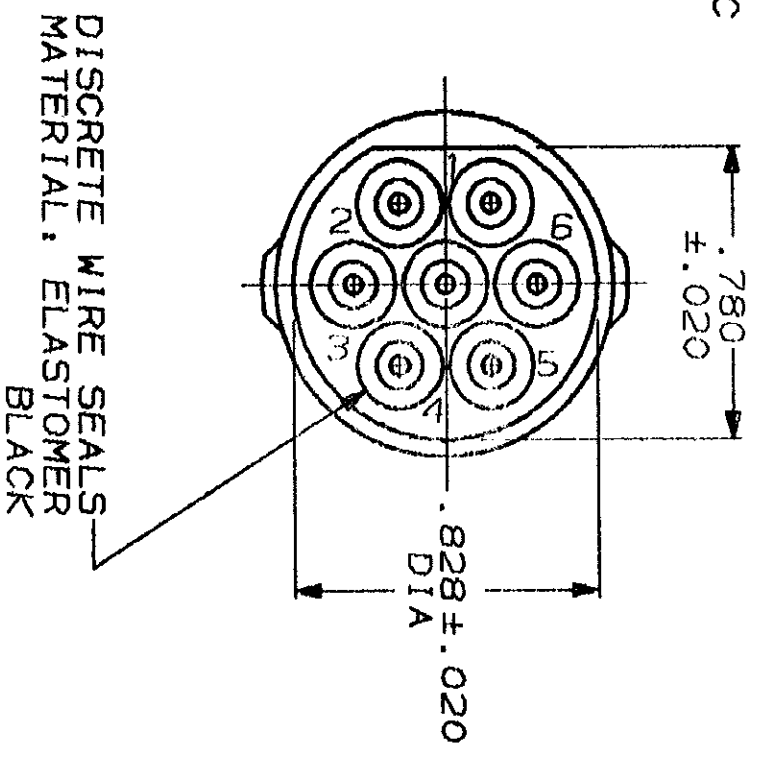
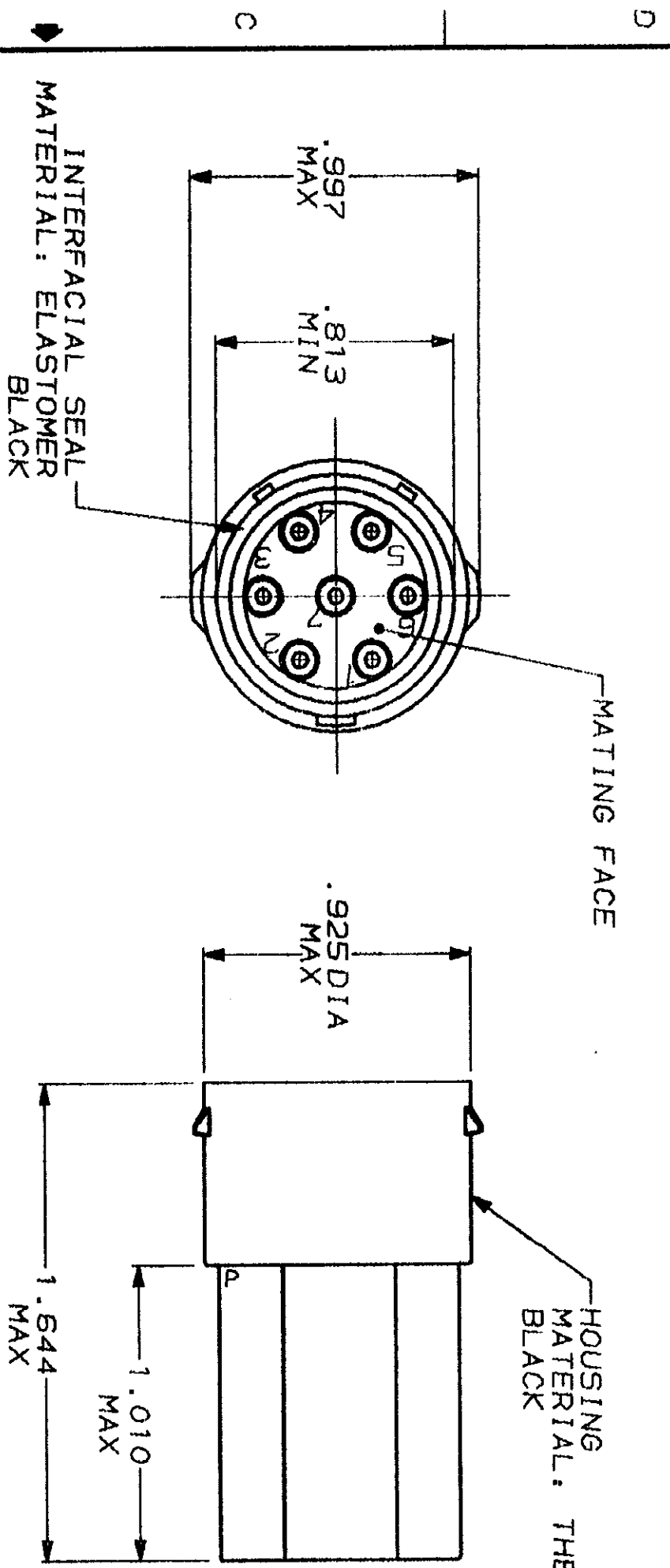
Jameco Part Number 919017

DRAWING MADE IN THIRD ANGLE PROJECTION  
 THIS DRAWING IS UNPUBLISHED. RELEASED FOR PUBLICATION  
 © COPYRIGHT 19 BY AMP INCORPORATED. ALL INTERNATIONAL RIGHTS RESERVED.

MOD	LOC	DIST
23	BD	39

P	F	ZONE	LTR
		G	

REVISIONS	DESCRIPTION	DATE	APPD
1	REDRAWN AND REV PER ECN BD4183	8-20-80	KB



1. WIRE INSULATION SEALING RANGE .070-.130 DIA.
2. THIN MEMBRANE PERMISSIBLE ON SMALL DIAMETER OF WIRE SEALS.

NO	207573-2	PART NUMBER
YES	207573-1	SEALS

DO NOT SCALE PRINT. DIMENSIONS SPECIFIED IN INCHES		DR	5-20-80	DATE	1-18-91
TOLERANCES UNLESS SPECIFIED		CHK	J. GALLAGHER	APPD	J. GALLAGHER
1 FRACTIONAL		NAME			
2 DECIMAL		AMP INCORPORATED			
3 PLACES		Harrisburg, Pa. 17105			
4 ANGLES		RECEPTACLE, 7 POSITION,			
MATERIAL		STANDARD CIRCULAR			
SEE CALLOUT		SEALED CONNECTOR			
FINISH		SCALE	B	FSCM NO	00779
		WEIGHT	2:1	DRAWING NO	207573
				SHEET	1 OF 1