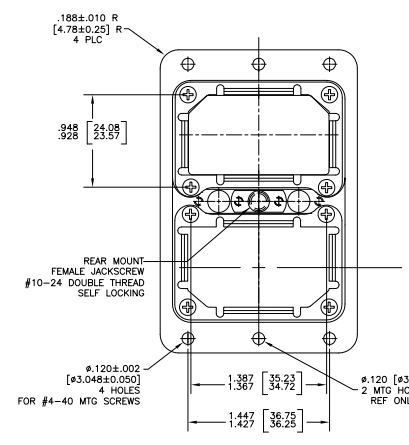
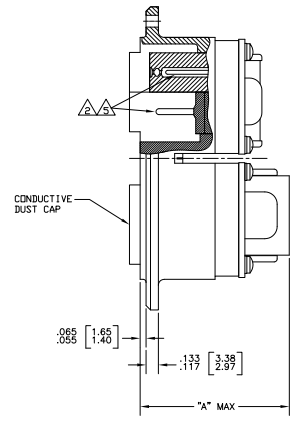
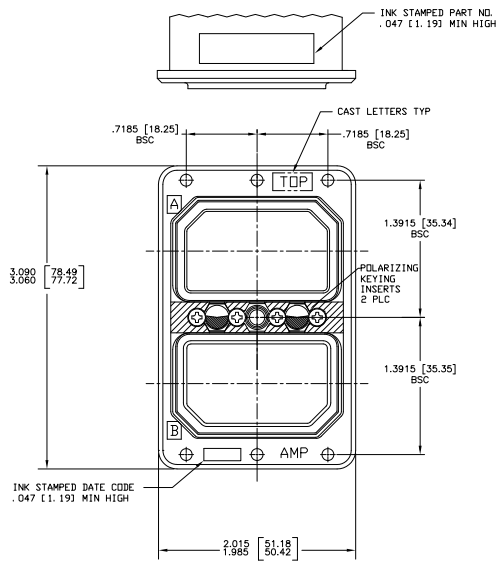


THIS DRAWING IS UNPUBLISHED
 ALL RIGHTS RESERVED

REV	DATE	DESCRIPTION	BY	CHK	APP
1					
2					
3					
4					
5					
6					
7					
8					



	INSERT ARRANGEMENT			
	26	32C2	67	106
"A" MAX	1.525 [38.74]	1.700 [43.18]	1.525 [38.74]	1.279 [32.49]

- MATERIAL AND FINISH
 SHELL: DIE CAST ALUM. ALLDY PER FED SPEC QQ-A-591
 FINISH: ELECTROLESS NICKEL PLATED PER MIL-C-26074, CLASS 1
 INSULATOR HARD: EPOXY PER MIL-M-24325; SDFI: SILICONE RUBBER
 GROMMET PROTECTORS: ALUM. ALLDY. FINISH: BLUE EPOXY
 POLARIZING KEYING INSERTS & SCREWS: STAINLESS STEEL
 FEMALE JACKSCREW: STAINLESS STEEL
 SCREWS & WASHERS: STEEL, FINISH: CAD. PLATED PER QQ-P-416
 DUST CAPS: CONDUCTIVE BLACK THERMOPLASTIC
- CONTACTS SHOWN IN POSITION FOR ILLUSTRATION ONLY, ARE INCLUDED IN A CONTAINER WITHIN CONNECTOR PACKAGE FOR SHIPMENT, EXCEPT P/N'S 1-207595-2 THRU 2-207595-1
- CONNECTOR MEETS AMP PRODUCT SPEC 108-10, 019
- CDAX CONTACTS & SEALING BOOTS MUST BE ORDERED SEPARATELY
- ALL METRIC DIMENSIONS ARE SHOWN IN PARENTHESIS
- FOR MATING CONNECTOR SEE 207596
- CONNECTORS ORDERED LESS CONTACTS WILL BE MARKED WITH SAME P/N AS CONNECTORS ORDERED WITH CONTACTS

PART NO.	ARRANGEMENT		PART NO. LESS CONTACTS	OBSOLETE
	MODULE A	MODULE B		
207595-1	106P	67S	1-207595-2	
207595-2	106P	26S	1-207595-3	
207595-3	106P	106P	1-207595-4	
OBSOLETE 207595-4	106P	106S	1-207595-5	OBSOLETE
207595-5	106S	106S	1-207595-6	
207595-6	106S	26P	1-207595-7	OBSOLETE
207595-7	106S	67P	1-207595-8	OBSOLETE
OBSOLETE 207595-8	67S	67S	1-207595-9	
207595-9	106S	32C2P	2-207595-0	OBSOLETE
1-207595-0	106P	32C2S	2-207595-1	
1-207595-1	NO INSERT	NO INSERT	-	

THIS DRAWING IS A CONTROLLED DOCUMENT. **TE Connectivity**

RECEPTACLE CONNECTOR INSTALLATION (WITH CENTER FEMALE JACKSCREW)

DATE: 00779 ©=207595

CUSTOMER DRAWING