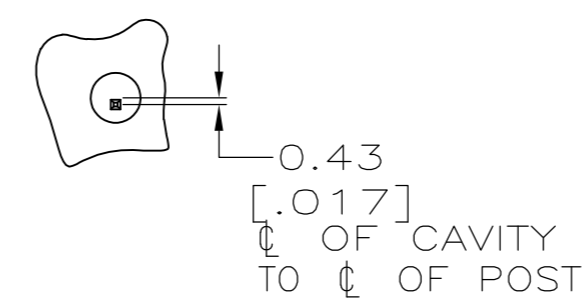
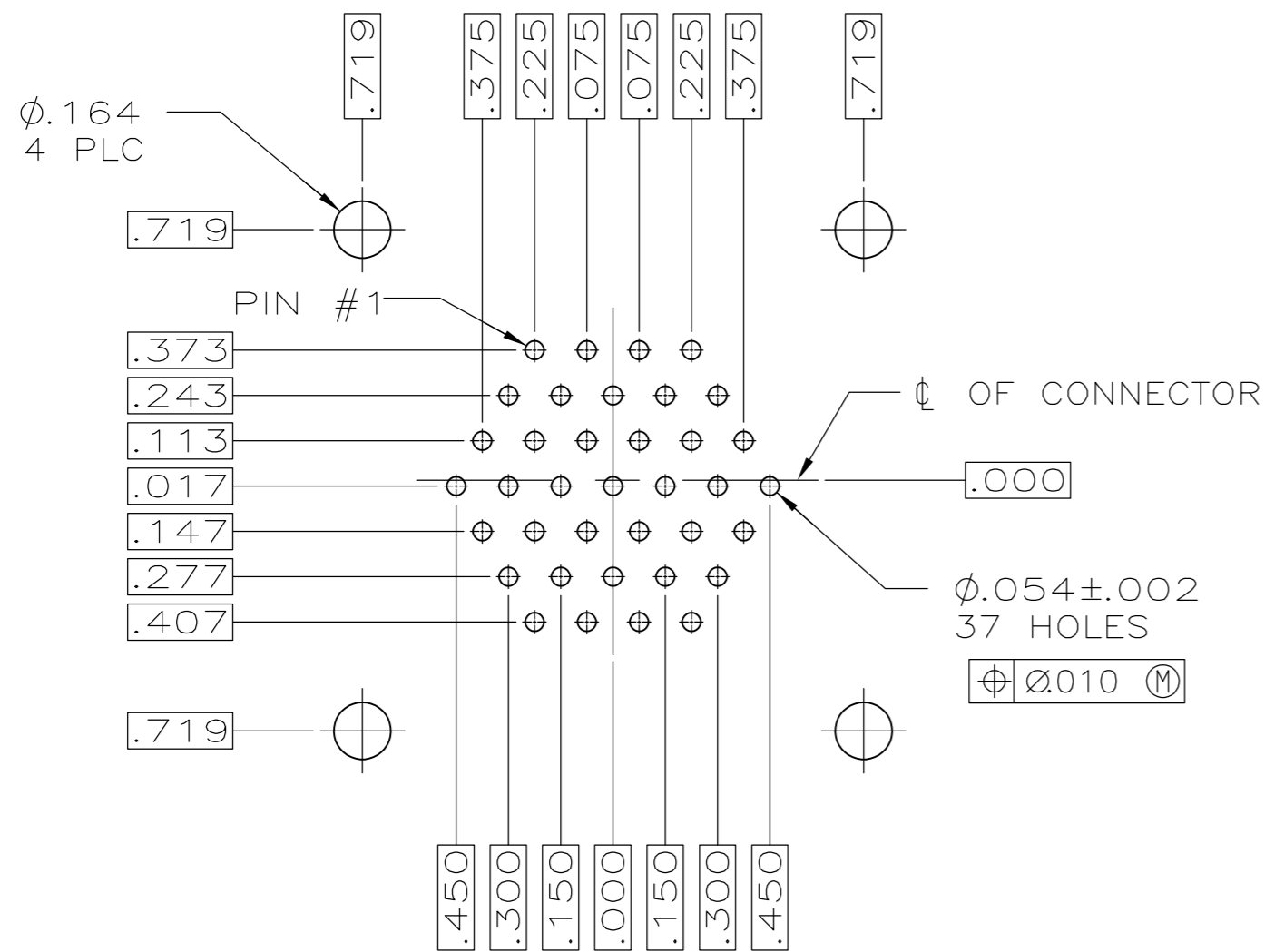
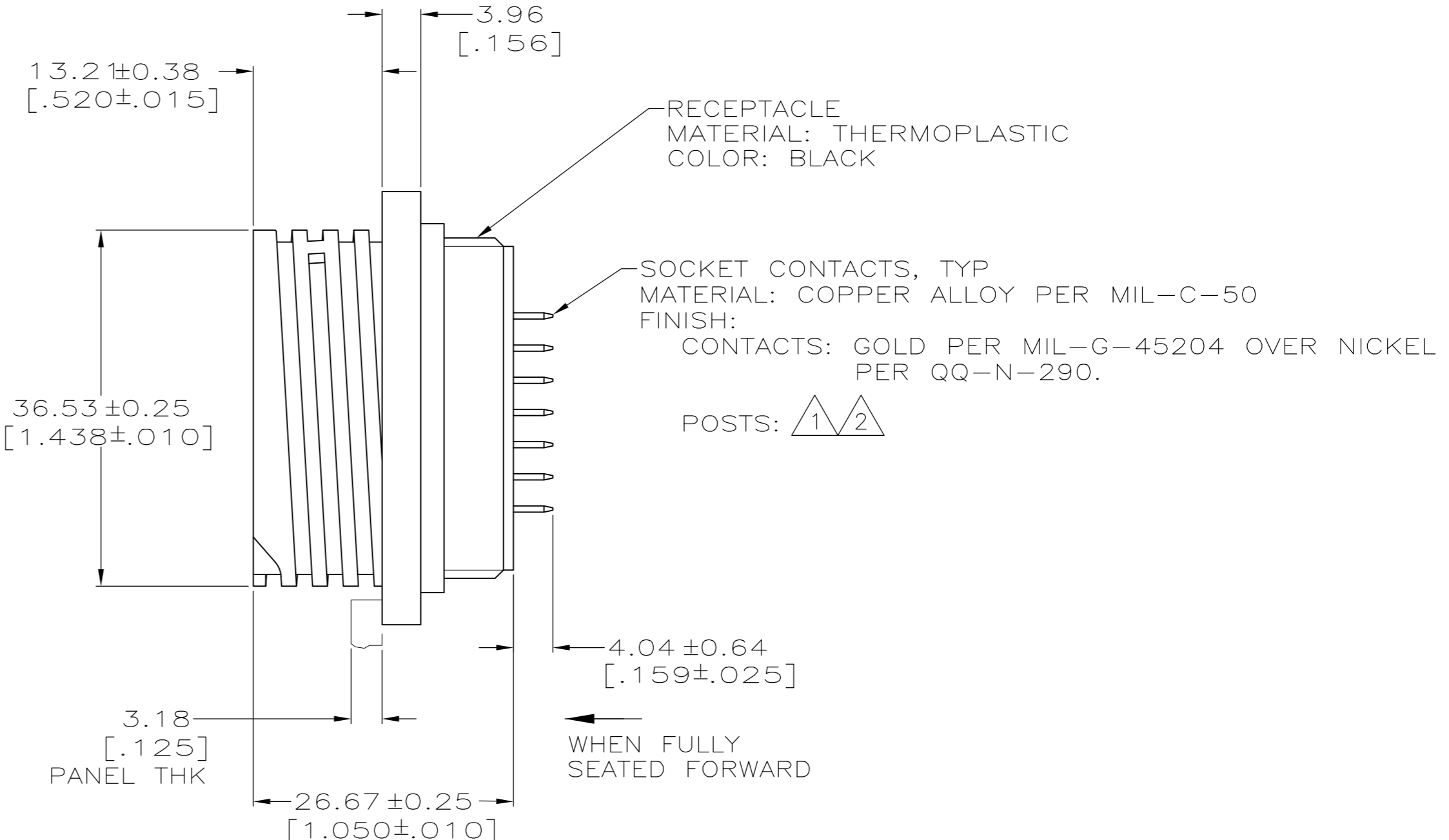
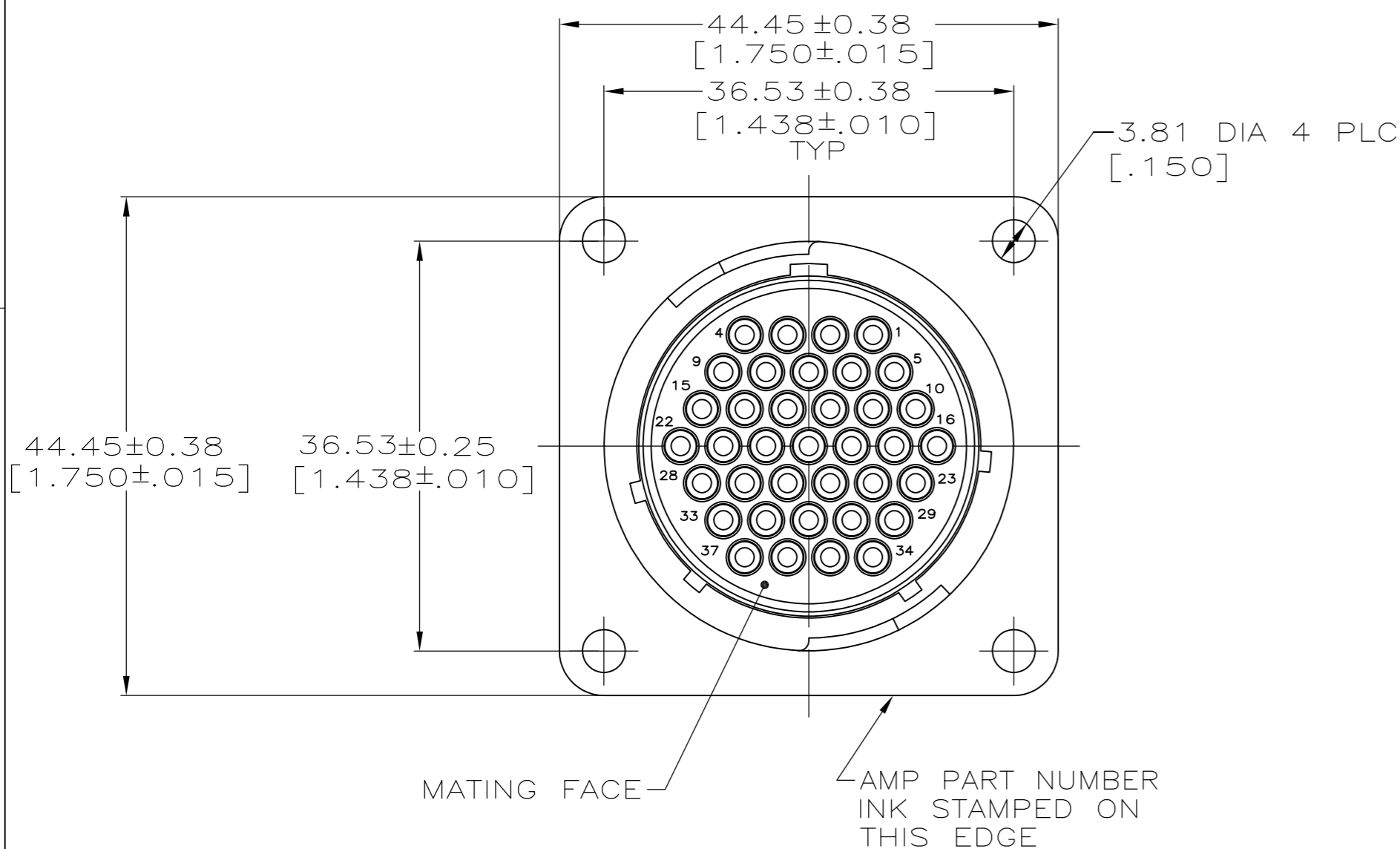


THIS DRAWING IS UNPUBLISHED. RELEASED FOR PUBLICATION
 © COPYRIGHT BY TYCO ELECTRONICS CORPORATION. ALL RIGHTS RESERVED.

LOC	DIST	REVISIONS			
P	LTR	DESCRIPTION	DATE	DWN	APVD
FT	0	REVISED PER ECO-08-009331	16APR08	HMR	SH



POST ARRANGEMENT ON REAR FACE

- $\triangle 1$.000100 MIN. MATTE TIN-LEAD OVER .000050 MIN NICKEL.
- $\triangle 2$.000100 MIN. MATTE TIN OVER .000050 MIN NICKEL.

PERIPHERAL SEAL	FINISH	PART NUMBER
YES	$\triangle 2$	207890-3
NO	$\triangle 2$	207890-2
NO	$\triangle 1$	207890-1

RECOMMENDED P.C. BOARD LAYOUT

THIS DRAWING IS A CONTROLLED DOCUMENT.		DWN 05/15/95 C.J. REIFSNYDER	Tyco Electronics Corporation Harrisburg, PA 17105-3608	
DIMENSIONS: mm		CHK 05/24/95 R. STONE	NAME	
TOLERANCES UNLESS OTHERWISE SPECIFIED:		APVD 05/25/95 AL FRANTUM	RECEPTACLE ASSEMBLY, POSTED, REVERSE SEX, SERIES 1, 23-37, CPC	
MATERIAL SEE CALLOUT		FINISH SEE CALLOUT	SIZE A2	RESTRICTED TO
WEIGHT -		SCALE 2:1	CAGE CODE 00779	SHEET 1 OF 1
CUSTOMER DRAWING		REV E	DRAWING NO C-207890	