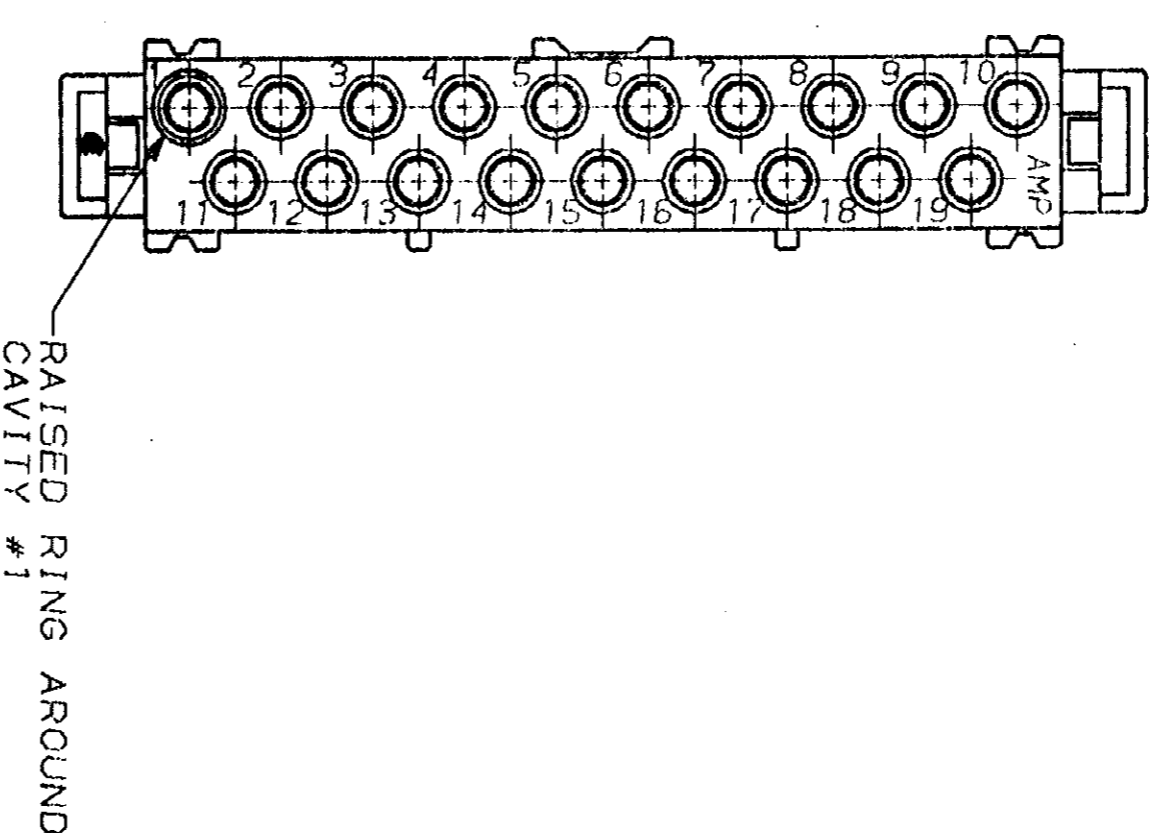
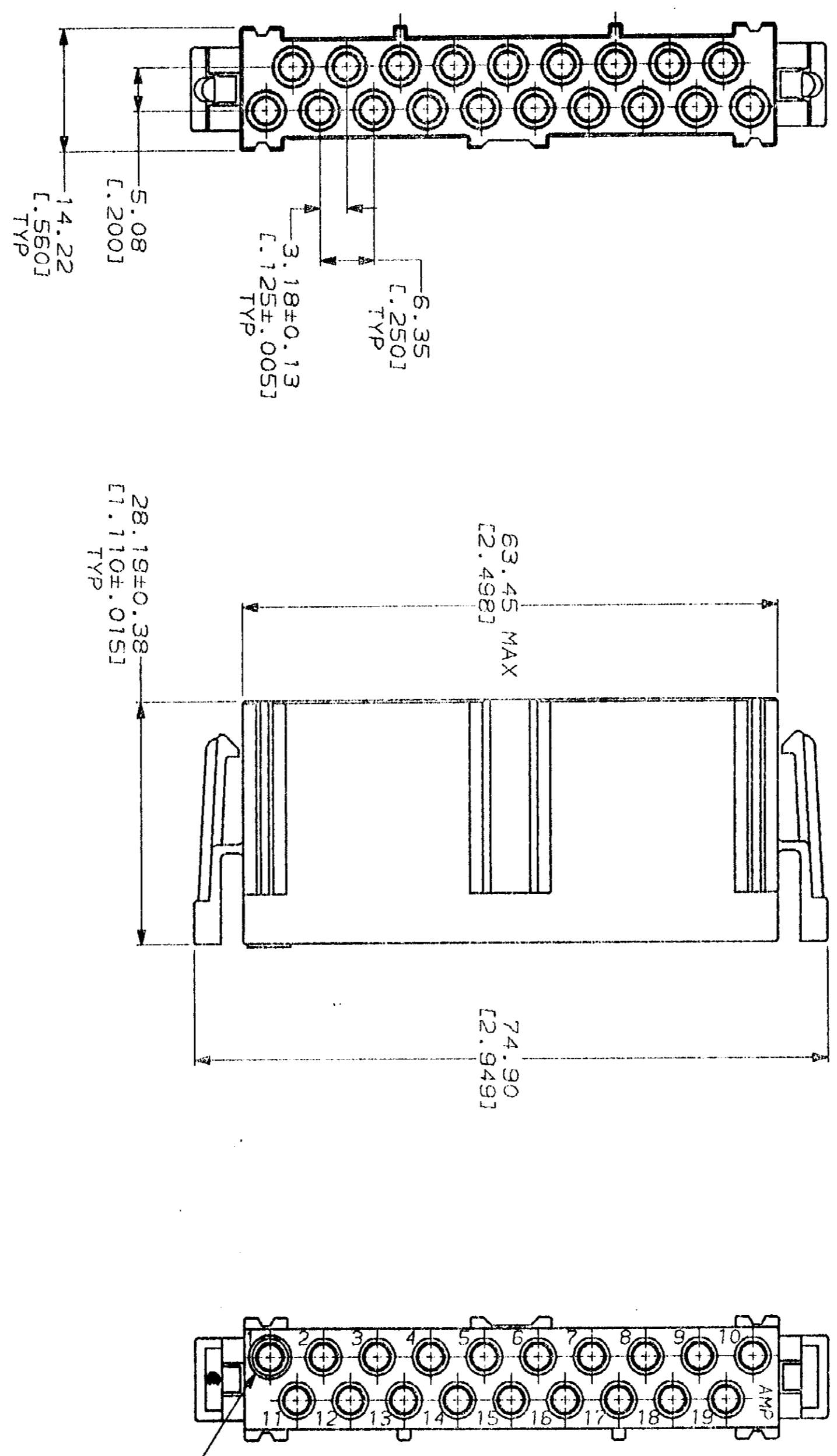


DRAWING MADE IN THIRD ANGLE PROJECTION
 THIS DRAWING IS UNPUBLISHED. RELEASED FOR PUBLICATION
 BY AMP INCORPORATED. ALL INTERNATIONAL RIGHTS RESERVED.
 © COPYRIGHT 1979

NO	LOC	DIST	P	ZONE	LTR	DESCRIPTION	DATE	APPD
1	BD	39		D		REDRAWN PER ECN 506093	03/16/92	



DO NOT SCALE PRINT. UNLESS SPECIFIED (INCHES) DIMENSIONS IN (mm) (INCHES) TOLERANCES ON:		DR 03/16/92 L. SIPE	
2	PLC DEC ± 0.25 [0.010]	CHK 3-18-92	R. STONE
3	PLC DEC ± 0.25 [0.010]	APPD 3-18-92	A. TRAVIS
ANGLES MATERIAL NYLON, UL-94V-0 RATED, RED		APPD 3-18-92 C. RICHDE PRODUCT SPEC	
FINISH		APPLICATION SPEC	
WEIGHT		SCALE 2:1	

AMP
 AMP Incorporated
 Harrisburg, PA 17105-3668

HOUSING, PLUG,
 19 POSN, METRIMATE

208100-1
 PART NO

208100