

Distributed by:

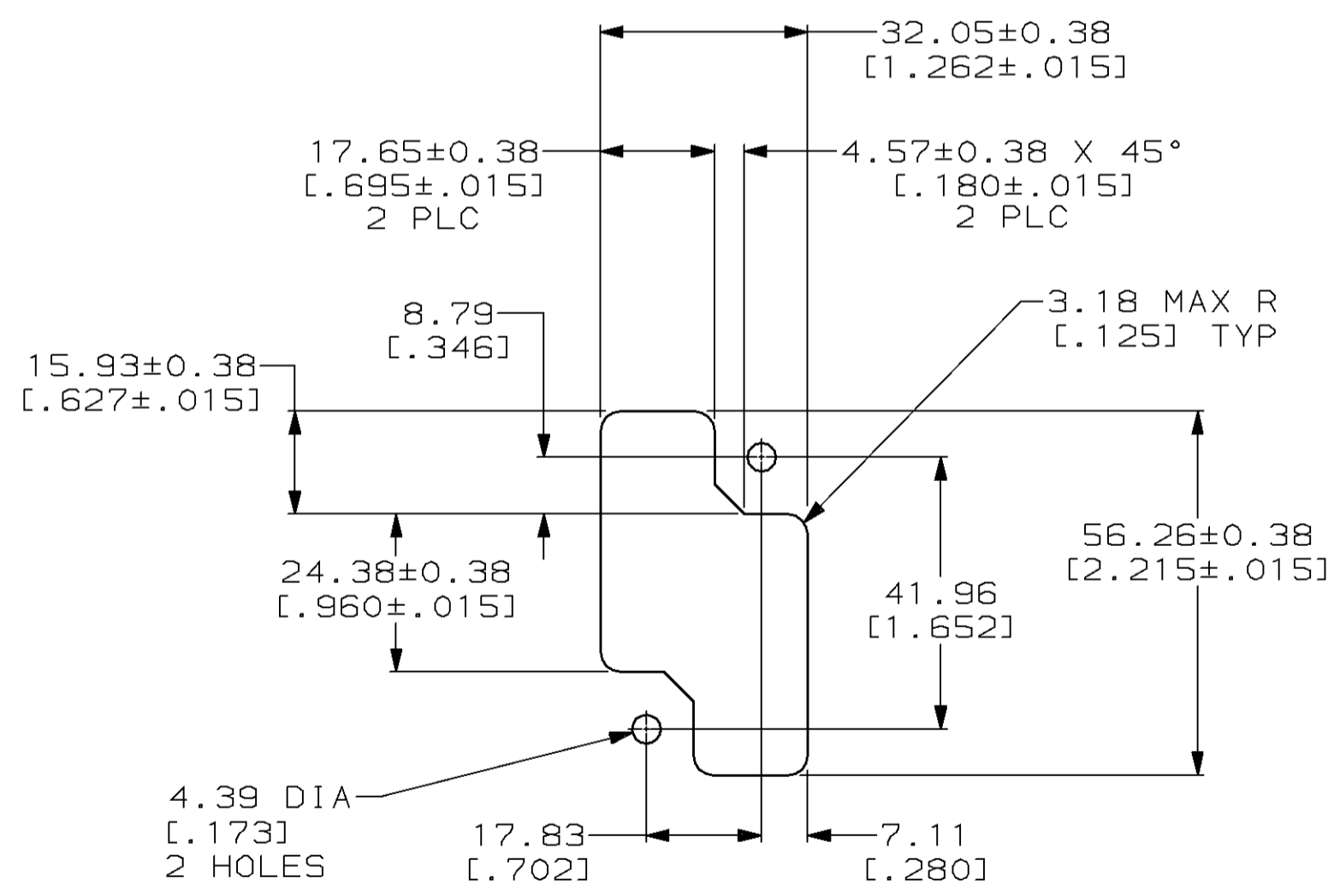
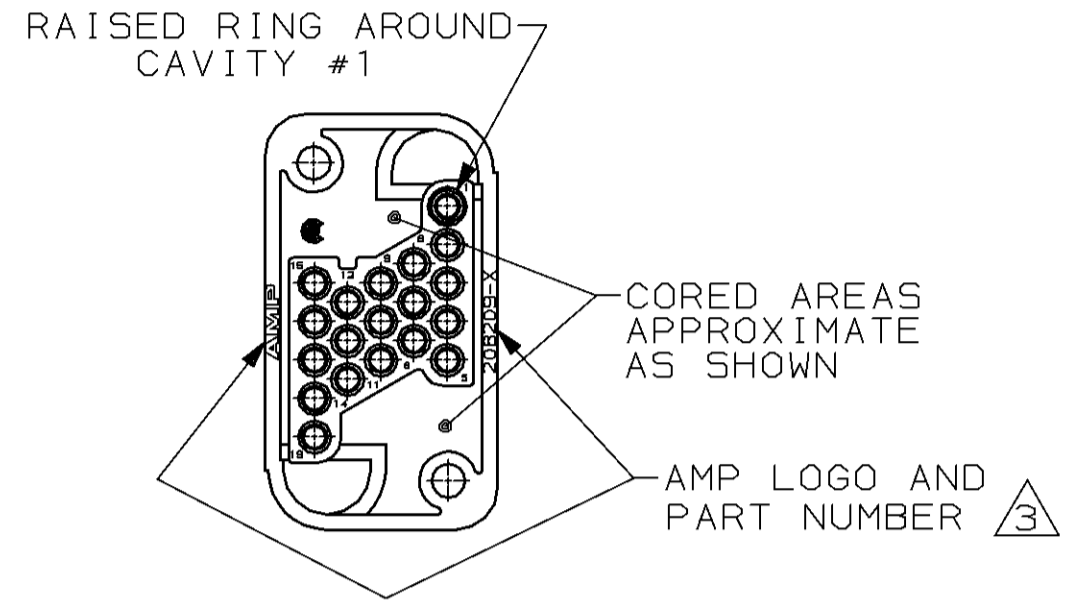
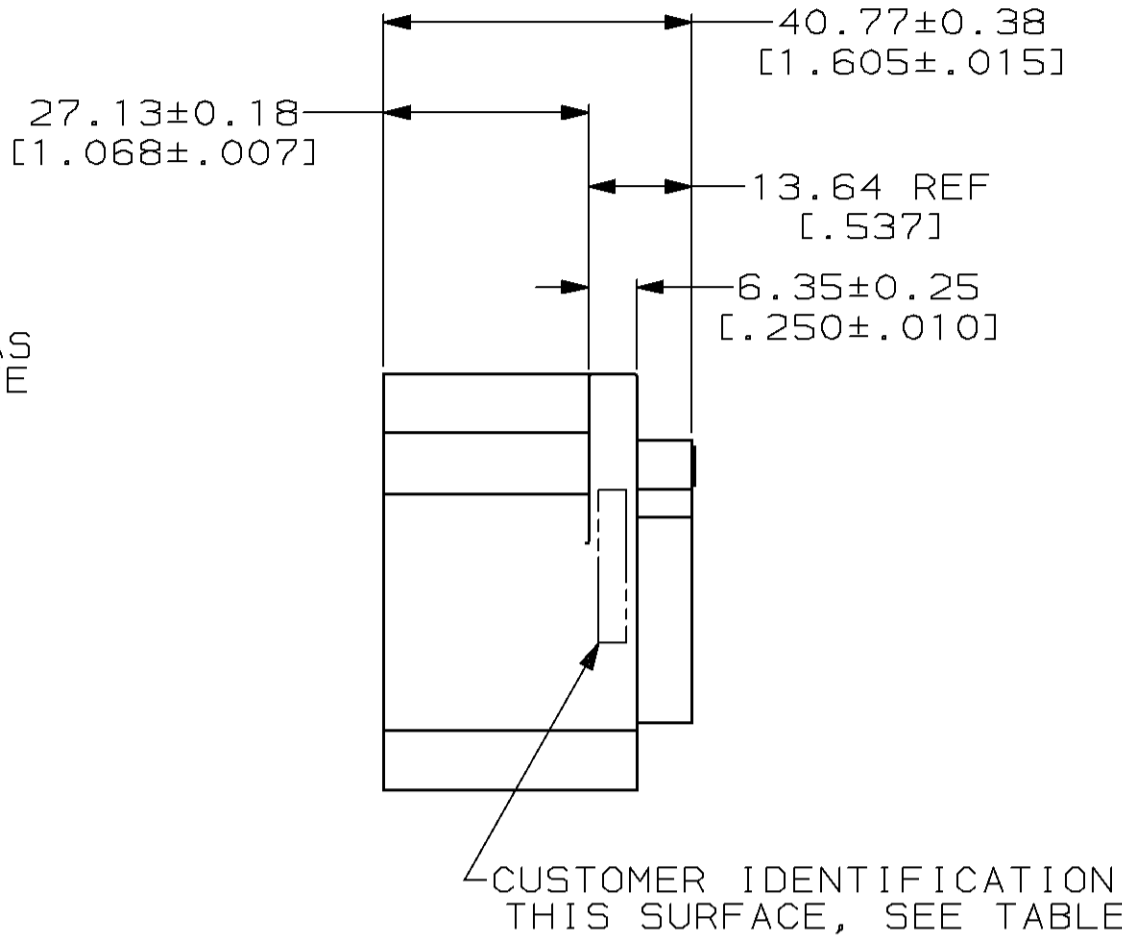
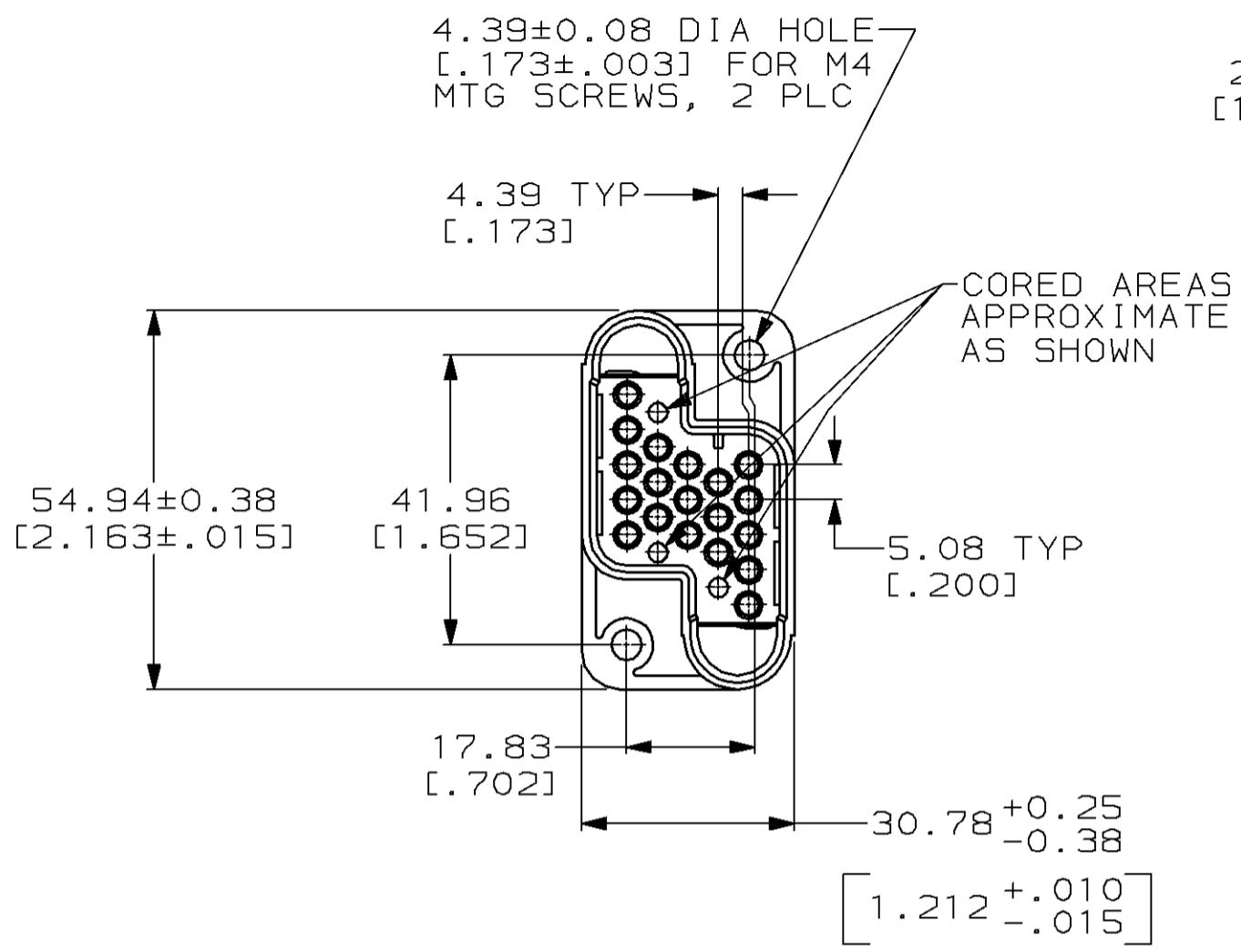
JAMECO[®]
ELECTRONICS

www.Jameco.com ♦ 1-800-831-4242

The content and copyrights of the attached
material are the property of its owner.

Jameco Part Number 839359

MOD		LOC		DIST		P		F		REVISIONS			
ZONE	LTR	DESCRIPTION	DATE	APPD									
1	BD	37								K	REDRAWN & REV PER ECN BD5288	09/09/91	-
										L	REV PER EC 0020-0337-94	04/06/94	AT



- 208209 MATES WITH 208210.
 - CAVITIES 1 & 19 SHOULD NOT BE USED WITH GROUND PIN.
- $\triangle 3$ ALL DASH NUMBERS WILL HAVE 208209-2 MOLD ON THE HOUSING.

SUGGESTED
 PANEL CUTOUT

DO NOT SCALE PRINT. UNLESS SPECIFIED DIMENSIONS IN mm [INCHES] TOLERANCES ON:	DR 9-9-91 R.SHIREY	AMP Incorporated Harrisburg, PA 17105-3608		
2 PLC DEC ± 0.13 [.005]	CHK 9-23-91 R.STONE	NAME PIN HOUSING, 19 POSN, METRIMATE		
3 PLC DEC ± -	APPD 9-23-91 A.TRAVIS			
ANGLES ± 1°	APPD 9-23-91 A.TRAVIS	SIZE	CAGE CODE	DRAWING NO
MATERIAL SEE TABLE	PRODUCT SPEC	C 00779		208209
FINISH	APPLICATION SPEC	SCALE	1:1	SHEET
-	114-10039			1 OF 1
	WEIGHT			
	-			