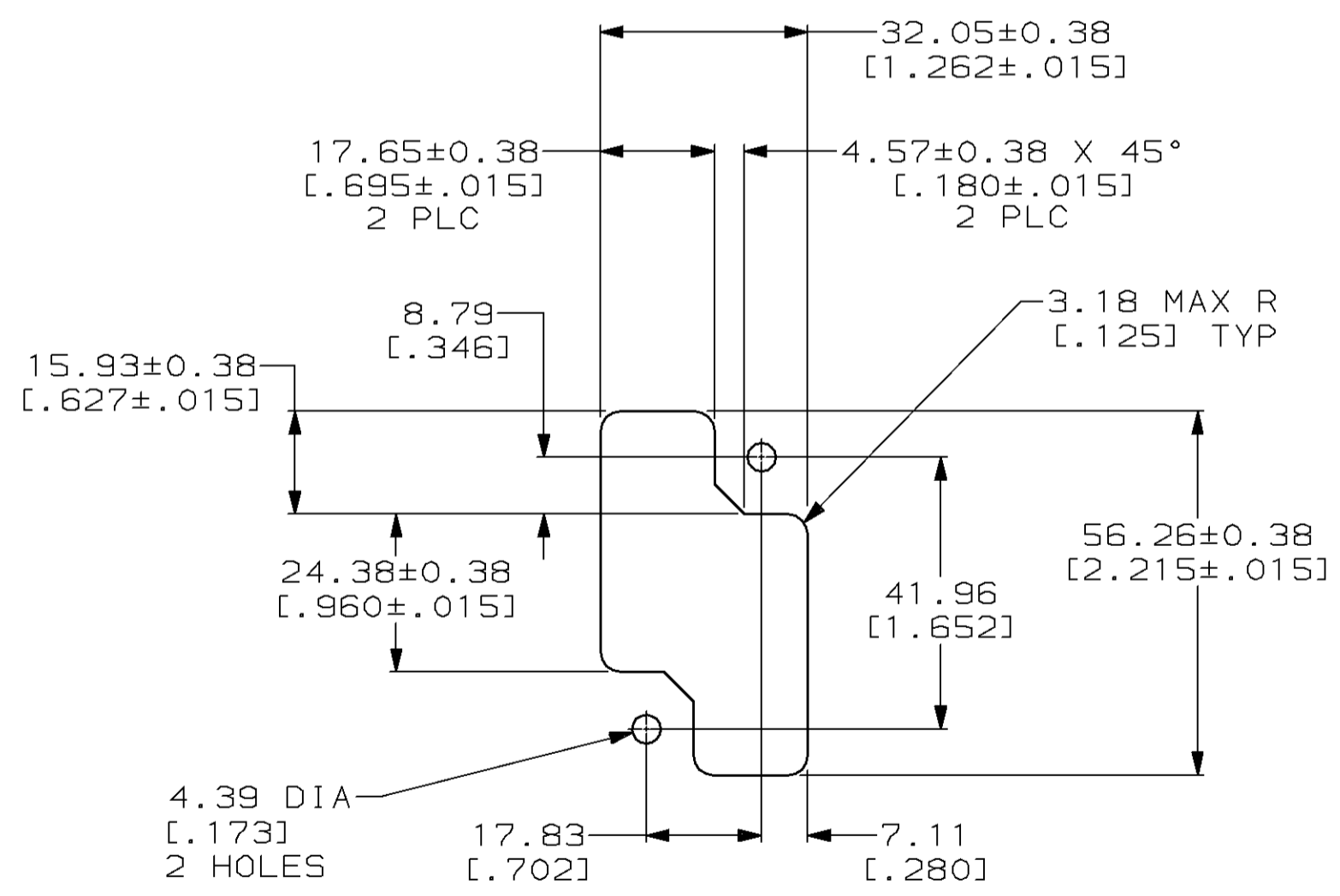
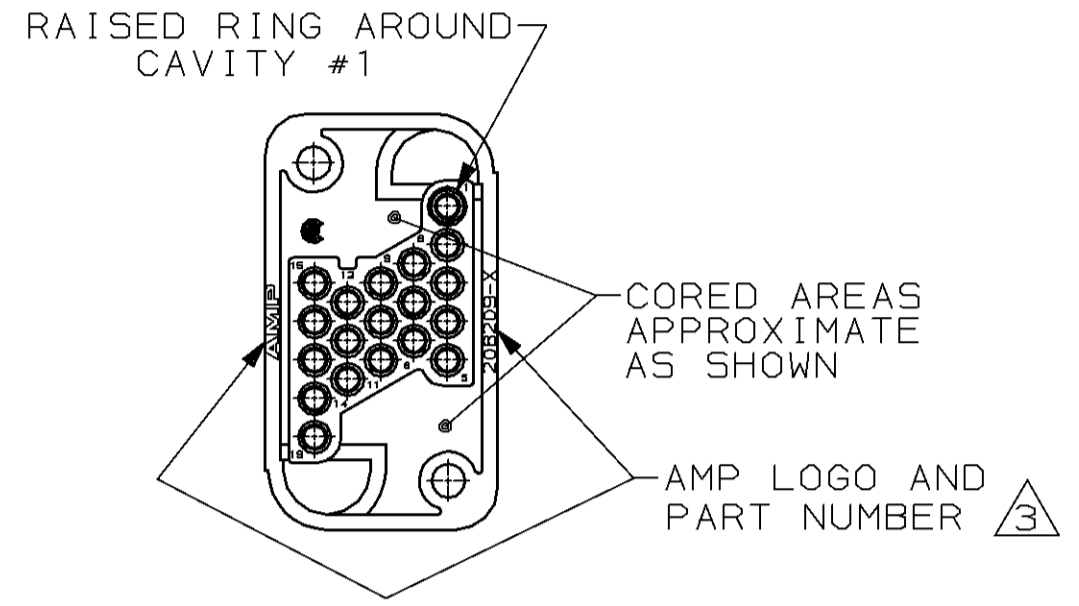
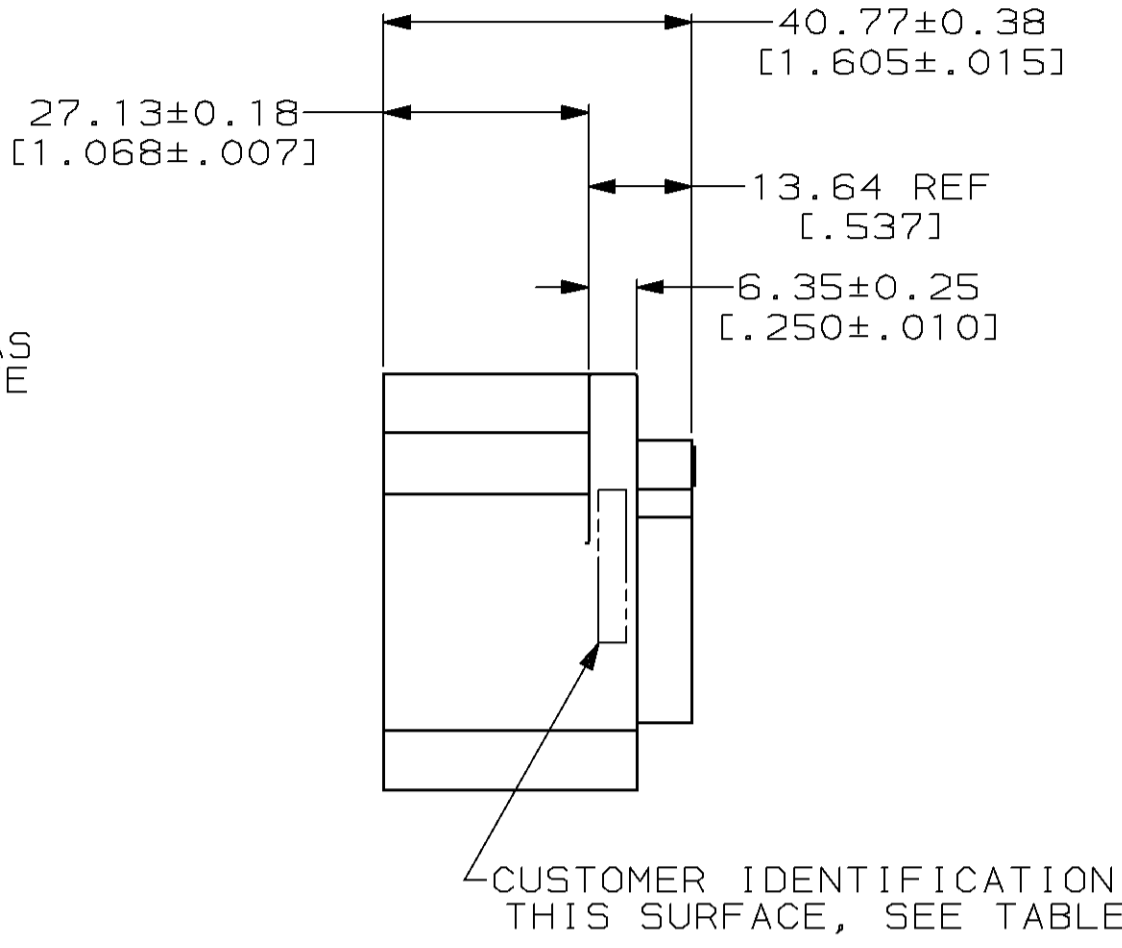
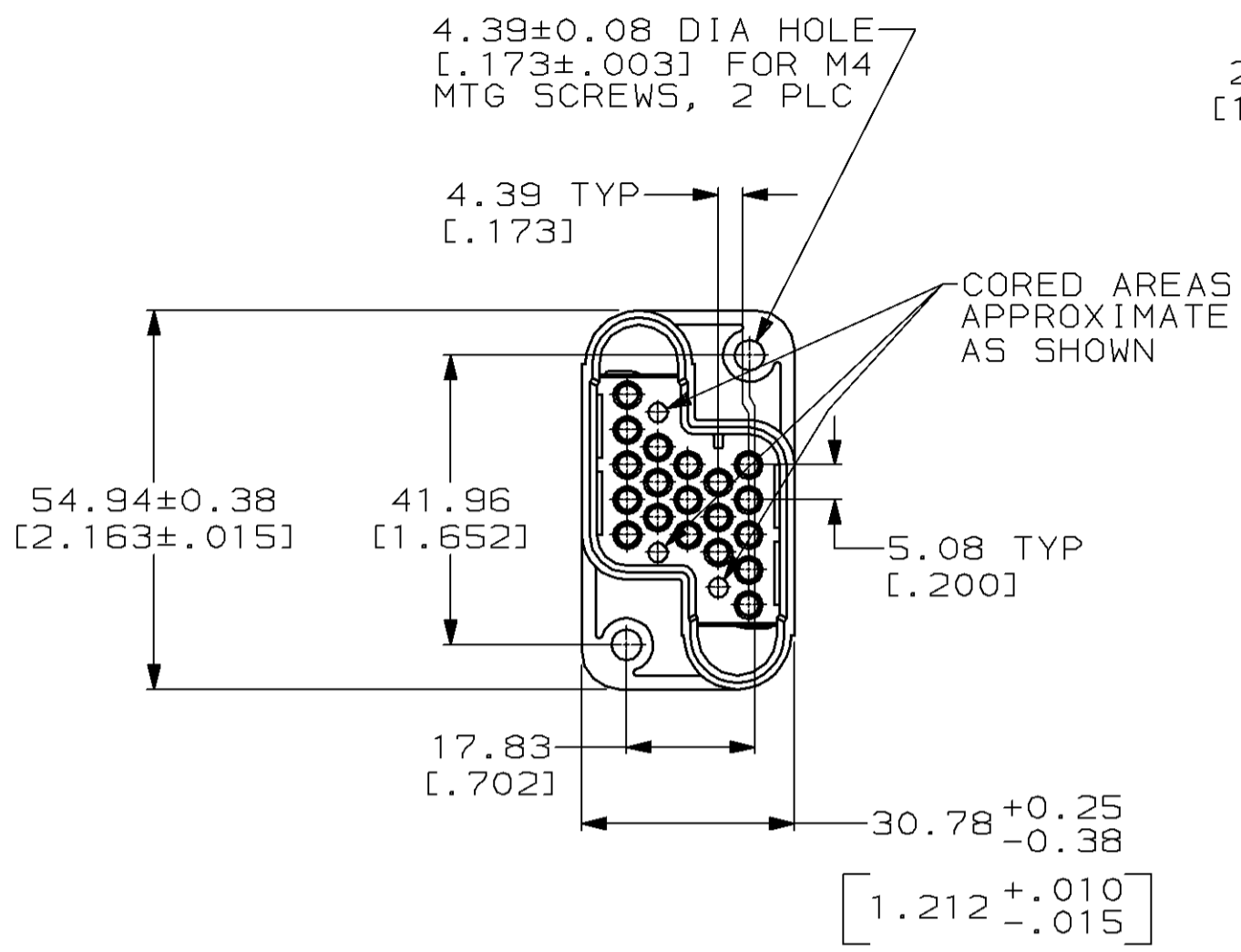


MOD		LOC		DIST		P		F		REVISIONS			
ZONE	LTR	DESCRIPTION	DATE	APPD									
1	BD	37								K	REDRAWN & REV PER ECN BD5288	09/09/91	-
										L	REV PER EC 0020-0337-94	04/06/94	AT



- 208209 MATES WITH 208210.
- CAVITIES 1 & 19 SHOULD NOT BE USED WITH GROUND PIN.
- $\triangle 3$ ALL DASH NUMBERS WILL HAVE 208209-2 MOLD ON THE HOUSING.

SUGGESTED
PANEL CUTOUT

DO NOT SCALE PRINT. UNLESS SPECIFIED DIMENSIONS IN mm [INCHES] TOLERANCES ON :	DR 9-9-91 R.SHIREY	AMP Incorporated Harrisburg, PA 17105-3608	
2 PLC DEC ± 0.13 [.005]	CHK 9-23-91 R.STONE	NAME	
3 PLC DEC ± -	APPD 9-23-91 A.TRAVIS	PIN HOUSING, 19 POSN, METRIMATE	
ANGLES ± 1°	APPD 9-23-91 A.TRAVIS	SIZE	CAGE CODE
MATERIAL	PRODUCT SPEC	114-10039	00779
SEE TABLE	FINISH	DRAWING NO	208209
-	APPLICATION SPEC	SCALE	SHEET
-	114-10039	1:1	1 OF 1
WEIGHT	-	CUSTOMER DRAWING	