

Distributed by:

**JAMECO**<sup>®</sup>  
ELECTRONICS

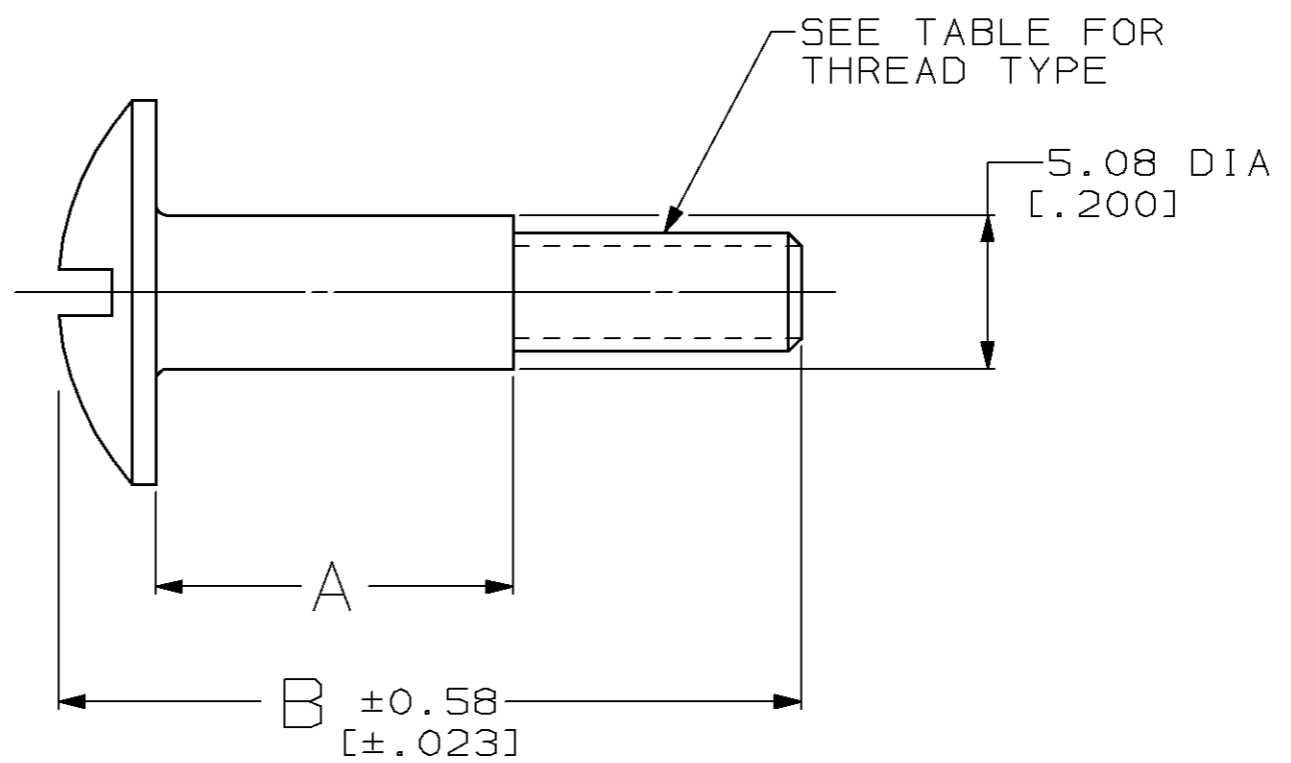
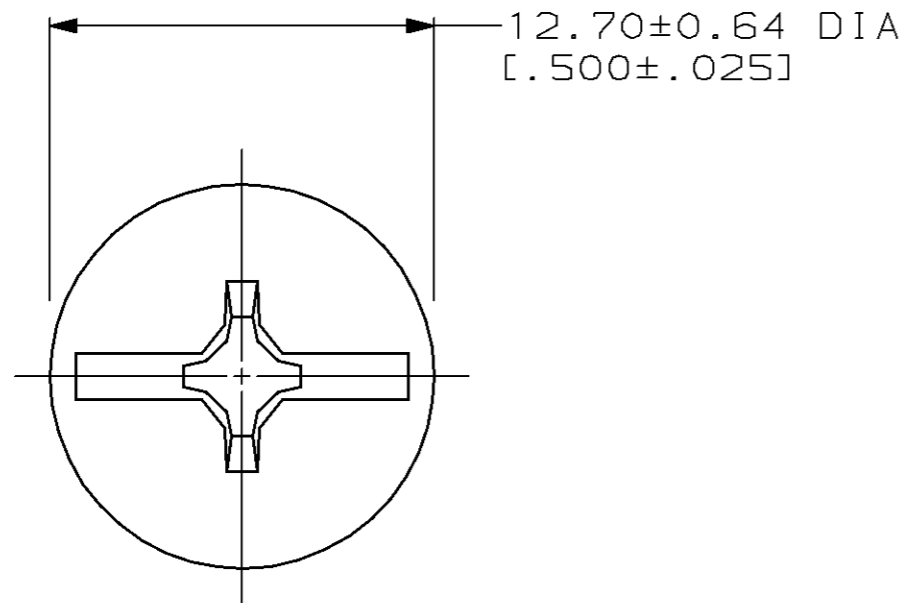
**www.Jameco.com ♦ 1-800-831-4242**

The content and copyrights of the attached  
material are the property of its owner.

Jameco Part Number 839383

THIS DRAWING IS UNPUBLISHED. RELEASED FOR PUBLICATION, 19 .  
 © COPYRIGHT 19 BY AMP INCORPORATED. ALL INTERNATIONAL RIGHTS RESERVED.

| LOC | DIST | P | F | ZONE | LTR | DESCRIPTION                       | DATE      | APPD |
|-----|------|---|---|------|-----|-----------------------------------|-----------|------|
| FT  | 13   |   |   |      | L   | OBSOLETE -2<br>PER EC 0020-596-96 | 08 JAN 97 | MM   |
|     |      |   |   |      | M   | REV PER EC 0320-0364-97           | 27 APR 98 | MM   |



|          |               |              |              |          |
|----------|---------------|--------------|--------------|----------|
|          | 34.29 [1.350] | 21.69 [.854] | SAE 6/32     | 208211-6 |
|          | 24.54 [.966]  | 11.81 [.465] | SAE 6/32     | 208211-4 |
|          | 34.29 [1.350] | 21.69 [.854] | M4 x 0.7-6g  | 208211-3 |
| OBSOLETE | 34.29 [1.350] | 21.69 [.854] | SELF TAPPING | 208211-2 |
|          | 24.54 [.966]  | 11.81 [.465] | M4 x 0.7-6g  | 208211-1 |
|          | B             | A            | THREAD       | PART NO  |

|   |  |                            |  |                    |                      |
|---|--|----------------------------|--|--------------------|----------------------|
| DO NOT SCALE PRINT. UNLESS SPECIFIED DIMENSIONS IN mm [INCHES] TOLERANCES ON:<br>2 PLC DEC ± 0.13 [.005]<br>3 PLC DEC ± -<br>ANGLES ± - |  | DR 02/24/92<br>L.SIPE      | <b>AMP</b> AMP Incorporated<br>Harrisburg, PA 17105-3608 |                    |                      |
| MATERIAL<br>STAINLESS STEEL   |  | CHK 3-1-92<br>J. McCLINTON |  |                    |                      |
| FINISH<br>-   |  | APPD 3-1-92<br>A. TRAVIS   | NAME<br>SCREW, SHOULDER,<br>SPECIAL, METRIMATE           |                    |                      |
|   |  | APPD 3-2-92<br>C. ROHDE    |  |                    |                      |
|   |  | PRODUCT SPEC<br>-          | SIZE<br>B  | CAGE CODE<br>00779 | DRAWING NO<br>208211 |
|   |  | APPLICATION SPEC<br>-      | SCALE<br>4:1   | SHEET<br>1 OF 1    |                      |
|   |  | WEIGHT<br>-                |  |                    |                      |