

Distributed by:

**JAMECO**<sup>®</sup>  
ELECTRONICS

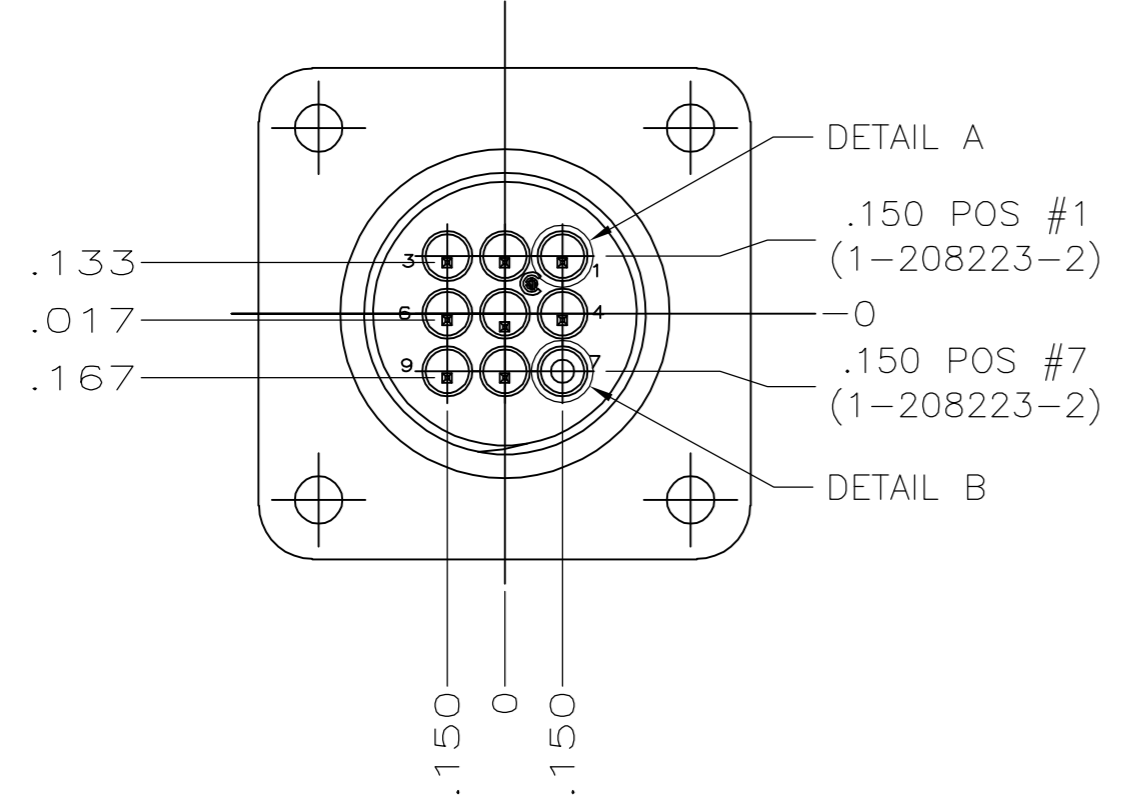
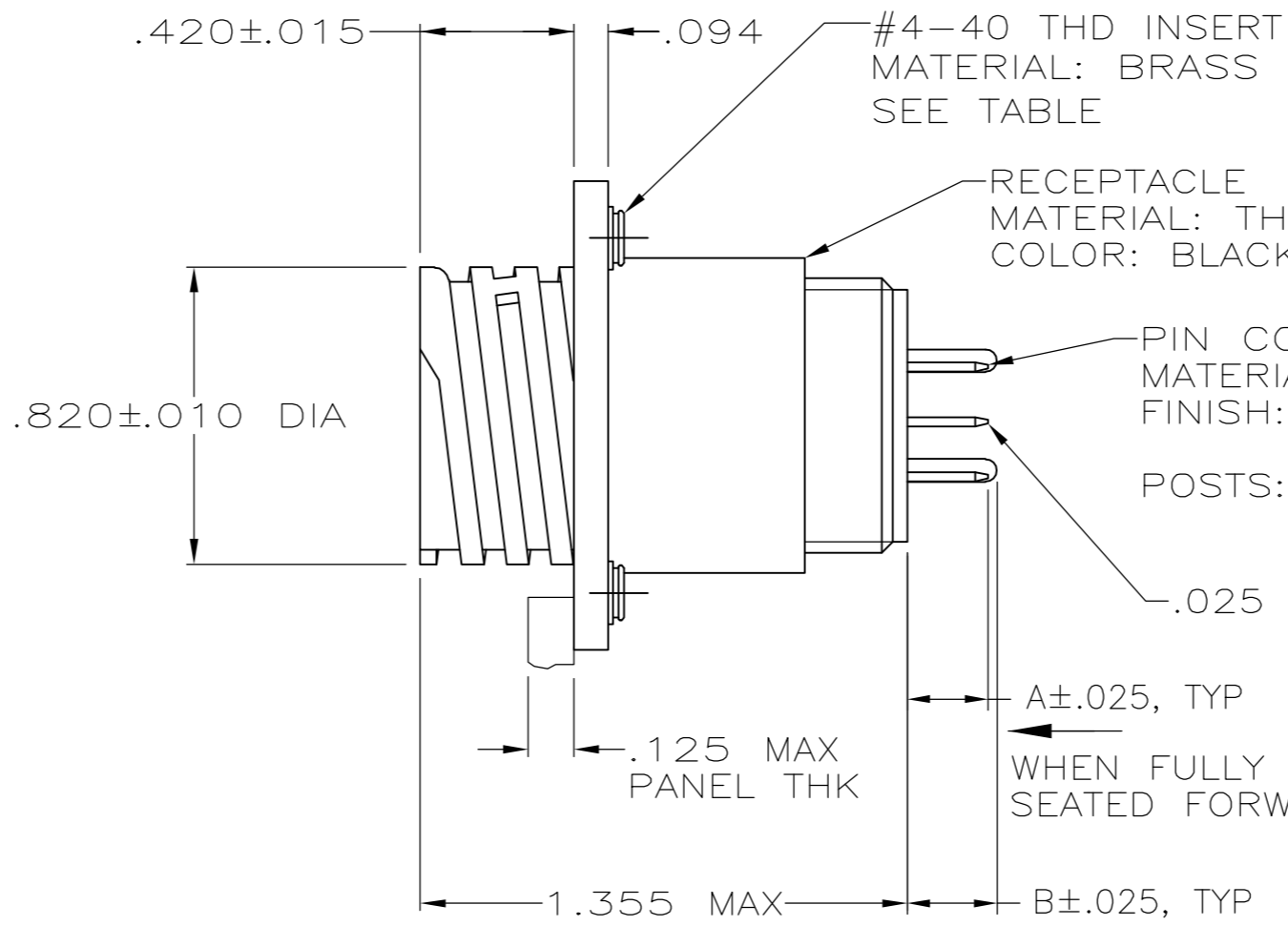
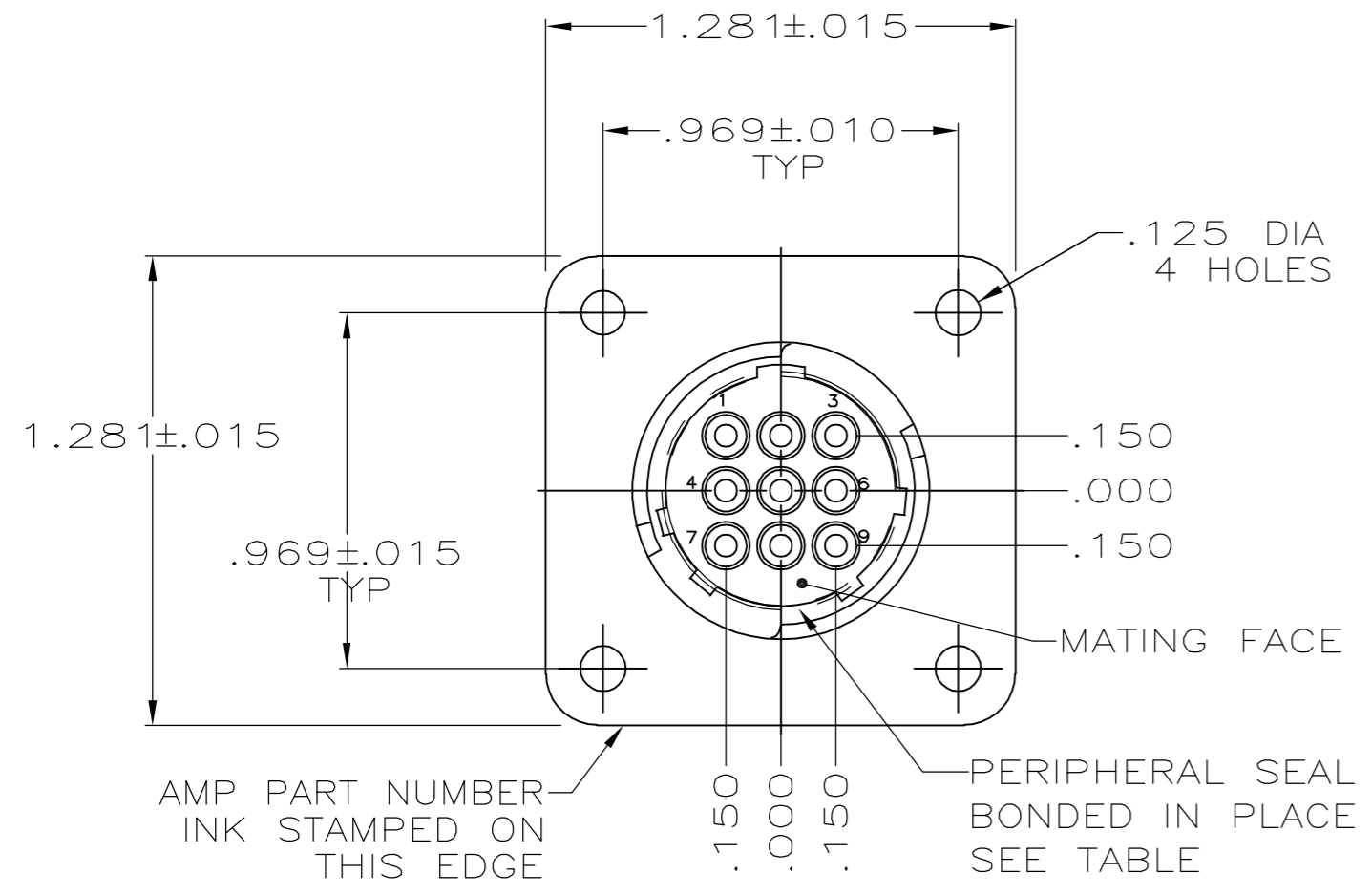
**www.Jameco.com ♦ 1-800-831-4242**

The content and copyrights of the attached  
material are the property of its owner.

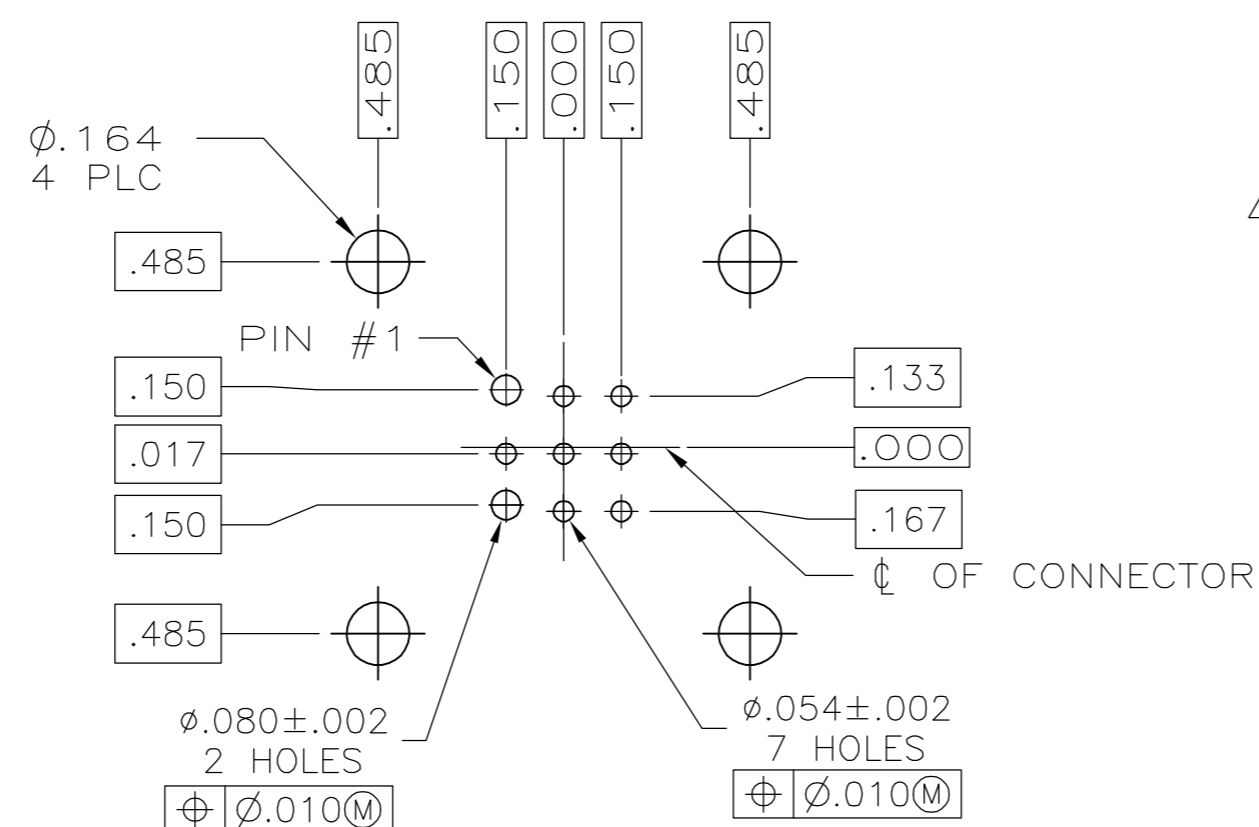
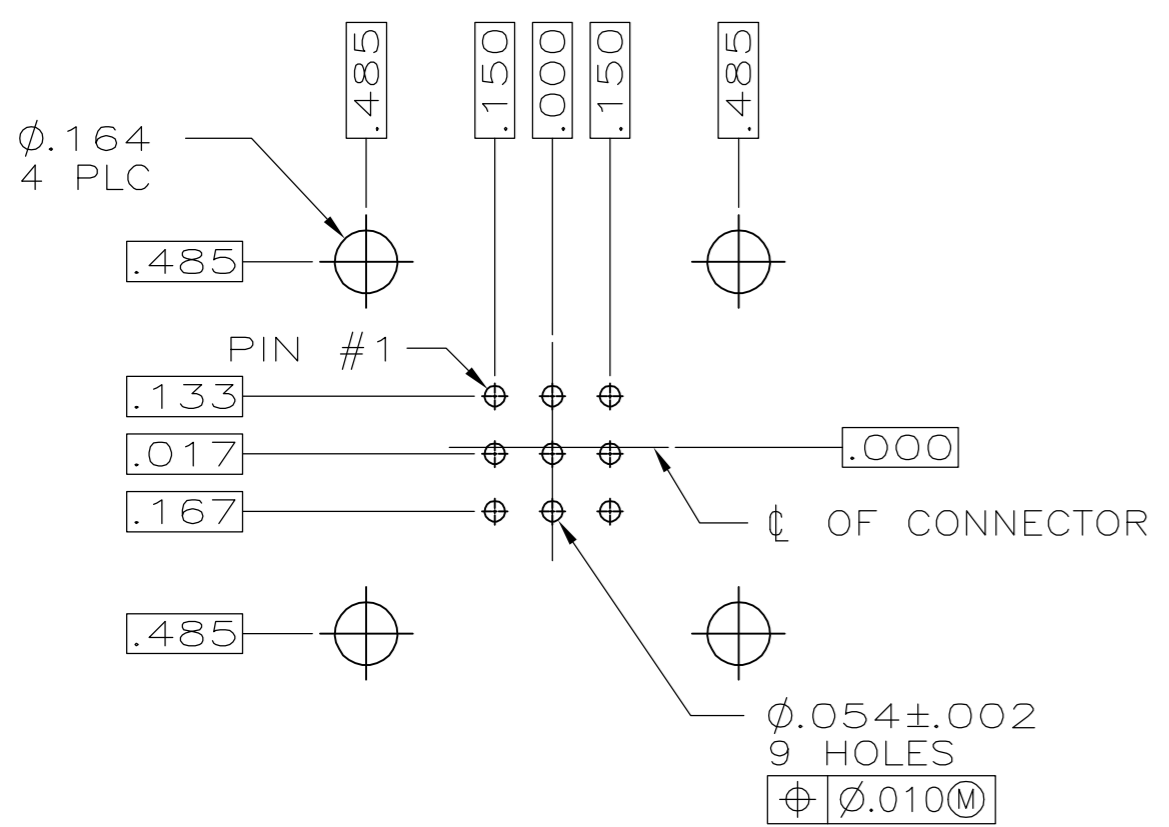
Jameco Part Number 919498

THIS DRAWING IS UNPUBLISHED. RELEASED FOR PUBLICATION  
 © COPYRIGHT BY TYCO ELECTRONICS CORPORATION. ALL RIGHTS RESERVED.

REVISIONS				DATE	DWN	APVD
P	LTR	DESCRIPTION				
S		REVISED PER ECO-06-7353	3/31/06	SS	SH	



- 1 1-66460-0 WILL BE SELECTIVELY LOADED INTO POSITIONS 2, 4, 6, 7, 9 AND 66464-3 WILL BE LOADED INTO POSITIONS 1, 3, 5, 8 OF THE HOUSING.
- 2 LOAD ALL POSITIONS EXCEPT POSITION NUMBER 4.
- 3 TIN PLATED CONTACTS.
- 4 194264-1 LOADED INTO POSITIONS 1 & 7.



PLC	THD	PERIPHERAL SEAL	THREADED INSERTS	PART NUMBER
4	.245	NO	YES	1-208223-2
3	—	NO	YES	1-208223-0
3	—	NO	NO	208223-9
PRELIMINARY	—	YES	NO	208223-8
PRELIMINARY	—	NO	NO	208223-7
PRELIMINARY	—	.618	YES	208223-6
PRELIMINARY	—	.220	YES	208223-5
1	—	.220	NO	208223-4
—	—	.220	YES	208223-3
OBSOLETE	—	.429	NO	208223-2
—	—	.220	NO	208223-1

THIS DRAWING IS A CONTROLLED DOCUMENT.

DIMENSIONS: INCHES	TOLERANCES UNLESS OTHERWISE SPECIFIED:	DWN R.LEE BG 6-22-91	Tyco Electronics Corporation Harrisburg, PA 17105-3608
0 PLC ± -	1 PLC ± -	CHK W.G.LENKER 4-14-92	
2 PLC ± -	3 PLC ± .005	APVD -	NAME
4 PLC ± -	ANGLES ± -	PRODUCT SPEC 108-10024	RECEPTACLE ASSEMBLY, POSTED, STD SEX, SERIES 1, 13-9, CPC
MATERIAL SEE CALLOUT	FINISH SEE CALLOUT	WEIGHT -	SIZE A2
CUSTOMER DRAWING		SCALE 2:1	CAGE CODE 00779
		SHEET 1 of 1	DRAWING NO C=208223
		REV S	RESTRICTED TO -