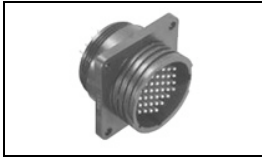


208223-9 Product Details

[Share](#) [Print](#) [Email](#)



208223-9

TE Internal Number: 208223-9

 Active

 [View 3D PDF](#)

CPC (Circular Plastic) and Circular Metal-Shell Connectors

 Always EU RoHS/ELV Compliant (Statement of Compliance)

Product Highlights:

- Connector Assembly
- Connector Style = Receptacle
- 9 Positions
- 9 Signal Positions
- 0 Power Positions

[View all Features](#)

Quick Links

- [▶ Pricing & Availability](#)
- [▶ Search for Tooling](#)
- [▶ Product Feature Selector](#)
- [▶ Contact Us About This Product](#)

[Add to My Part List](#)

[Request Sample](#)

[Find Similar Products](#)

[Buy Product](#)

Documentation & Additional Information

Product Drawings:

- [RECEPTACLE ASSEMBLY, POSTED, STD SEX, SERIES 1, 13-9...](#) (PDF, English)

Catalog Pages/Data Sheets:

- [AMP Circular Connectors for Commercial Signal & Powe...](#) (PDF, English)

Product Specifications:

- None Available

Application Specifications:

- [Circular Plastic Connectors \(CPC\)](#) (PDF, English)

Instruction Sheets:

- None Available

CAD Files: (CAD Format & Compression Information)

- [2D Drawing](#) (DXF, Version S2)
- [3D Model](#) (IGES, Version S2)
- [3D Model](#) (STEP, Version S2)

[List all Documents](#)

Additional Product Images:

- [Contact Arrangement](#)
- [Keying Options](#)

Related Products:

- [Tooling](#)

Product Features (Please use the Product Drawing for all design activity)

Product Type Features:

- Connector Type = Connector Assembly
- Mount Angle = Straight
- Shell Size = 13
- PCB Mount Retention = Without
- Shell Type = All Plastic
- Product Series = Series 1
- Thread Size = 3/4 - 20 UNEF-2A
- Sealed = No

Mechanical Attachment:

- Mount = Panel
- Mating Retention Type = Threaded Coupling

Termination Features:

- [Contact Termination Type](#) = Through Hole
- [Termination Method](#) = Solder
- Termination End Plating = Tin over Nickel
- Termination Post Length (mm [in]) = 5.59 [0.220]

Body Features:

- Mount Style = Flange with Mounting Holes

Contact Features:

- Contact Type = Pin
- [Contact Plating, Mating Area, Material](#) = Gold (30)
- Reverse Gender = Standard
- Contact Base Material = Copper Alloy

Housing Features:

- Connector Style = Receptacle
- Mating Alignment Type = Keyed
- Housing Material = Thermoplastic - GF
- Housing Color = Black
- UL Flammability Rating = UL 94V-0

Configuration Features:

- [Number of Positions](#) = 9
- [Number of Signal Positions](#) = 9
- [Number of Power Positions](#) = 0
- [Environmental Protection](#) = Without
- [Reverse Numbering](#) = Without

Industry Standards:

- [VDE Tested](#) = No
- [RoHS/ELV Compliance](#) = RoHS compliant, ELV compliant
- [Lead Free Solder Processes](#) = Wave solder capable to 260°C, Wave solder capable to 240°C, Wave solder capable to 265°C
- [RoHS/ELV Compliance History](#) = Always was RoHS compliant

Identification Marking:

- Keying = A

Environmental:

- [Fluid Resistance](#) = None

Conditions for Usage:

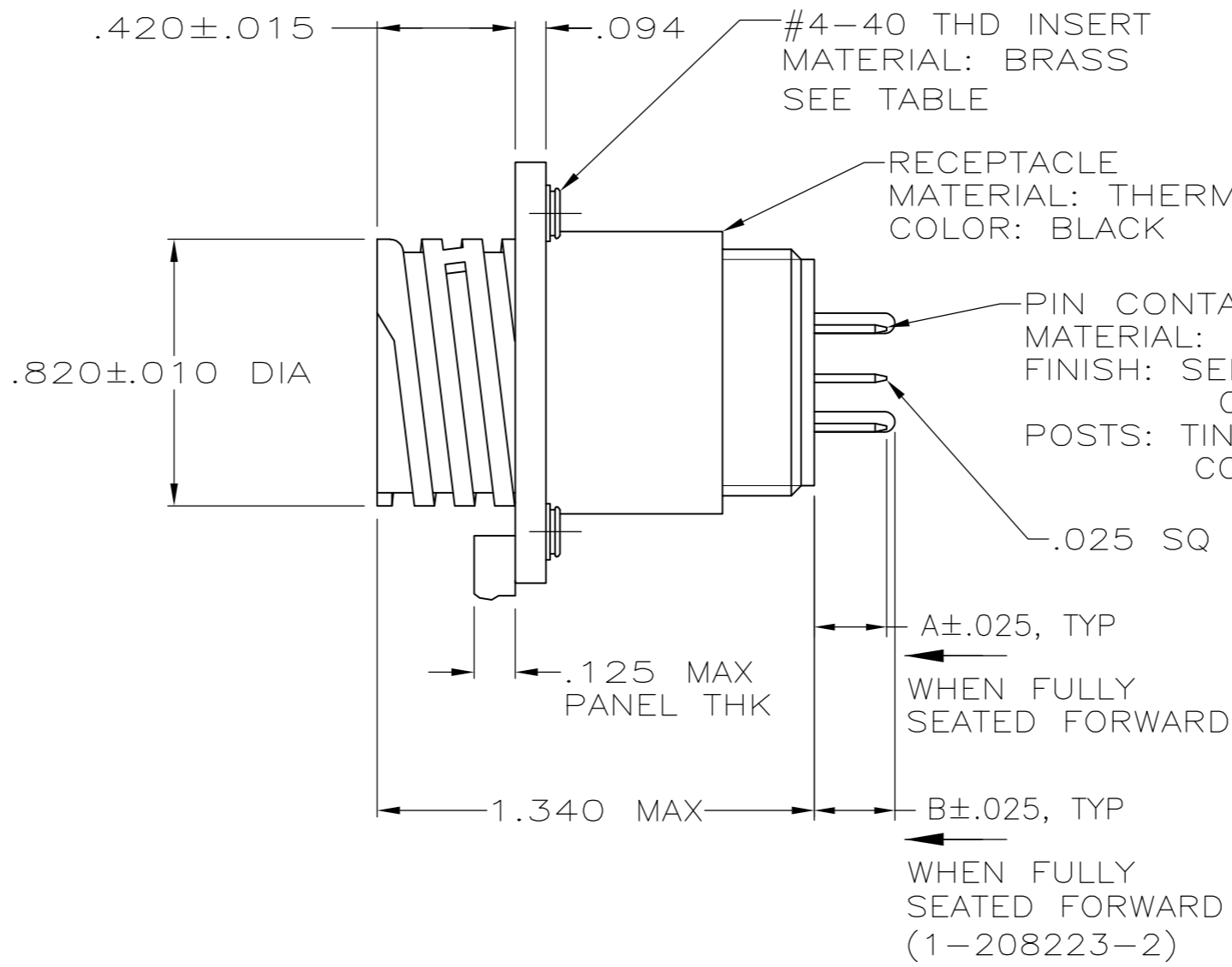
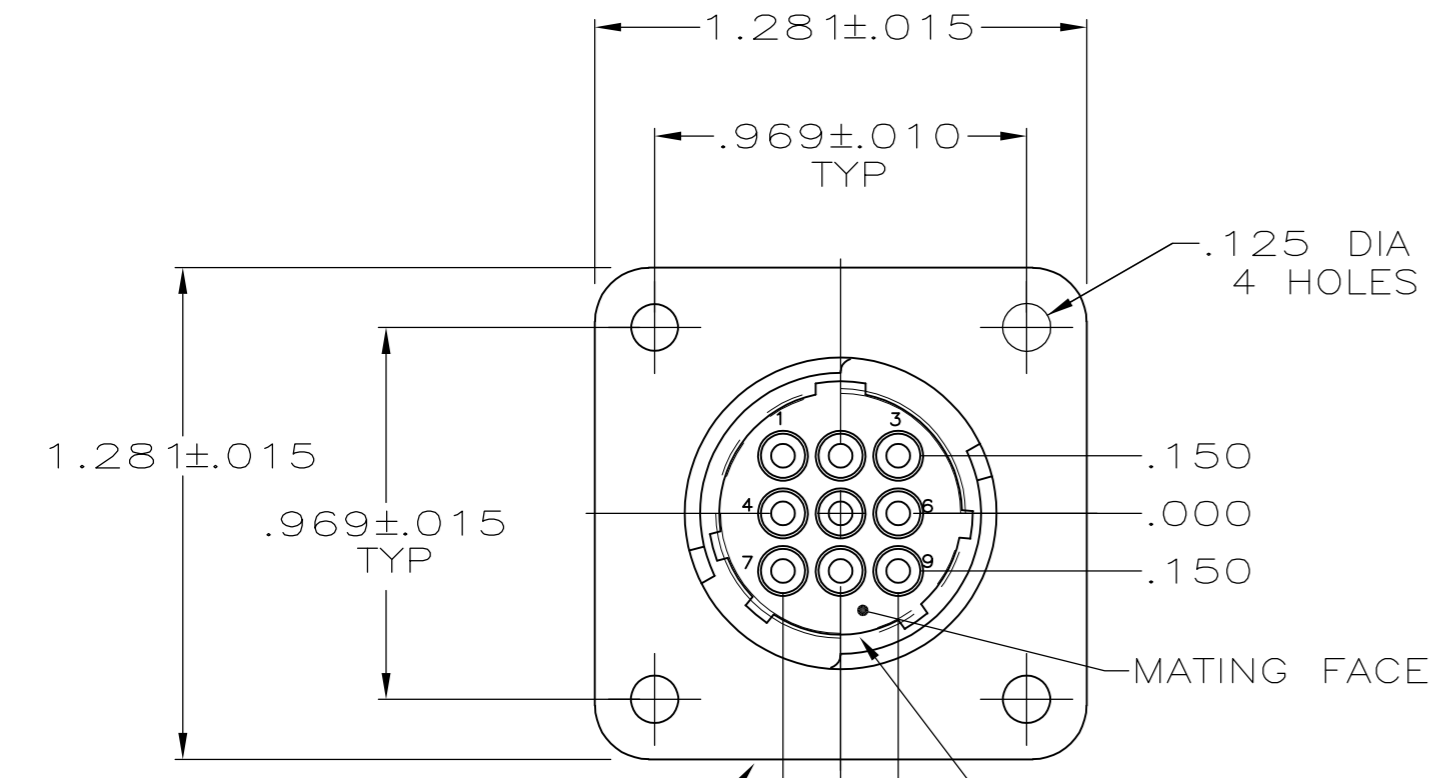
- [Applies To](#) = Printed Circuit Board

Other:

- Brand = AMP
- Comment = Commercial item.

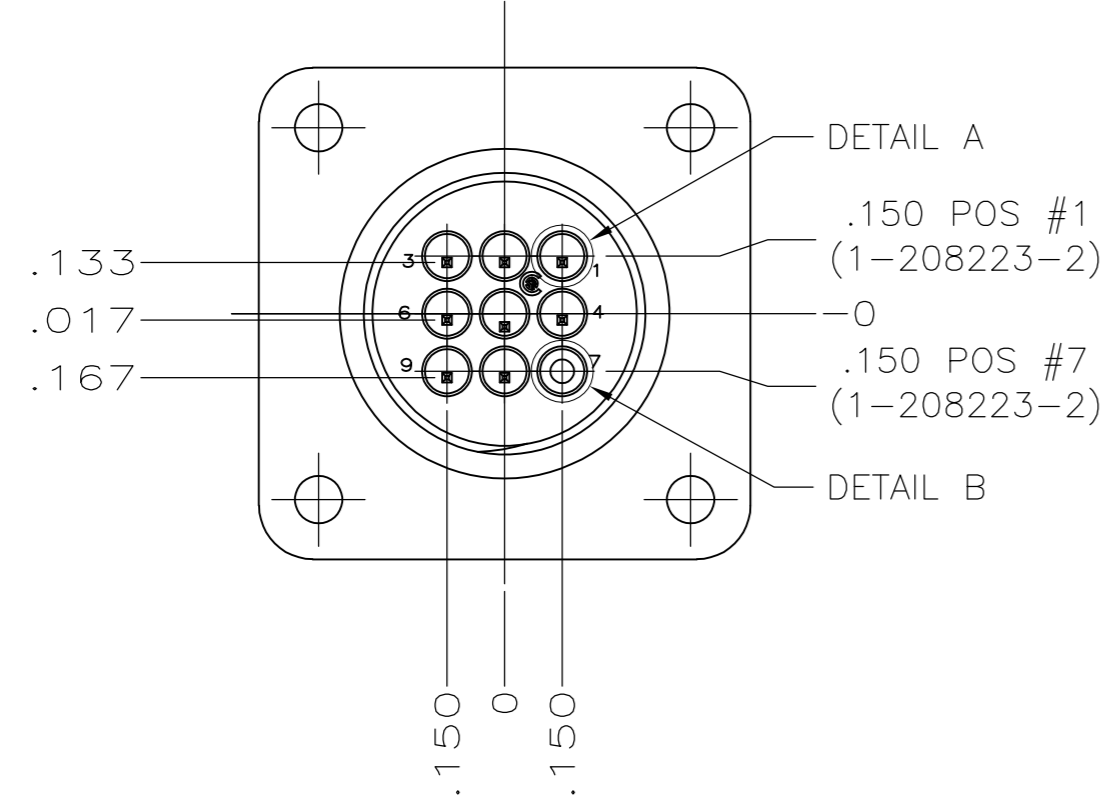
THIS DRAWING IS UNPUBLISHED. RELEASED FOR PUBLICATION
 © COPYRIGHT - By - ALL RIGHTS RESERVED.

LOC		DIST		REVISIONS			
P	LTR	DESCRIPTION	DATE	DWN	APVD		
FT	0						
		T	REVISED PER ECO-12-015665	26SEP12	KH	MZ	



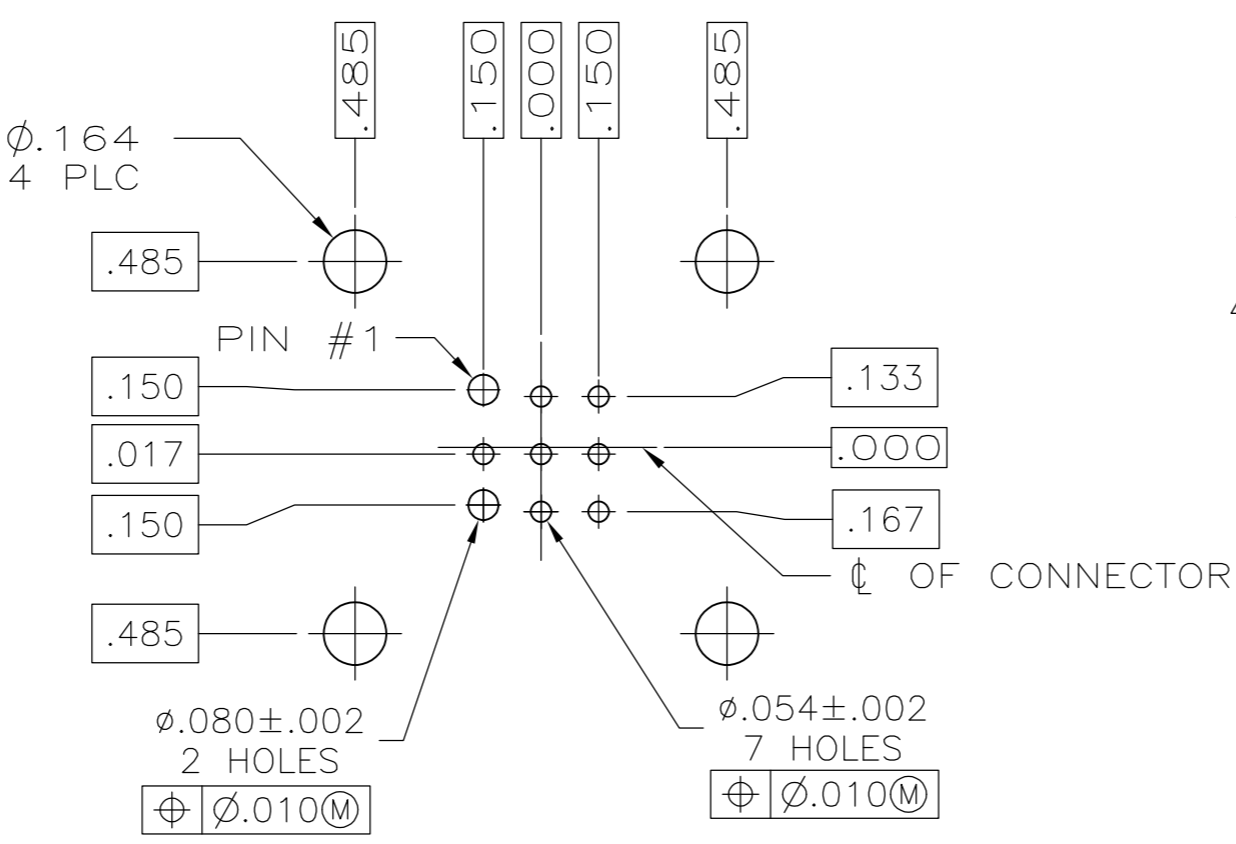
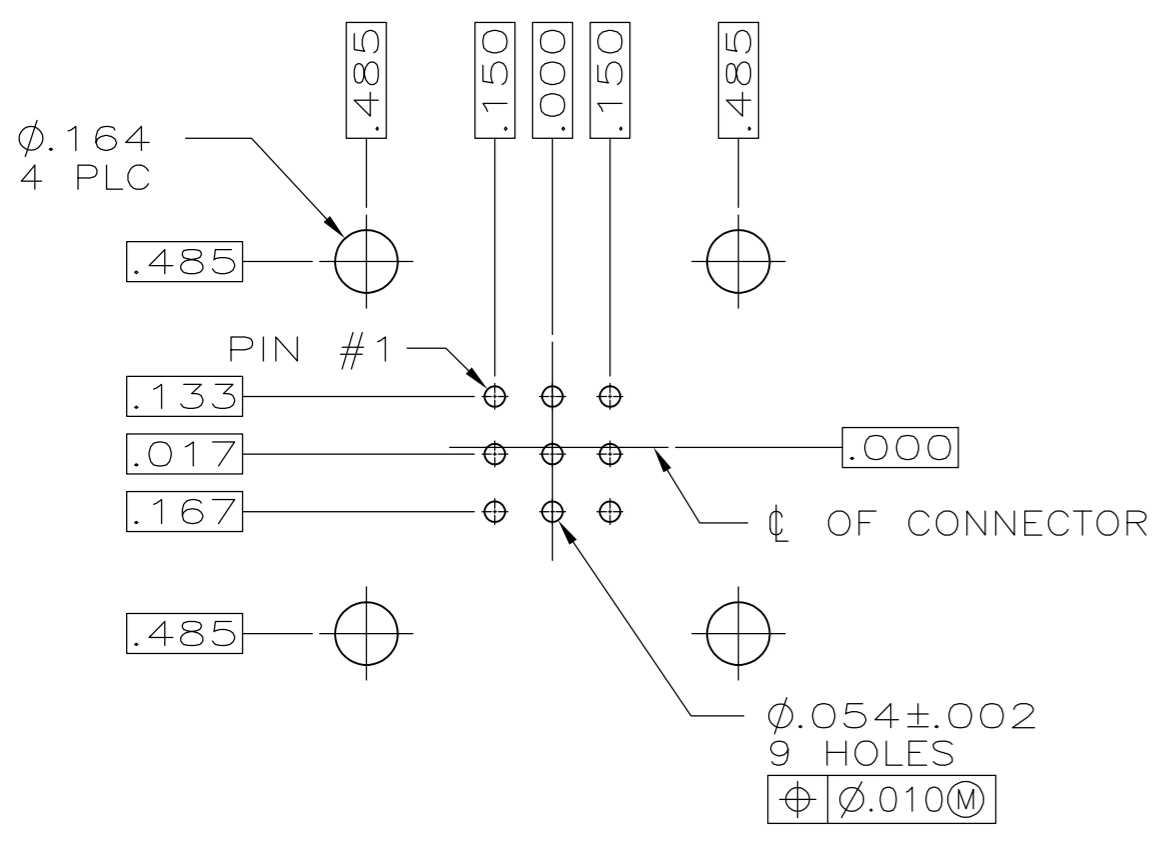
PART NUMBER AND DATE CODE MARKED ON ANY FLANGE EDGE

PERIPHERAL SEAL BONDED IN PLACE SEE TABLE



- 1 1-66460-0 WILL BE SELECTIVELY LOADED INTO POSITIONS 2, 4, 6, 7, 9 AND 66464-3 WILL BE LOADED INTO POSITIONS 1, 3, 5, 8 OF THE HOUSING.
- 2 LOAD ALL POSITIONS EXCEPT POSITION NUMBER 4.
- 3 TIN PLATED CONTACTS.
- 4 194264-1 LOADED INTO POSITIONS 1 & 7.
- 5 OBSOLETE PARTS: OBSOLETE CIS STREAMLINING PER D.RENAUD/D.SINISI

	B	A	PERIPHERAL SEAL	THREADED INSERTS	PART NUMBER
4	.245	.220	NO	YES	1-208223-2
3	-	.220	YES	YES	1-208223-1
3	-	.220	NO	YES	1-208223-0
3	-	.220	NO	NO	208223-9
PRELIMINARY	-	.220	YES	NO	208223-8
PRELIMINARY	-	.220	NO	NO	208223-7
PRELIMINARY	-	.618	NO	YES	208223-6
OBSOLETE	-	.220	YES	YES	208223-5
1	-	.220	NO	NO	208223-4
-	-	.220	NO	YES	208223-3
OBSOLETE	-	.429	NO	NO	208223-2
-	-	.220	NO	NO	208223-1



THIS DRAWING IS A CONTROLLED DOCUMENT.

DWN: R.LEE BG 6-22-91
 CHK: W.G.LENKER 4-14-92
 APVD: -

TE Connectivity

RECEPTACLE ASSEMBLY, POSTED, STD SEX, SERIES 1, 13-9, CPC

PRODUCT SPEC: 108-10024

SCALE: 2:1 SHEET: 1 of 1