



Have a Question?
 Chat with a Product Information Specialist

What can we help you find?

[Products](#) |
 [Industries](#) |
 [Resources](#) |
 [About TE](#) |
 [My Account](#) |
 [Innovation](#) |
 [Support Center](#)

208473-1 Product Details

[Share](#) |
 [Print](#) |
 [Email](#)



208473-1

TE Internal Number: 208473-1

Active

View 3D PDF

CPC (Circular Plastic) and Circular Metal-Shell Connectors

Always EU RoHS/ELV Compliant (Statement of Compliance)

Product Highlights:

- Housing
- Connector Style = Receptacle
- 37 Positions
- 37 Signal Positions
- 0 Power Positions

[View all Features](#)

Quick Links

- ▶ [Pricing & Availability](#)
- ▶ [Search for Tooling](#)
- ▶ [View Mating Products \(2\)](#)
- ▶ [Product Feature Selector](#)
- ▶ [Contact Us About This Product](#)

[Add to My Part List](#) |
 [Request Sample](#) |
 [Find Similar Products](#) |
 [Buy Product](#)

Documentation & Additional Information	
<p>Product Drawings:</p> <ul style="list-style-type: none"> • RECEPTACLE ASSEMBLY, REV SEX, SERIES 1, 28-37, CMC (PDF, English) <p>Catalog Pages/Data Sheets:</p> <ul style="list-style-type: none"> • AMP Circular Connectors for Commercial Signal & Powe... (PDF, English) <p>Product Specifications:</p> <ul style="list-style-type: none"> • None Available <p>Application Specifications:</p> <ul style="list-style-type: none"> • Circular Plastic Connectors (CPC) (PDF, English) <p>Instruction Sheets:</p> <ul style="list-style-type: none"> • AMP* METAL SHELL CPC (CIRCULAR PLASTIC CONNECTORS) (PDF, English) <p>CAD Files: (CAD Format & Compression Information)</p> <ul style="list-style-type: none"> • 2D Drawing (DXF, Version J) • 3D Model (IGES, Version J) • 3D Model (STEP, Version J) 	<p>Related Products:</p> <ul style="list-style-type: none"> • Tooling • Mating Products (2)

[List all Documents](#)

Product Features (Please use the Product Drawing for all design activity)	
<p>Product Type Features:</p> <ul style="list-style-type: none"> • Connector Type = Housing • Mount Angle = Straight • Shell Size = 28 • PCB Mount Retention = Without • Shell Type = Metal • Product Series = Series 1 • Thread Size = 1-3/8 - 18 UNEF-2A • Sealed = No • Shell Material = Zinc alloy <p>Mechanical Attachment:</p> <ul style="list-style-type: none"> • Mount = Panel • Mating Retention Type = Threaded Coupling <p>Body Features:</p> <ul style="list-style-type: none"> • Mount Style = Flange with Threaded Inserts • Shell Plating = Nickel <p>Contact Features:</p> <ul style="list-style-type: none"> • Contact Type = Socket • Reverse Gender = Reverse <p>Housing Features:</p> <ul style="list-style-type: none"> • Connector Style = Receptacle • Mating Alignment Type = Keyed • Housing Material = Thermoplastic - GF 	<p>Configuration Features:</p> <ul style="list-style-type: none"> • Number of Positions = 37 • Number of Signal Positions = 37 • Number of Power Positions = 0 • Environmental Protection = Without • Reverse Numbering = Without <p>Industry Standards:</p> <ul style="list-style-type: none"> • VDE Tested = No • RoHS/ELV Compliance = RoHS compliant, ELV compliant • Lead Free Solder Processes = Not relevant for lead free process • RoHS/ELV Compliance History = Always was RoHS compliant <p>Environmental:</p> <ul style="list-style-type: none"> • Fluid Resistance = None <p>Conditions for Usage:</p> <ul style="list-style-type: none"> • Accepts Wire Insulation Diameter, Range (mm [in]) = 2.54 [0.100] <p>Other:</p> <ul style="list-style-type: none"> • Brand = AMP

- Housing Color = Black
- UL Flammability Rating = UL 94V-0

Corporate Information

- [About TE](#)
- [Investors](#)
- [News Room](#)
- [Supplier Portal](#)
- [Careers](#)
- [Terms & Conditions](#)
- [Privacy Policy](#)

Quick Links

- [Distributor Inventory](#)
- [Product Cross Reference](#)
- [Documents & Drawings](#)
- [Product Compliance Support Center](#)
- [Site Map](#)

Customer Support

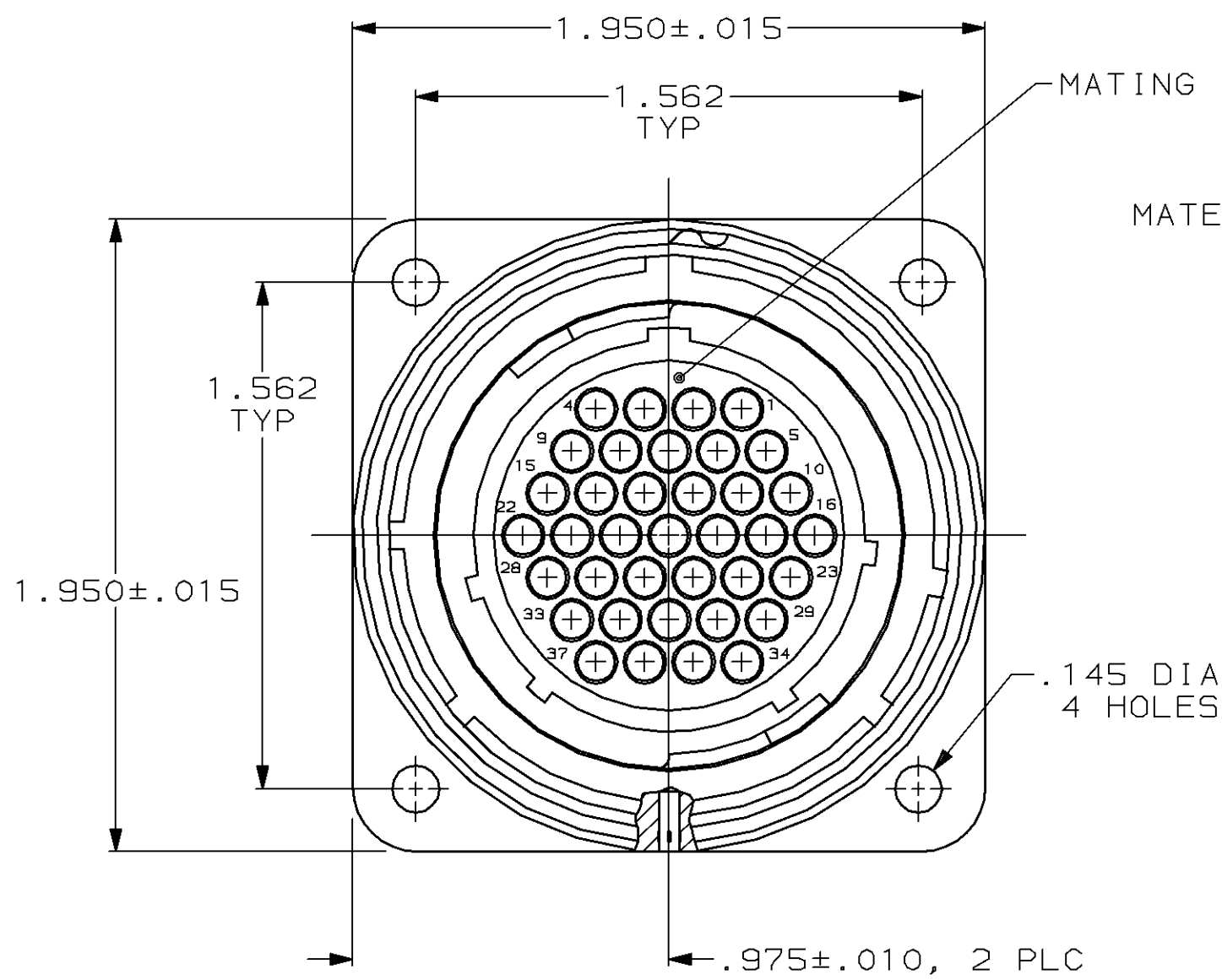
- [Email or Chat With Us](#)
- [Find a Phone Number](#)
- [Knowledge Base](#)
- [Manage Your Account](#)

Keep Me Informed



THIS DRAWING IS UNPUBLISHED. RELEASED FOR PUBLICATION ,19 .
 © COPYRIGHT 19 BY AMP INCORPORATED. ALL INTERNATIONAL RIGHTS RESERVED.

MOD	LOC	DIST	P	F	ZONE	LTR	DESCRIPTION	DATE	APPD
4	BD	35				H	REDRAWN	6-26-91	-
						J	OBS -2 PER EC 0020-0394-93	11/17/94	RK



METAL SHELL RECEPTACLE
 MATERIAL: ZINC ALLOY
 FINISH: NICKEL PLATED
 PER QQ-N-290

GROOVED PIN, 2 PLC
 MATERIAL: STEEL ALLOY
 FINISH: NICKEL PLATED
 PER QQ-N-290

PERIPHERAL SEAL
 SEE TABLE

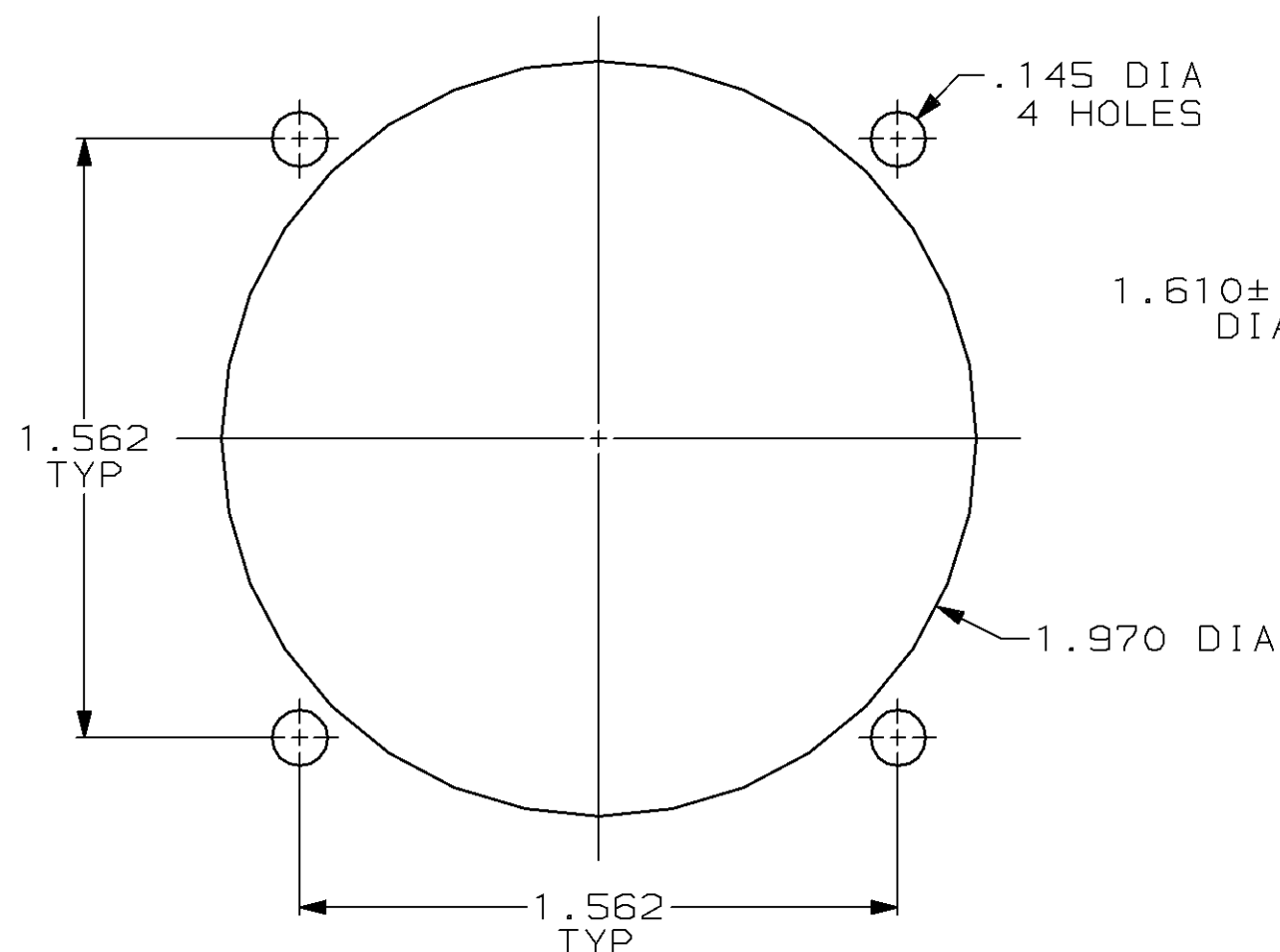
1.900 MAX

.125 MAX
 PANEL THK

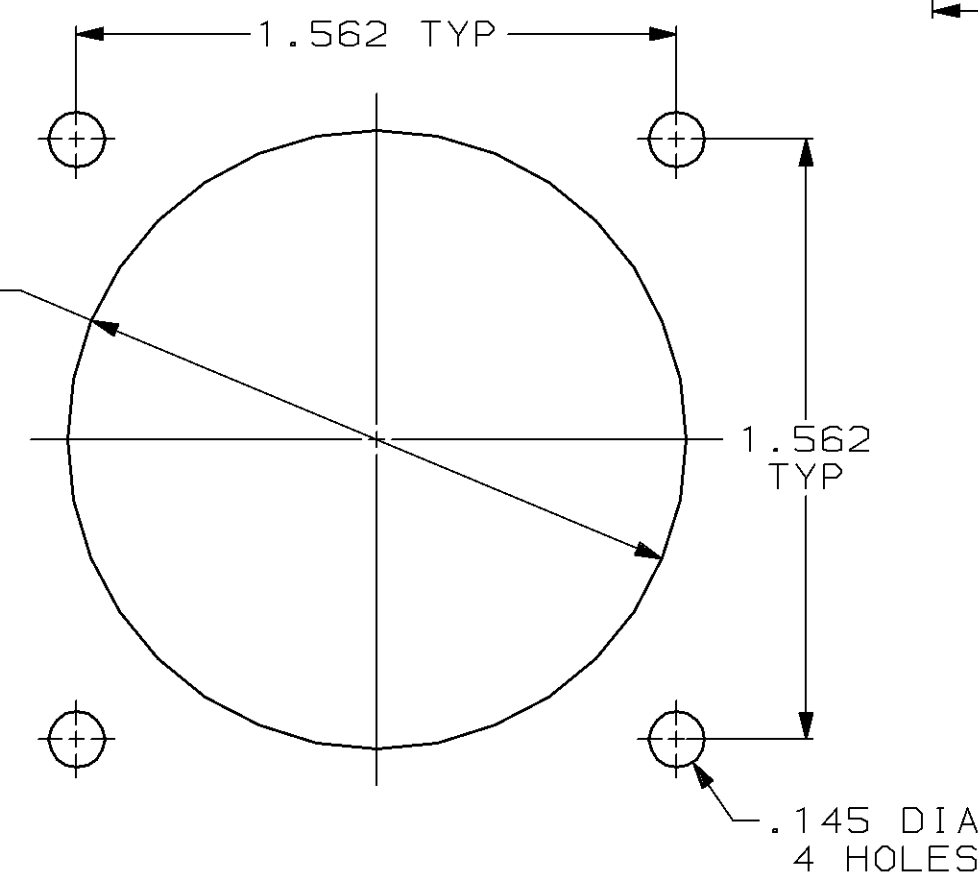
.875±.010

.125±.010

1.260 MAX



1.610±.010
 DIA



FRONT MOUNTED PANEL CUTOUT

REAR MOUNTED PANEL CUTOUT

OBSOLETE	YES	208473-2
	NO	208473-1
PERIPHERAL SEAL		PART NUMBER

- 208473-1 MATES WITH AMP PLUG 208472-1 OR -3. 208473-2 MATES WITH 208472-1 ONLY.
- AMP PART NUMBER AND DATE CODE TO BE LOCATED ON EDGE OF FLANGE.

DO NOT SCALE PRINT. UNLESS SPECIFIED DIMENSIONS IN INCHES TOLERANCES ON :	DR 6-26-91 R.LEE BG	NAME
	CHK 4-15-92 W.G.LENKER	
MATERIAL	APPD 4-15-92 K.BEAVER	RECEPTACLE ASSEMBLY, REV SEX, SERIES 1, 28-37, CMC
	APPD 4-15-92 C.ROHDE	
SEE CALLOUT	PRODUCT SPEC 108-10040	SIZE
FINISH	APPLICATION SPEC -	CAGE CODE
SEE CALLOUT	WEIGHT -	DRAWING NO
		208473
		SCALE 2:1
		SHEET 1 OF 1