

Distributed by:

JAMECO[®]
ELECTRONICS

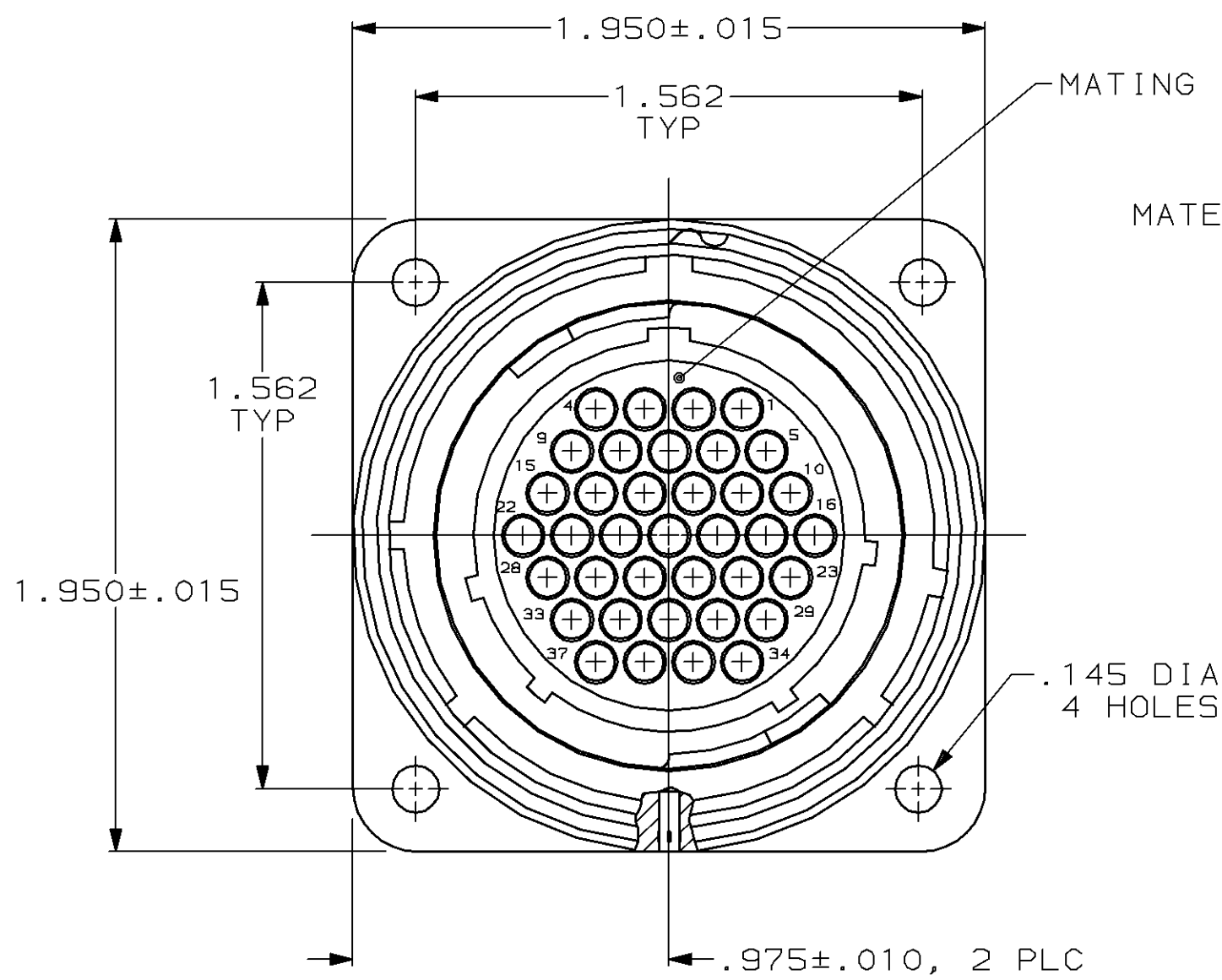
www.Jameco.com ♦ 1-800-831-4242

The content and copyrights of the attached
material are the property of its owner.

Jameco Part Number 919527

THIS DRAWING IS UNPUBLISHED. RELEASED FOR PUBLICATION ,19 .
 © COPYRIGHT 19 BY AMP INCORPORATED. ALL INTERNATIONAL RIGHTS RESERVED.

MOD	LOC	DIST	P	F	ZONE	LTR	DESCRIPTION	DATE	APPD
4	BD	35				H	REDRAWN	6-26-91	-
						J	OBS -2 PER EC 0020-0394-93	11/17/94	RK



METAL SHELL RECEPTACLE
 MATERIAL: ZINC ALLOY
 FINISH: NICKEL PLATED
 PER QQ-N-290

GROOVED PIN, 2 PLC
 MATERIAL: STEEL ALLOY
 FINISH: NICKEL PLATED
 PER QQ-N-290

PERIPHERAL SEAL
 SEE TABLE

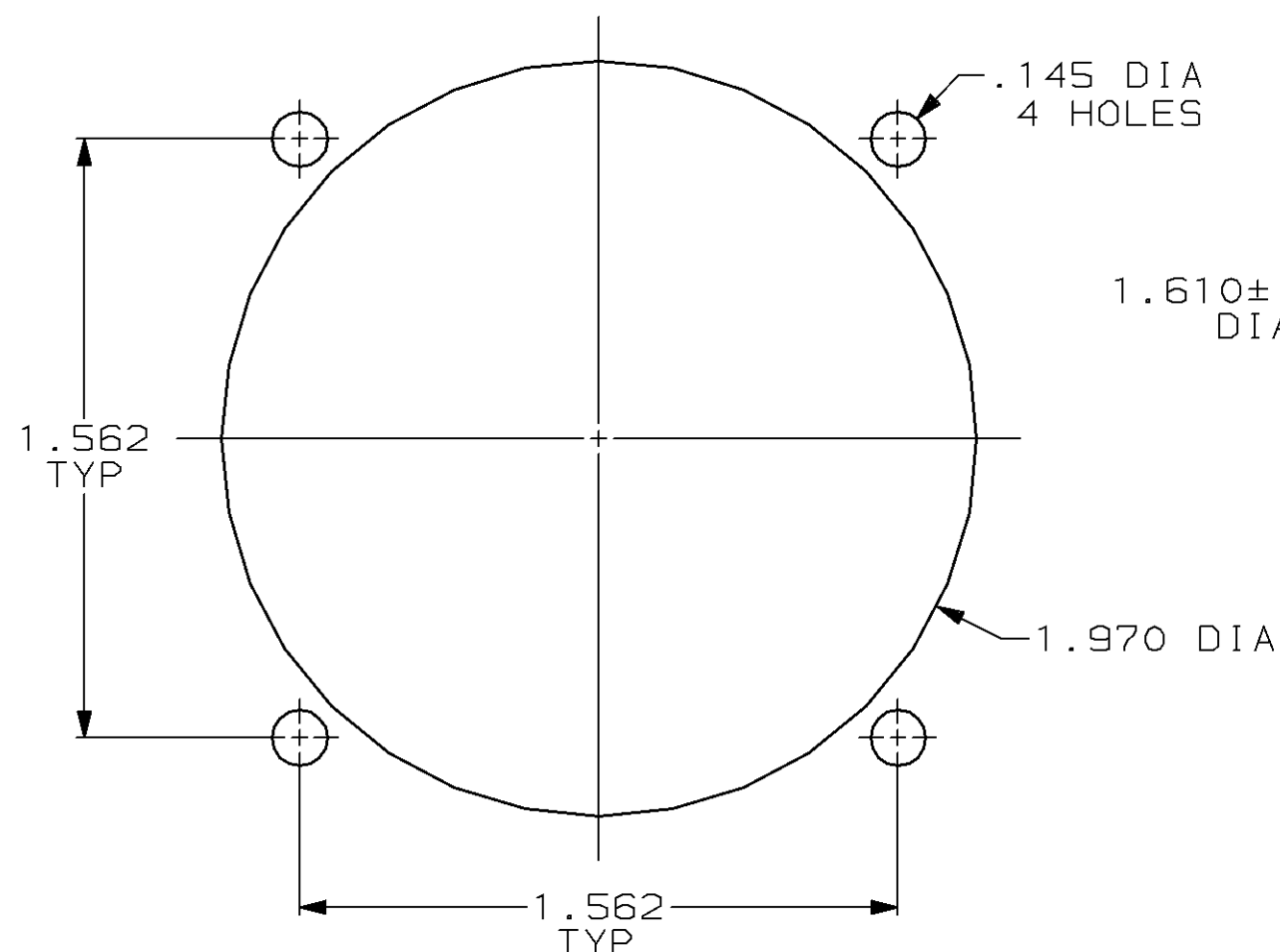
1.900 MAX

.125 MAX
 PANEL THK

.875±.010

.125±.010

1.260 MAX



FRONT MOUNTED PANEL CUTOUT

REAR MOUNTED PANEL CUTOUT

OBSOLETE	YES	208473-2
	NO	208473-1
PERIPHERAL SEAL		PART NUMBER

- 208473-1 MATES WITH AMP PLUG 208472-1 OR -3. 208473-2 MATES WITH 208472-1 ONLY.
- AMP PART NUMBER AND DATE CODE TO BE LOCATED ON EDGE OF FLANGE.

DO NOT SCALE PRINT. UNLESS SPECIFIED DIMENSIONS IN INCHES TOLERANCES ON :
 2 PLC DEC ± -
 3 PLC DEC ± .005
 ANGLES ± -
 MATERIAL SEE CALLOUT
 FINISH SEE CALLOUT

DR 6-26-91 R.LEE BG	AMP Incorporated Harrisburg, PA 17105-3608
CHK 4-15-92 W.G.LENKER	
APPD 4-15-92 K.BEAVER	NAME
APPD 4-15-92 C.ROHDE	RECEPTACLE ASSEMBLY, REV SEX, SERIES 1, 28-37, CMC
PRODUCT SPEC 108-10040	SIZE CAGE CODE DRAWING NO
APPLICATION SPEC -	C 00779 208473
WEIGHT -	SCALE 2:1 SHEET 1 OF 1