



Have a Question?
Chat with a Product Information Specialist

What can we help you find?

Products Industries Resources About TE My Account Innovation Support Center

208484-1 Product Details

Share Print Email



208484-1

TE Internal Number: 208484-1

Active

View 3D PDF

CPC (Circular Plastic) and Circular Metal-Shell Connectors

Always EU RoHS/ELV Compliant (Statement of Compliance)

Product Highlights:

- Housing
- Connector Style = Plug
- 7 Positions
- 0 Signal Positions
- 7 Power Positions

View all Features

Quick Links

- Pricing & Availability
- Search for Tooling
- View Mating Products (1)
- Product Feature Selector
- Contact Us About This Product

Add to My Part List Request Sample Find Similar Products Buy Product

Documentation & Additional Information	
<p>Product Drawings:</p> <ul style="list-style-type: none"> plug assy rev sex series 3 28-7 cmc (PDF, English) <p>Catalog Pages/Data Sheets:</p> <ul style="list-style-type: none"> AMP Circular Connectors for Commercial Signal & Powe... (PDF, English) <p>Product Specifications:</p> <ul style="list-style-type: none"> None Available <p>Application Specifications:</p> <ul style="list-style-type: none"> None Available <p>Instruction Sheets:</p> <ul style="list-style-type: none"> AMP* METAL SHELL CPC (CIRCULAR PLASTIC CONNECTORS) (PDF, English) <p>CAD Files: (CAD Format & Compression Information)</p> <ul style="list-style-type: none"> 2D Drawing (DXF, Version P) 3D Model (IGES, Version P) 3D Model (STEP, Version P) 	<p>Additional Product Images:</p> <ul style="list-style-type: none"> Contact Arrangement Front View <p>Related Products:</p> <ul style="list-style-type: none"> Tooling Mating Products (1)

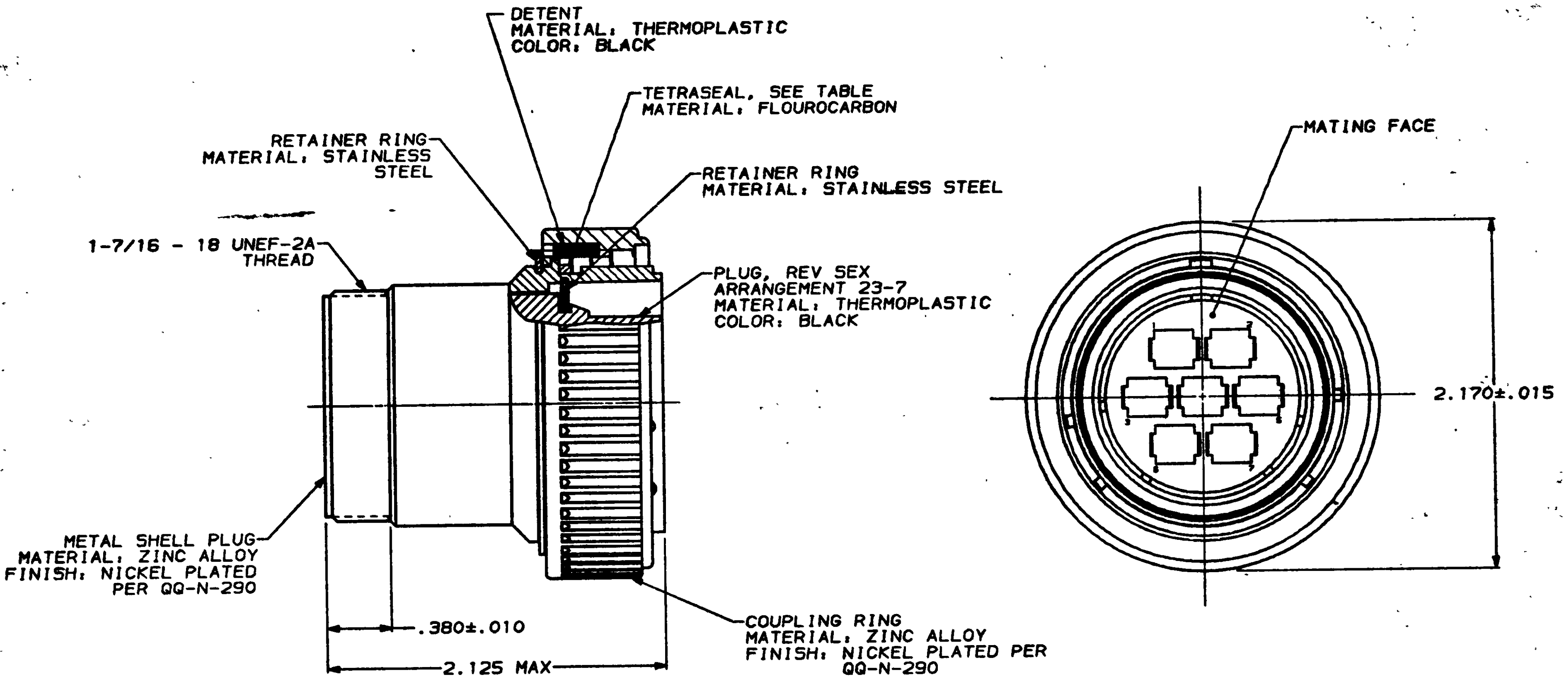
List all Documents

Product Features (Please use the Product Drawing for all design activity)	
<p>Product Type Features:</p> <ul style="list-style-type: none"> Connector Type = Housing Mount Angle = Straight Shell Size = 28 Shell Type = Metal Product Series = Series 3 Thread Size = 1-3/16 - 18 UNEF-2A Sealed = No Shell Material = Zinc alloy <p>Mechanical Attachment:</p> <ul style="list-style-type: none"> Mount = Free Hanging Mating Retention Type = Threaded Coupling <p>Body Features:</p> <ul style="list-style-type: none"> Shell Plating = Nickel <p>Contact Features:</p> <ul style="list-style-type: none"> Contact Type = Pin Reverse Gender = Reverse <p>Housing Features:</p> <ul style="list-style-type: none"> Connector Style = Plug Mating Alignment Type = Keyed Housing Material = Thermoplastic - GF Housing Color = Black III Flammability Rating = III 94V-0 	<p>Configuration Features:</p> <ul style="list-style-type: none"> Number of Positions = 7 Number of Signal Positions = 0 Number of Power Positions = 7 Environmental Protection = Without Reverse Numbering = Without <p>Industry Standards:</p> <ul style="list-style-type: none"> VDE Tested = No RoHS/ELV Compliance = RoHS compliant, ELV compliant Lead Free Solder Processes = Not relevant for lead free process RoHS/ELV Compliance History = Always was RoHS compliant <p>Environmental:</p> <ul style="list-style-type: none"> Fluid Resistance = None <p>Conditions for Usage:</p> <ul style="list-style-type: none"> Accepts Wire Insulation Diameter, Range (mm [in]) = 5.59 [0.220] <p>Other:</p> <ul style="list-style-type: none"> Brand = AMP

DRAWING MADE IN THIRD ANGLE PROJECTION

THIS DRAWING IS UNPUBLISHED. RELEASED FOR PUBLICATION .18
 COPYRIGHT © BY AMP INCORPORATED. ALL INTERNATIONAL RIGHTS RESERVED.

NO		LBR		DTSY		REV		REVISIONS		DATE	APPD
23	BD	35	P	P	ZONE	LTR	DESCRIPTION				
						N	REDRAWN		8-27-91		-
						P	REV PER ECN 805454		08/28/92		KB



YES	208484-3
NO	208484-1
TETRASEAL	PART NUMBER

- 208484-1 MATES WITH AMP RECEPTACLE 208485-1 OR -2.
208484-3 MATES WITH AMP RECEPTACLE 208485-1 ONLY.
- AMP PART NUMBER AND DATE CODE TO BE LOCATED
ON COUPLING RING.

DO NOT SCALE PRINT. UNLESS SPECIFIED DIMENSIONS IN INCHES TOLERANCES ON: 2 PLC DEC * - 3 PLC DEC * - ANGLES * -	DR 8-27-91 R.LEE BG	AMP Incorporated Harrisburg, PA 17105-3808
MATERIAL	CHK 4-20-92 W.G.LENKER	
SEE CALLOUT	APPD 4-20-92 K.BEAVER	
FINISH	APPD 4-20-92 C.RONDE	NAME
SEE CALLOUT	PRODUCT SPEC 108-10040	PLUG ASSEMBLY, REV SEX, SERIES 3, 28-7, CMC
	APPLICATION SPEC	SIZE
	WEIGHT	C 00779
		DRAWING NO
		208484
		SCALE
		2:1
		SHEET
		1 OF 1

CUSTOMER DRAWING