



Have a Question?
 Chat with a Product
 Information Specialist

What can we help you find?

[Products](#) |
 [Industries](#) |
 [Resources](#) |
 [About TE](#) |
 [My Account](#) |
 [Innovation](#) |
 [Support Center](#)

208485-1 Product Details

[Share](#) |
 [Print](#) |
 [Email](#)



208485-1

TE Internal Number: 208485-1

Active

[View 3D PDF](#)

CPC (Circular Plastic) and Circular Metal-Shell Connectors

Always EU RoHS/ELV Compliant (Statement of Compliance)

Product Highlights:

- Housing
- Connector Style = Receptacle
- 7 Positions
- 0 Signal Positions
- 7 Power Positions

[View all Features](#)

Quick Links

- ▶ [Pricing & Availability](#)
- ▶ [Search for Tooling](#)
- ▶ [View Mating Products \(2\)](#)
- ▶ [Product Feature Selector](#)
- ▶ [Contact Us About This Product](#)

[Add to My Part List](#) |
 [Request Sample](#) |
 [Find Similar Products](#) |
 [Buy Product](#)

Documentation & Additional Information	
<p>Product Drawings:</p> <ul style="list-style-type: none"> • RECEPTACLE ASSEMBLY, REV SEX, SERIES 3, 28-7, CMC (PDF, English) <p>Catalog Pages/Data Sheets:</p> <ul style="list-style-type: none"> • AMP Circular Connectors for Commercial Signal & Powe... (PDF, English) <p>Product Specifications:</p> <ul style="list-style-type: none"> • None Available <p>Application Specifications:</p> <ul style="list-style-type: none"> • None Available <p>Instruction Sheets:</p> <ul style="list-style-type: none"> • AMP* METAL SHELL CPC (CIRCULAR PLASTIC CONNECTORS) (PDF, English) <p>CAD Files: (CAD Format & Compression Information)</p> <ul style="list-style-type: none"> • 2D Drawing (DXF, Version K) • 3D Model (IGES, Version K) • 3D Model (STEP, Version K) 	<p>Related Products:</p> <ul style="list-style-type: none"> • Tooling • Mating Products (2)

[List all Documents](#)

Product Features (Please use the Product Drawing for all design activity)	
<p>Product Type Features:</p> <ul style="list-style-type: none"> • Connector Type = Housing • Mount Angle = Straight • Shell Size = 28 • PCB Mount Retention = Without • Shell Type = Metal • Product Series = Series 3 • Thread Size = 1-3/8 - 18 UNEF-2A • Sealed = No • Shell Material = Zinc alloy <p>Mechanical Attachment:</p> <ul style="list-style-type: none"> • Mount = Panel • Mating Retention Type = Threaded Coupling <p>Body Features:</p> <ul style="list-style-type: none"> • Mount Style = Flange with Mounting Holes • Shell Plating = Nickel <p>Contact Features:</p> <ul style="list-style-type: none"> • Contact Type = Socket • Reverse Gender = Reverse <p>Housing Features:</p> <ul style="list-style-type: none"> • Connector Style = Receptacle • Mating Alignment Type = Keyed • Housing Material = Thermoplastic - GF 	<p>Configuration Features:</p> <ul style="list-style-type: none"> • Number of Positions = 7 • Number of Signal Positions = 0 • Number of Power Positions = 7 • Environmental Protection = Without • Reverse Numbering = Without <p>Industry Standards:</p> <ul style="list-style-type: none"> • VDE Tested = No • RoHS/ELV Compliance = RoHS compliant, ELV compliant • Lead Free Solder Processes = Not relevant for lead free process • RoHS/ELV Compliance History = Always was RoHS compliant <p>Environmental:</p> <ul style="list-style-type: none"> • Fluid Resistance = None <p>Conditions for Usage:</p> <ul style="list-style-type: none"> • Accepts Wire Insulation Diameter, Range (mm [in]) = 5.59 [0.220] <p>Other:</p> <ul style="list-style-type: none"> • Brand = AMP

- Housing Color = Black
- UL Flammability Rating = UL 94V-0

Corporate Information

- [About TE](#)
- [Investors](#)
- [News Room](#)
- [Supplier Portal](#)
- [Careers](#)
- [Terms & Conditions](#)
- [Privacy Policy](#)

Quick Links

- [Distributor Inventory](#)
- [Product Cross Reference](#)
- [Documents & Drawings](#)
- [Product Compliance Support Center](#)
- [Site Map](#)

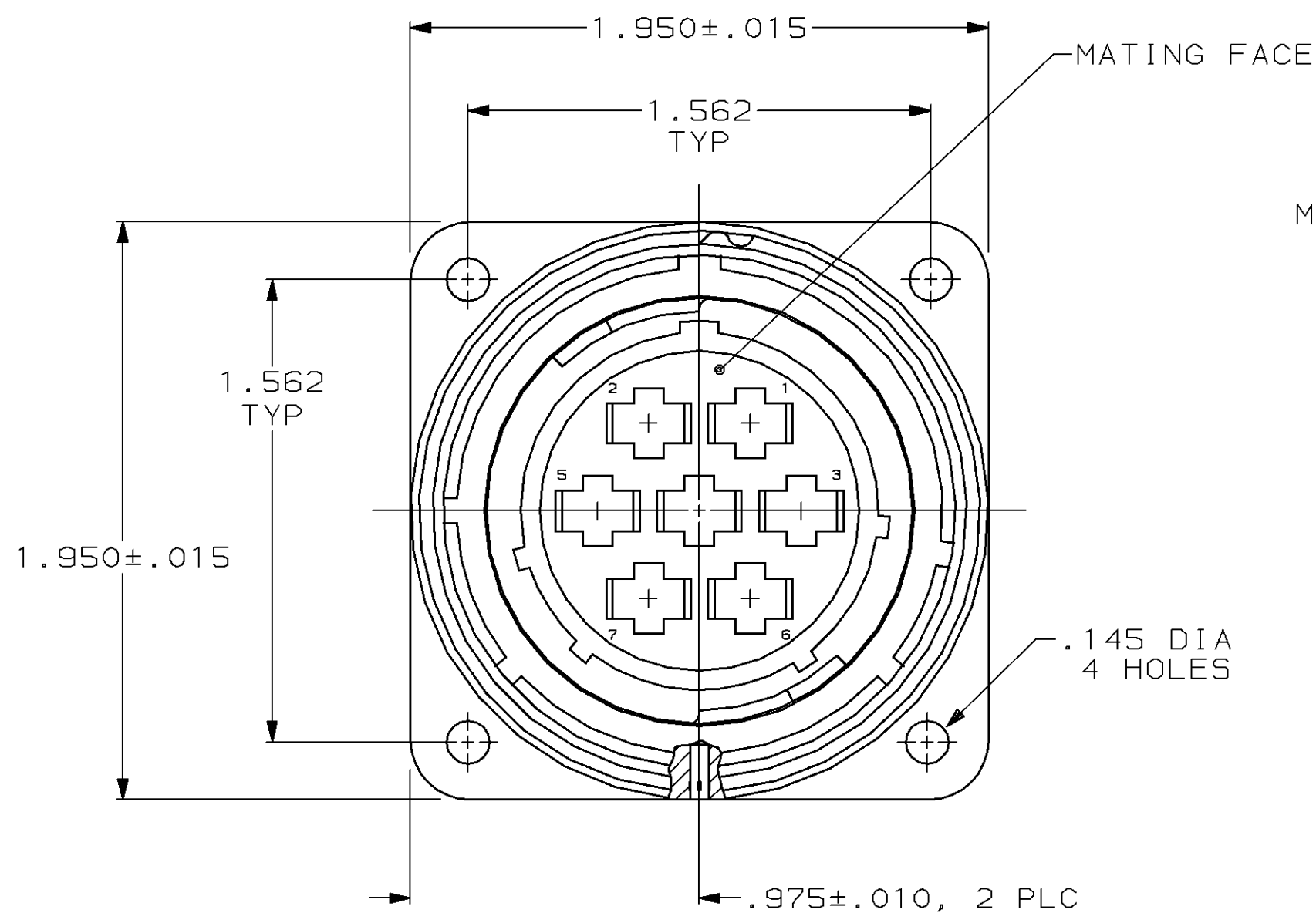
Customer Support

- [Email or Chat With Us](#)
- [Find a Phone Number](#)
- [Knowledge Base](#)
- [Manage Your Account](#)

Keep Me Informed



MOD	LOC	DIST	P	F	ZONE	LTR	DESCRIPTION	DATE	APPD
4	BD	35				J	REDRAWN	6-27-91	-
						K	OBS -2 PER EC 0020-0394-93	11/17/94	RK



RECEPTACLE, REV SEX
 ARRANGEMENT 23-7
 MATERIAL: THERMOPLASTIC
 COLOR: BLACK

METAL SHELL RECEPTACLE
 MATERIAL: ZINC ALLOY
 FINISH: NICKEL PLATED PER QQ-N-290

GROOVE PIN, 2 PLC
 MATERIAL: STEEL ALLOY
 FINISH: NICKEL PLATED
 PER QQ-N-290

PERIPHERAL SEAL
 SEE TABLE

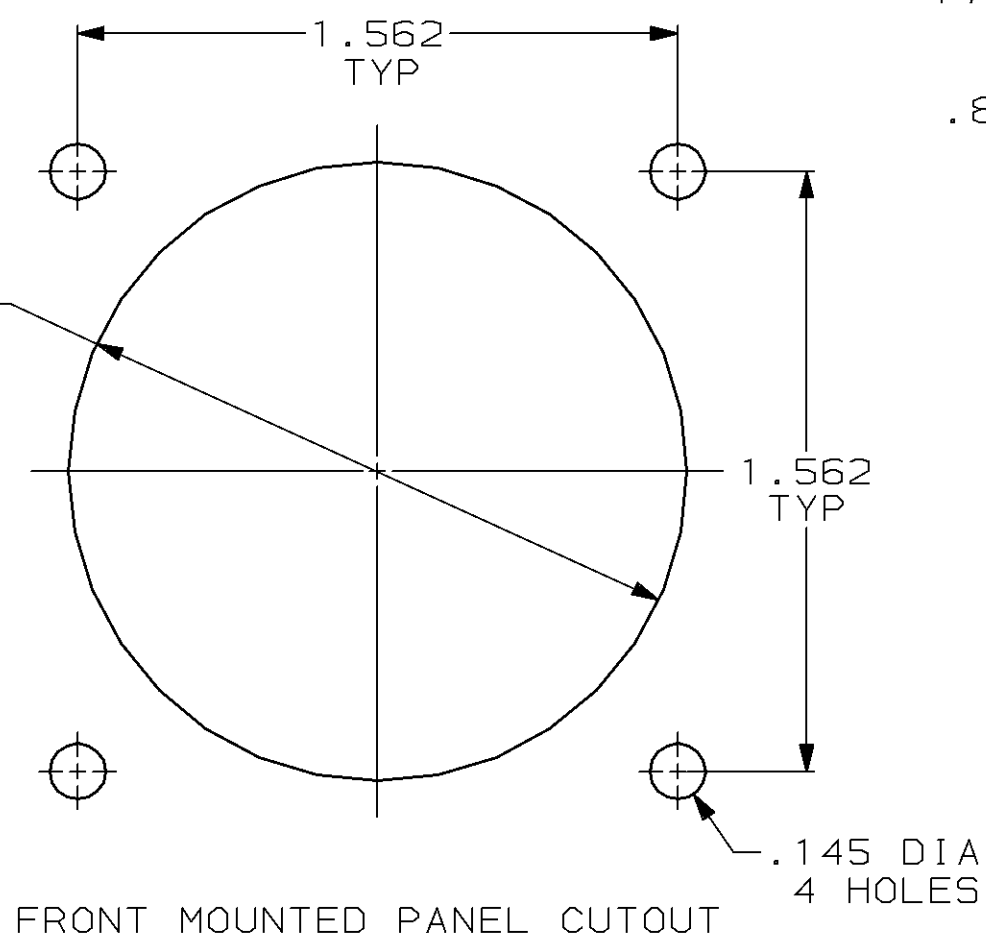
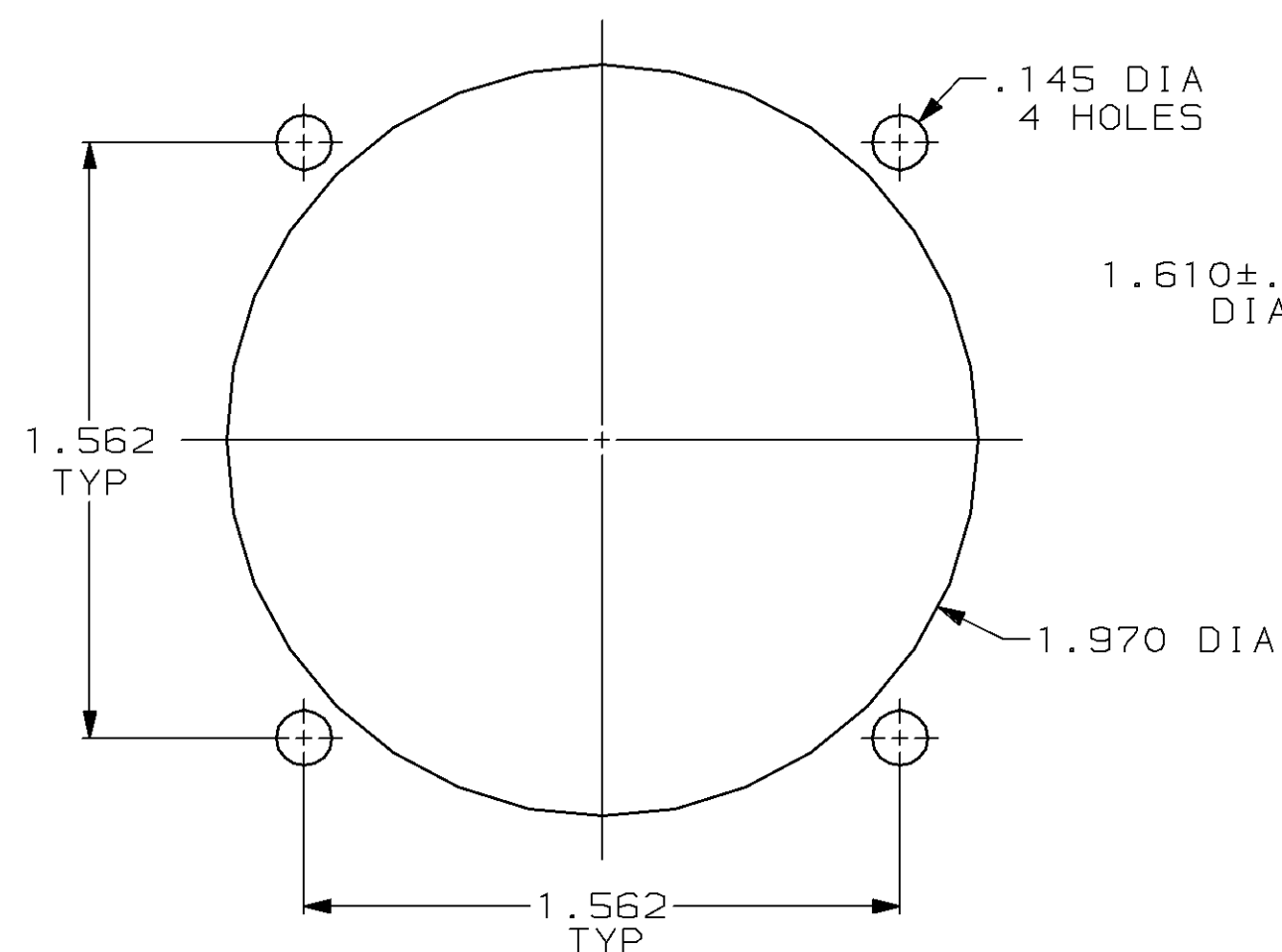
1.900 MAX

.125 MAX
 PANEL THK

.125±.010

.875±.010

1.825 MAX



REAR MOUNTED PANEL CUTOUT

OBSOLETE	YES	208485-2
	NO	208485-1
	PERIPHERAL SEAL	PART NUMBER

- 208485-1 MATES WITH AMP PLUG 208484-1 OR -3. 208485-2 MATES WITH 208484-1 ONLY.
- AMP PART NUMBER AND DATE CODE TO BE LOCATED ON EDGE OF FLANGE.

DO NOT SCALE PRINT. UNLESS SPECIFIED DIMENSIONS IN INCHES TOLERANCES ON :	DR 6-27-91 R.LEE BG	AMP Incorporated Harrisburg, PA 17105-3608
	CHK 4-14-92 W.G.LENKER	
MATERIAL	APPD 4-14-92 K.BEAVER	
SEE CALLOUT	APPD 4-15-92 C.ROHDE	
FINISH	APPLICATION SPEC	NAME
SEE CALLOUT	-	RECEPTACLE ASSEMBLY, REV SEX, SERIES 3, 28-7, CMC
WEIGHT	-	SIZE
		CAGE CODE
		DRAWING NO
		208485
		SCALE
		2:1
		SHEET
		1 OF 1