

Metal-Shell Circular Plastic Connectors, Series 1

Metal-Shell CPC Connectors, Series 1, Standard Sex



Listed part numbers are for connectors only; **contacts must be ordered separately.**

Material and Finish

Square Flange Receptacle—

Housing—Thermoplastic, UL 94V-0 rated, black

Metal-Shell—Zinc alloy, plated nickel

Grooved Pin—Steel alloy, plated nickel

Plug—

Housing—Thermoplastic, UL 94V-0 rated, black

Metal-Shell—Zinc alloy, plated nickel

Tetraseal Seal—Fluorocarbon

Retainer Ring—Stainless steel

Coupling Ring—Zinc alloy, plated nickel

Related Product Data

Contacts—Pages 16-20

Contact Arrangement—Page 60

Component Dimensions—Page 69

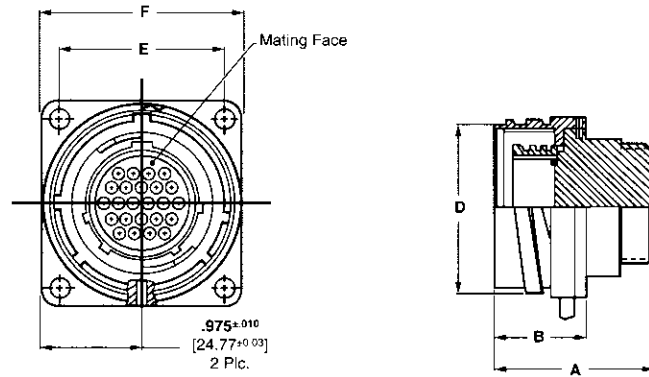
Accessories—Page 70

Performance Characteristics—Page 6

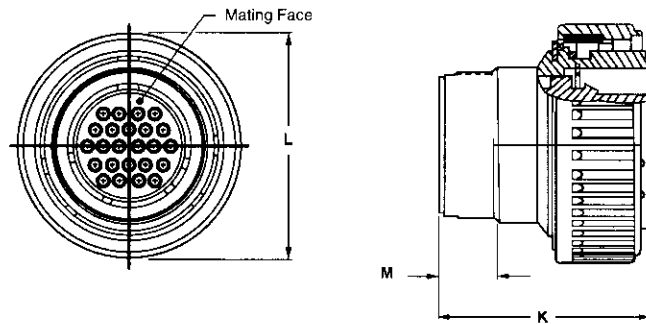
Application Tooling—Pages 75-78

Technical Documents—Page 79

Square Flange Receptacles
(Accepts Multimate Pins)

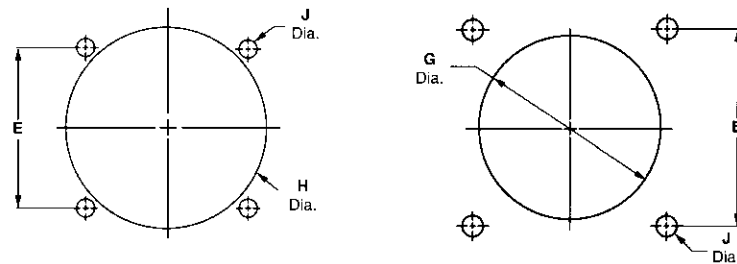


Plugs
(Accepts Multimate Sockets)



Arrangement	Square Flange Receptacle	Plug Part No.	
		without TETRASEALS Ring	with TETRASEALS Ring
14-5	208719-1	208718-1	208718-2
14-7	208715-1	208714-1	208714-2
22-16	208489-1	208488-1	208488-3
28-24	208459-1	208457-1	208457-3
28-37	208471-1	208470-1	208470-3

Note: Maximum wire insulation diameter is .100 [2.54], except arrangements 14-5 and 28-24 are .150 [3.81] max.



TETRASEALS Ring
(Installed in plugs only.)

The TETRASEALS Ring provides splash-proof sealing between mating metal shells. It is located behind the plug shell external keys (under the coupling ring). When mated with a receptacle, the ring is compressed against the inside diameter of the mating end edge of the receptacle shell.

