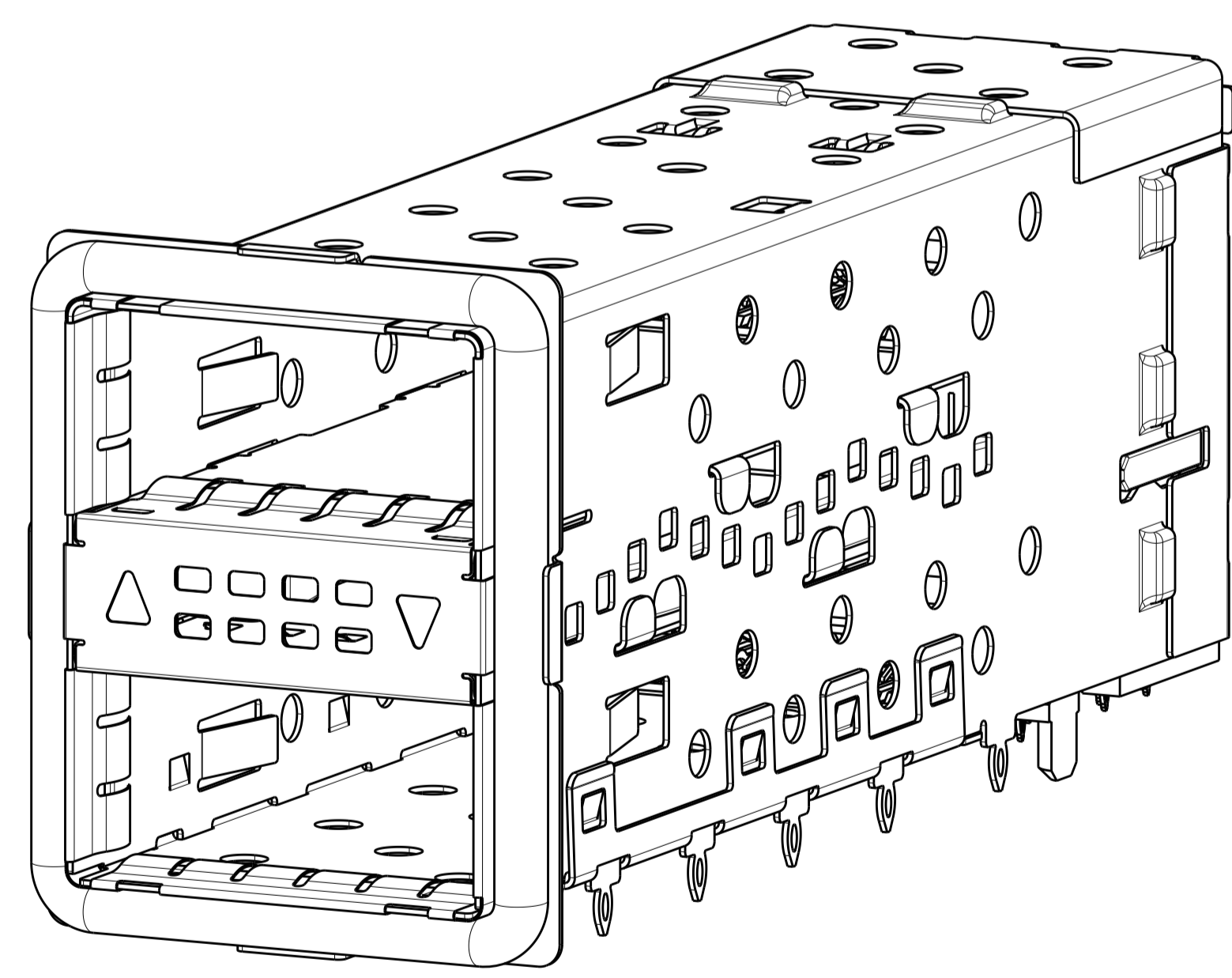
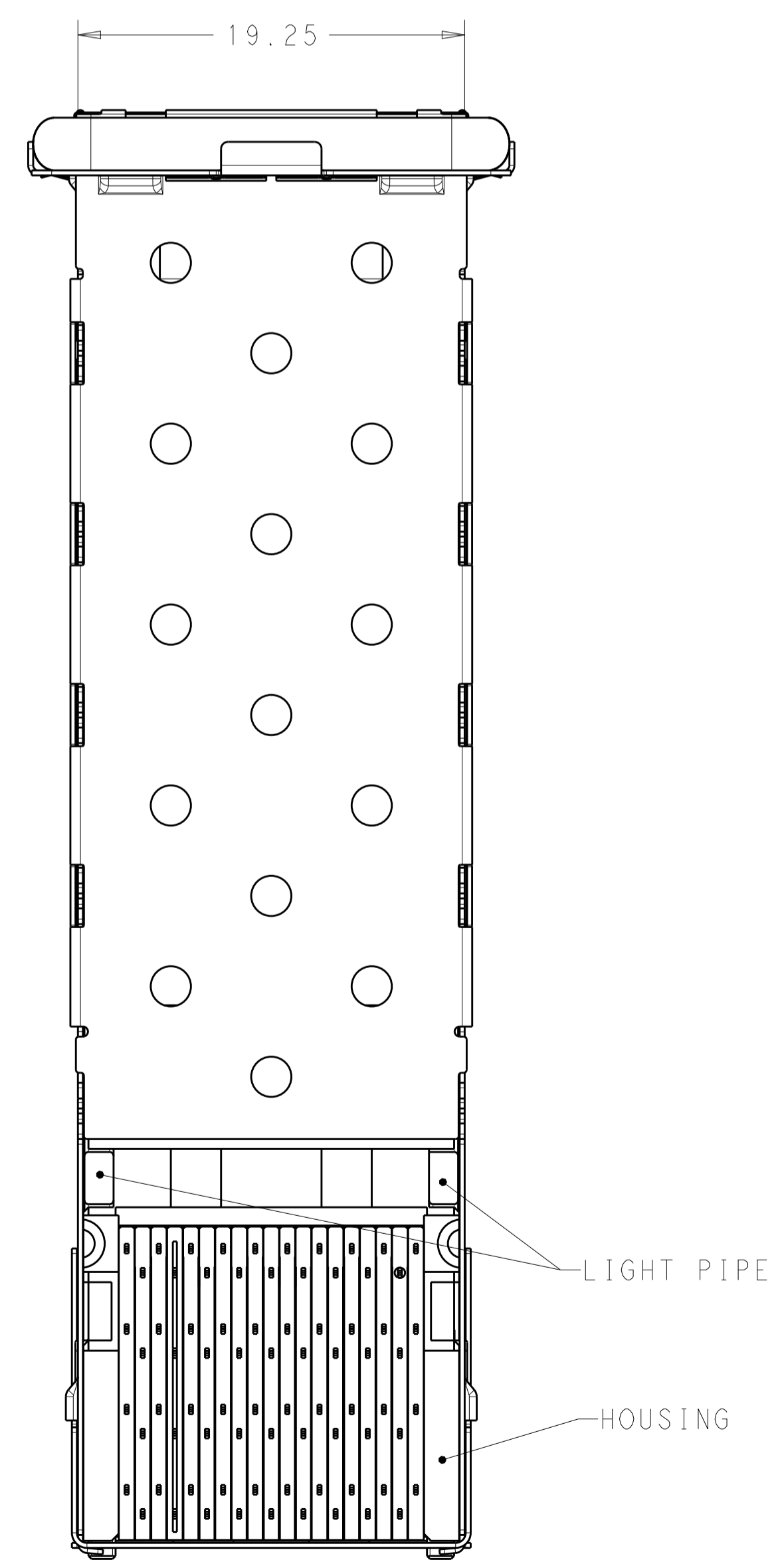
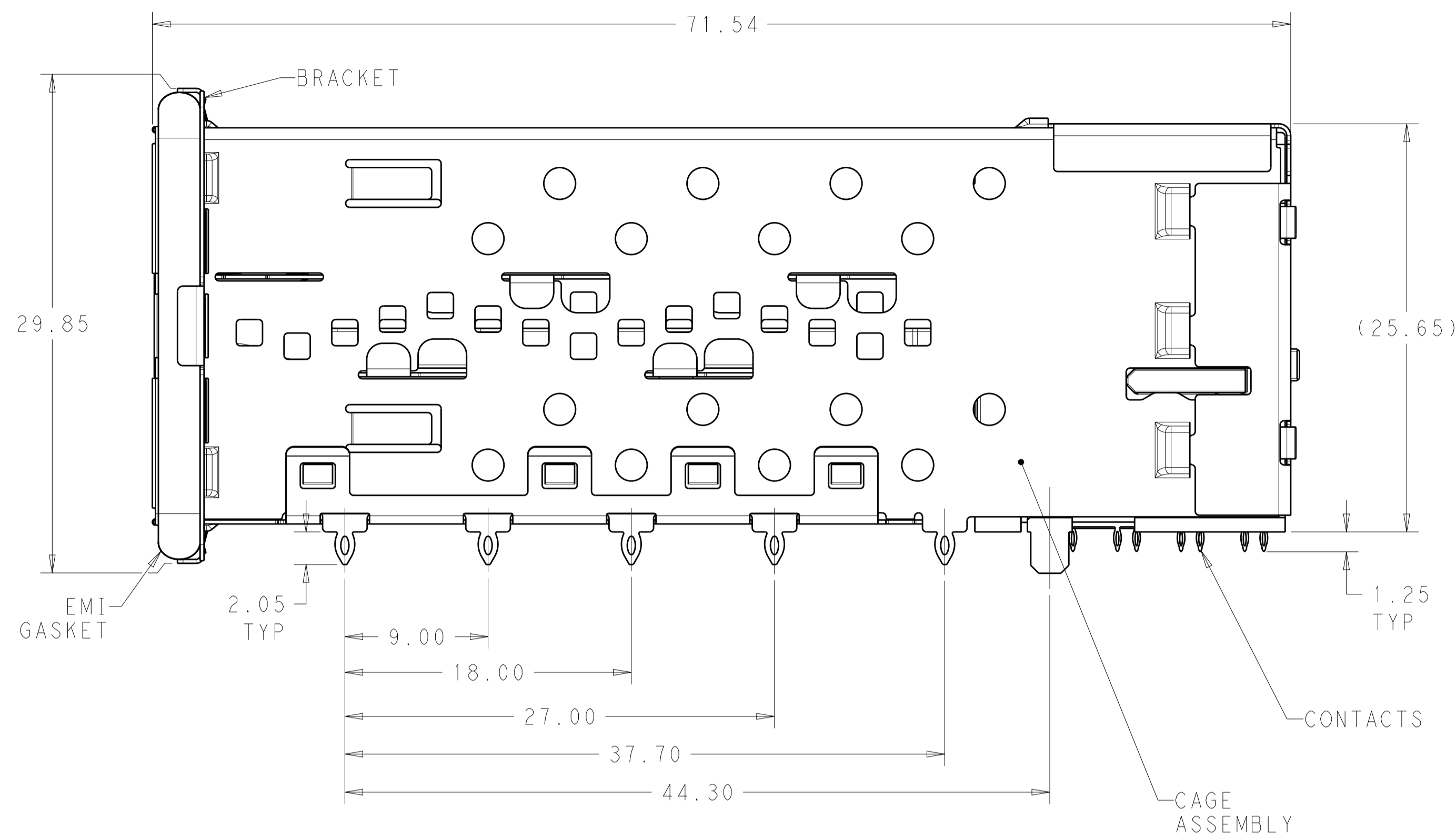
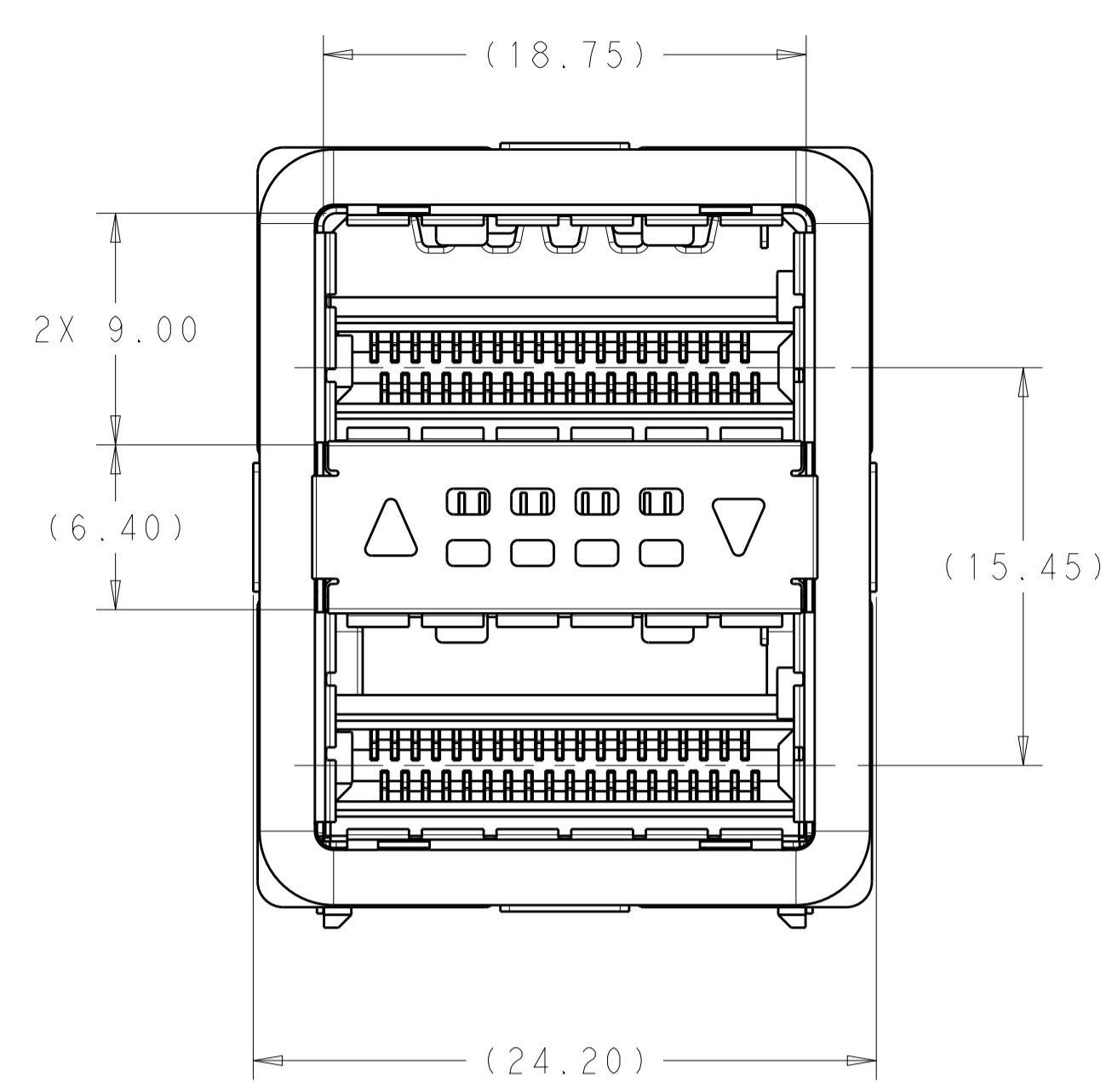


LOC		DIST		REVISIONS			
GP	00						



2085945-1 SHOWN  
SCALE 4:1

- 1 MATERIALS:  
 CAGE ASSEMBLY- NICKEL SILVER ALLOY PER ASTM B 122.  
 BRACKET- STAINLESS STEEL.  
 EMI GASKET- NICKEL-GRAPHITE FILLED SILICONE.  
 HOUSING- BLACK LCP, UL 94V-0 RATED.  
 CHICKLET- BLACK LCP, UL 94V-0 RATED.  
 LIGHT PIPE- POLYCARBONATE, CLEAR, UL 94V-2 RATED.  
 CONTACT- COPPER ALLOY.
- 2 DATUM AND BASIC DIMENSIONS ESTABLISHED BY CUSTOMER.
- 3. MINIMUM PCB THICKNESS OF 1.57mm.
- 4 CONTACT FINISH- CONFORMS TO THE REQUIREMENTS OF TE PRODUCT SPECIFICATION 108-127010, BASED ON EIA/ECA-364-1000.01A, (CONTROLLED ENVIRONMENT APPLICATIONS) ON MATING INTERFACE, TIN ON NEEDLE EYE.
- 5 THE ENTIRE AREA OF THE CONNECTOR FOOTPRINT, INDICATED BY THE DASHED LINE, TO BE CONSIDERED THE KEEPOUT AREA FOR COMPONENTS AND SIGNAL TRACES, TOP SIDE ONLY. TOP SIDE TRACES ALLOWED WITHIN CONNECTOR HOLE PATTERN.
- 6 LIGHT PIPE PAD LAYOUT IS FOR 0805 LOW PROFILE LED PACKAGE WITH A HEIGHT OF 0.8mm.

BOTH LIGHT PIPES	2085945-7
INNER LIGHT PIPES	2085945-6
OUTER LIGHT PIPES	2085945-5
NO LIGHT PIPES	2085945-4
BOTH LIGHT PIPES	2085945-3
INNER LIGHT PIPES	2085945-2
OUTER LIGHT PIPES	2085945-1
DESCRIPTION	PART NUMBER

THIS PRINT IS  
**PRELIMINARY**  
 UNQUALIFIED PRODUCT  
 CONTACT PRODUCT ENGINEERING  
 BEFORE USING THIS PRINT

DIMENSIONS:		TOLERANCES UNLESS OTHERWISE SPECIFIED:	
mm	0 PLC	±	
	1 PLC	±0.30	
	2 PLC	±0.25	
	3 PLC	±	
	4 PLC	±	
	ANGLES	±	
MATERIAL	FINISH		

OWN	08AUG11		
CHK	08AUG11		
APP	08AUG11		
PRODUCT SPEC			
108-127010			
APPLICATION SPEC			
114-32020			
WEIGHT			
CUSTOMER DRAWING			

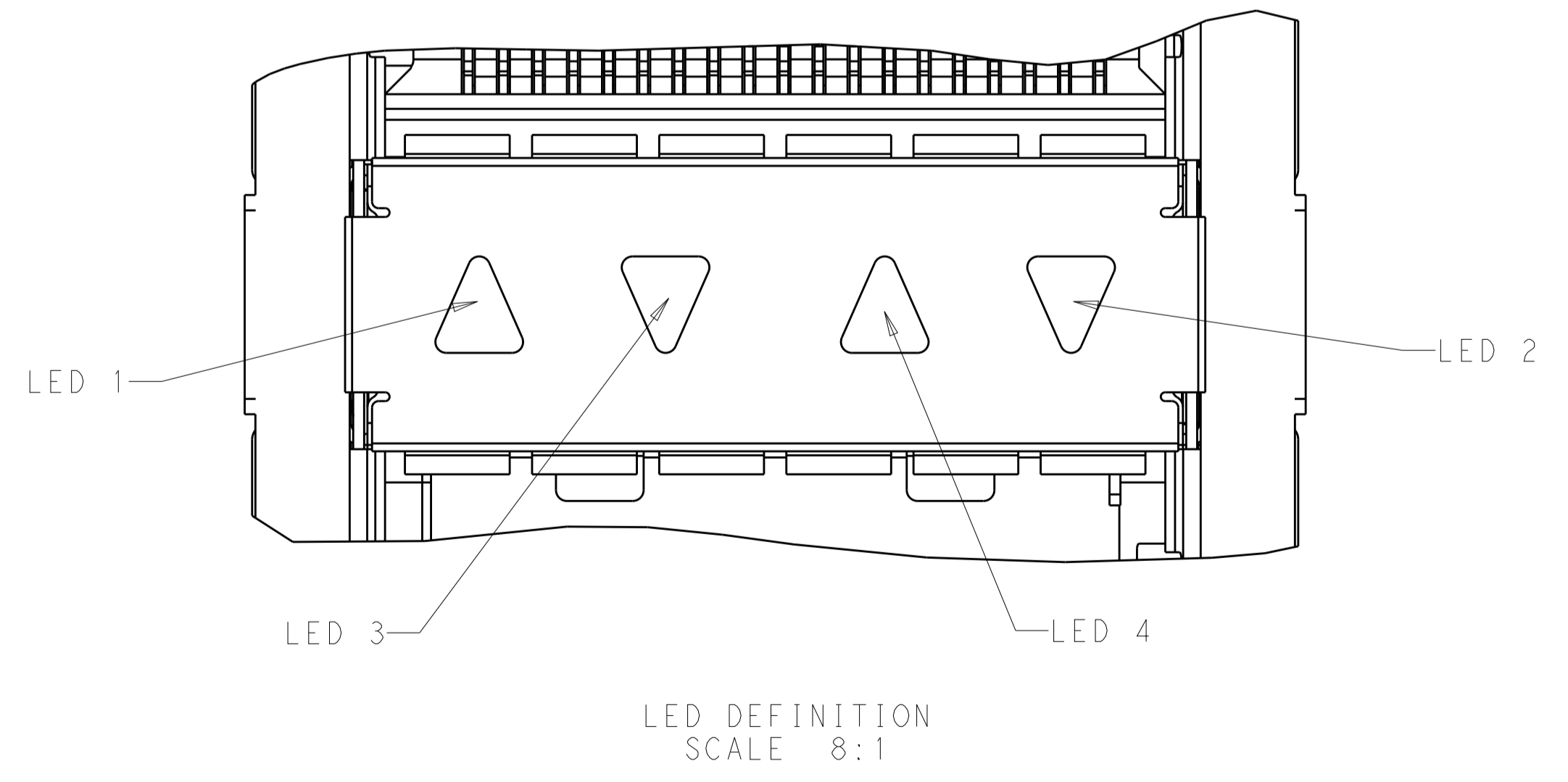
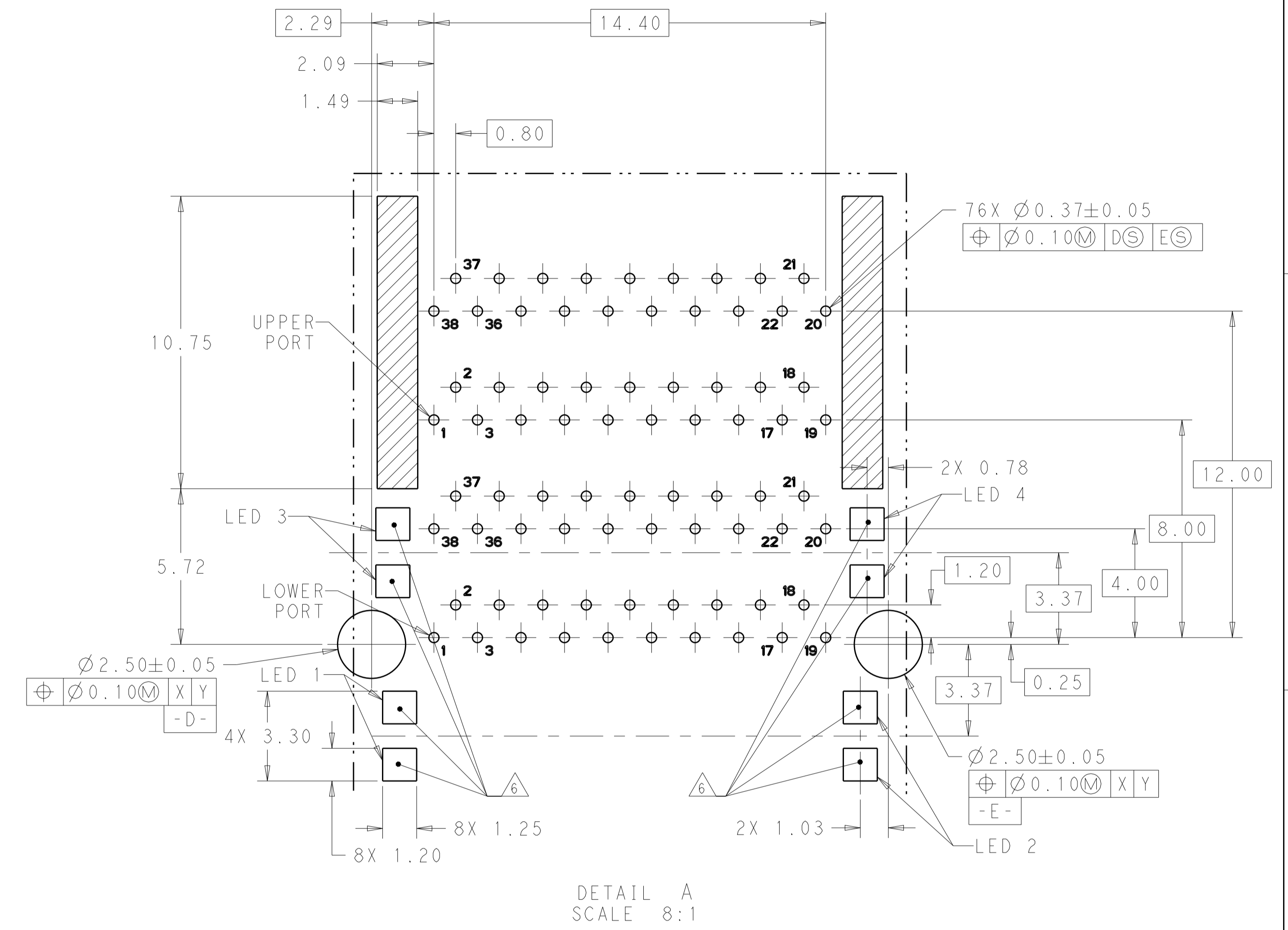
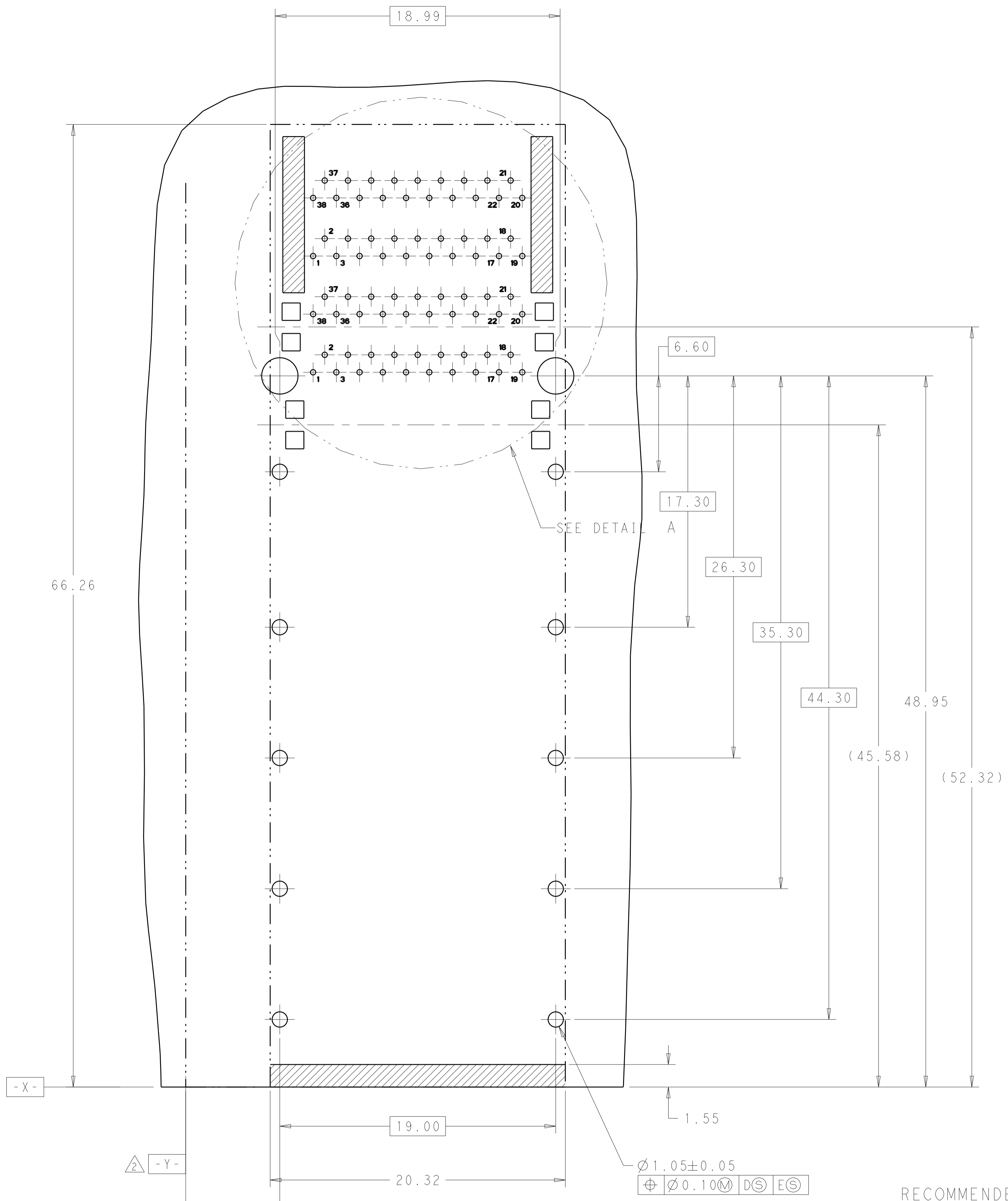
DESCRIPTION	CAGE AND PFI CONNECTOR ASSEMBLY WITH EMI GASKET, PRESS FIT, 2X1, STACKED QSFP+
SIZE	CAGE CODE DRAWING NO
A100779	C=2085945
SCALE	4:1
SHEET	1 OF 4
REV	9

LOC	DIST	REV	DATE	APPV
GP	00			

REVISIONS				
REV	DATE	APPV	DESCRIPTION	DATE
-	-	-	SEE SHEET 1	-

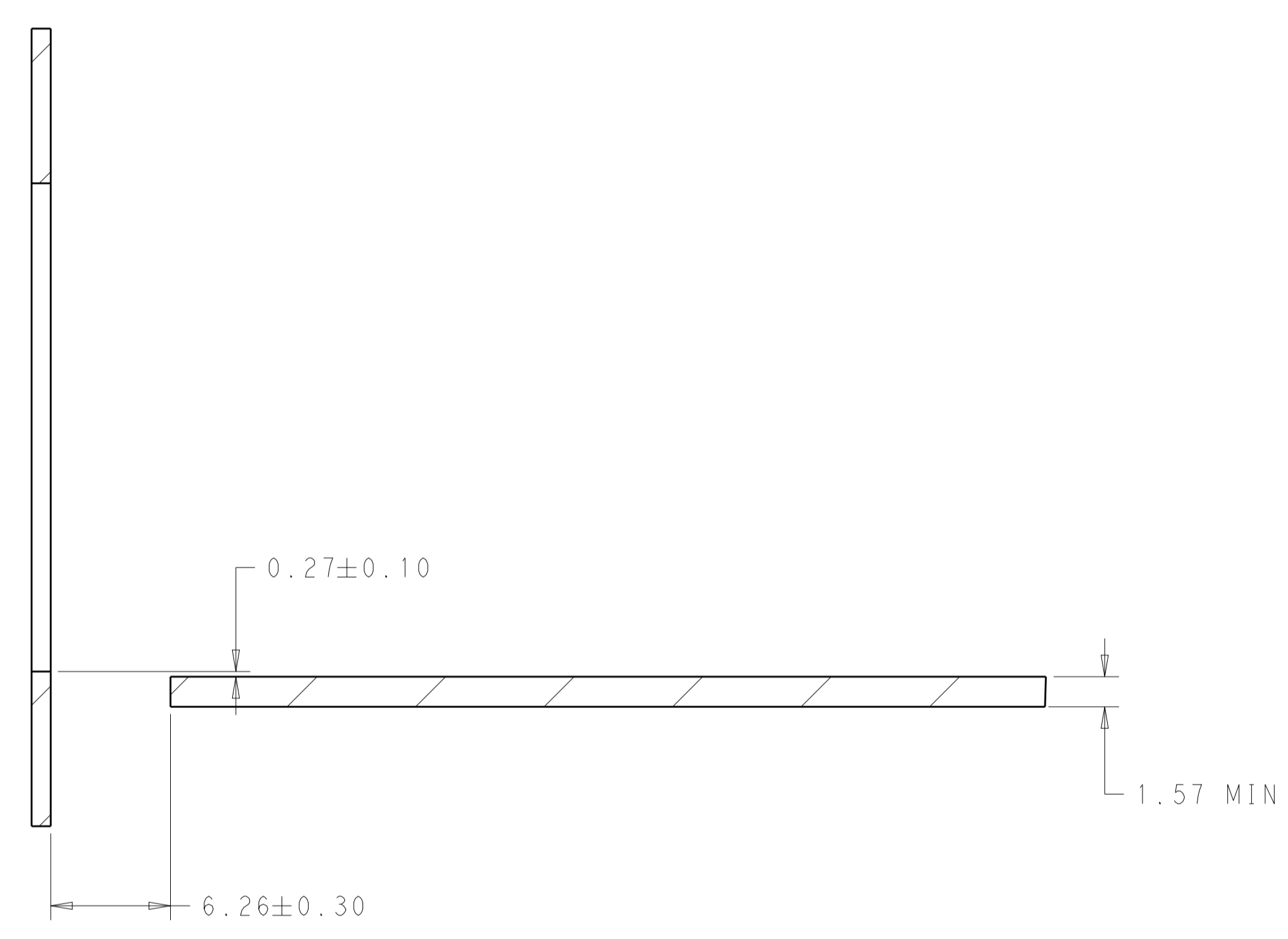
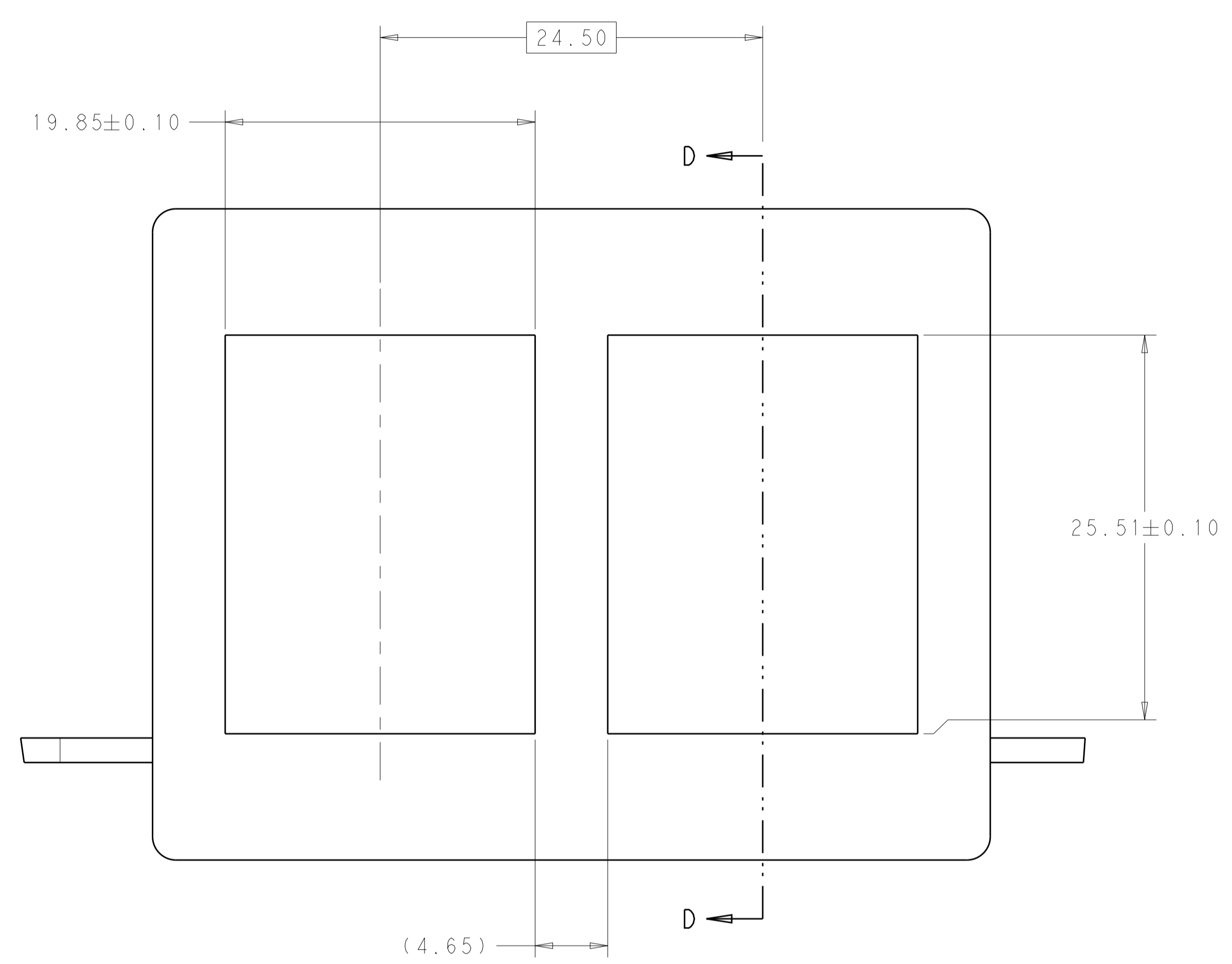
THIS PRINT IS  
**PRELIMINARY**  
 UNQUALIFIED PRODUCT  
 CONTACT PRODUCT ENGINEERING  
 BEFORE USING THIS PRINT



RECOMMENDED PCB LAYOUT  
 COMPONENT SIDE OF BOARD  
 SCALE 4:1

THIS DRAWING IS A CONTROLLED DOCUMENT.		OWN: B. MCMASTER 08AUG11	TE Connectivity
DIMENSIONS: mm		CHK: E. WICKES 08AUG11	
TOLERANCES UNLESS OTHERWISE SPECIFIED:		APPV: E. WICKES 08AUG11	NAME: CAGE AND PT CONNECTOR ASSEMBLY, WITH EMI GASKET, PRESS FIT, 2X1, STACKED QSFP+
0 PLC ±	1 PLC ±0.30	PRODUCT SPEC	SIZE: CAGE CODE DRAWING NO
2 PLC ±0.25	3 PLC ±	108-127010	RESTRICTED TO
4 PLC ±	ANGLES ±	APPLICATION SPEC	A100779C=2085945
MATERIAL	FINISH	WEIGHT	SCALE 4:1 SHEET 2 OF 4 REV 9
CUSTOMER DRAWING			

LOC	DIST	REVISIONS					
		P	LTN	DESCRIPTION	DATE	DMN	APVD
GP	00	-	-	SEE SHEET 1	-	-	-



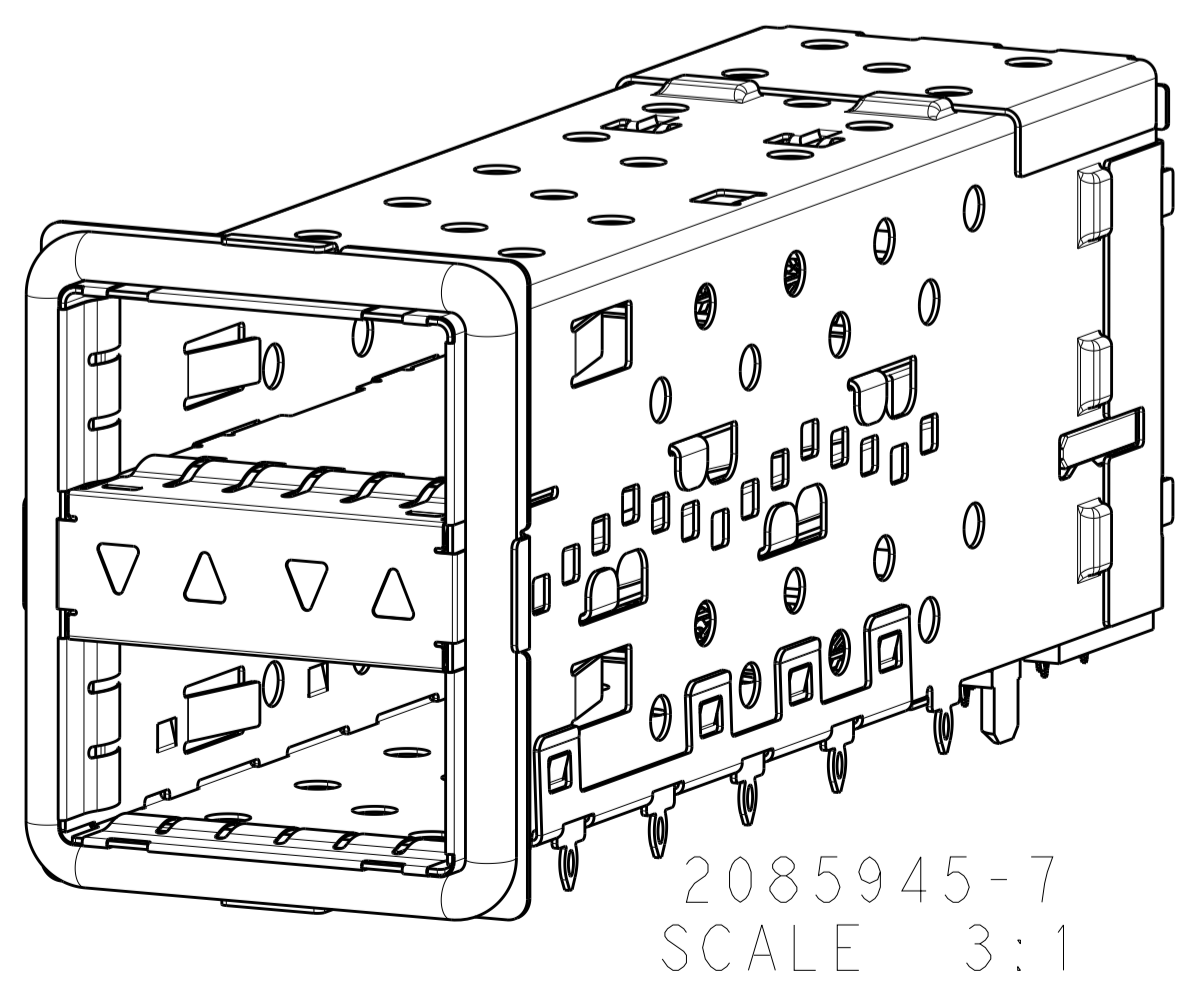
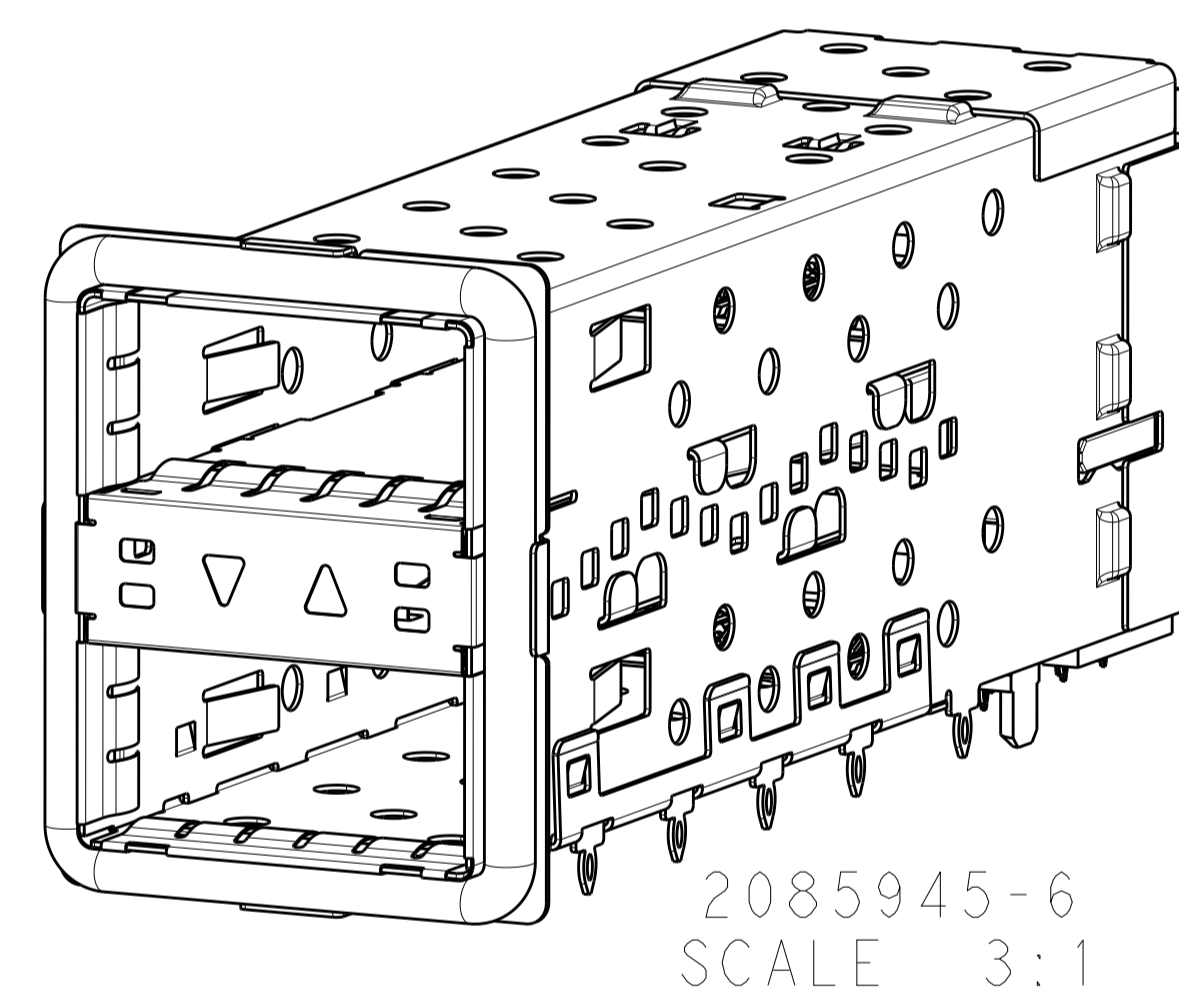
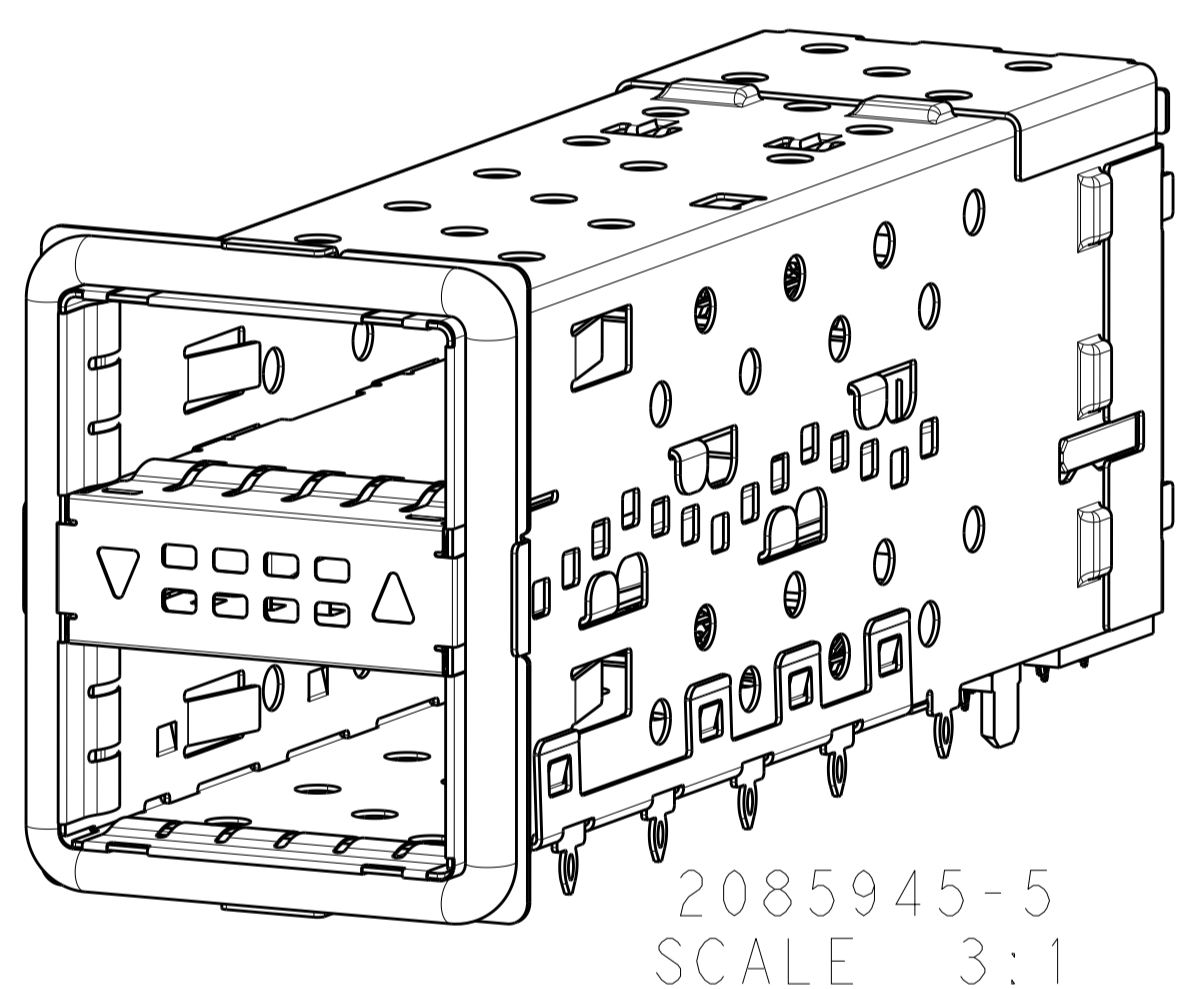
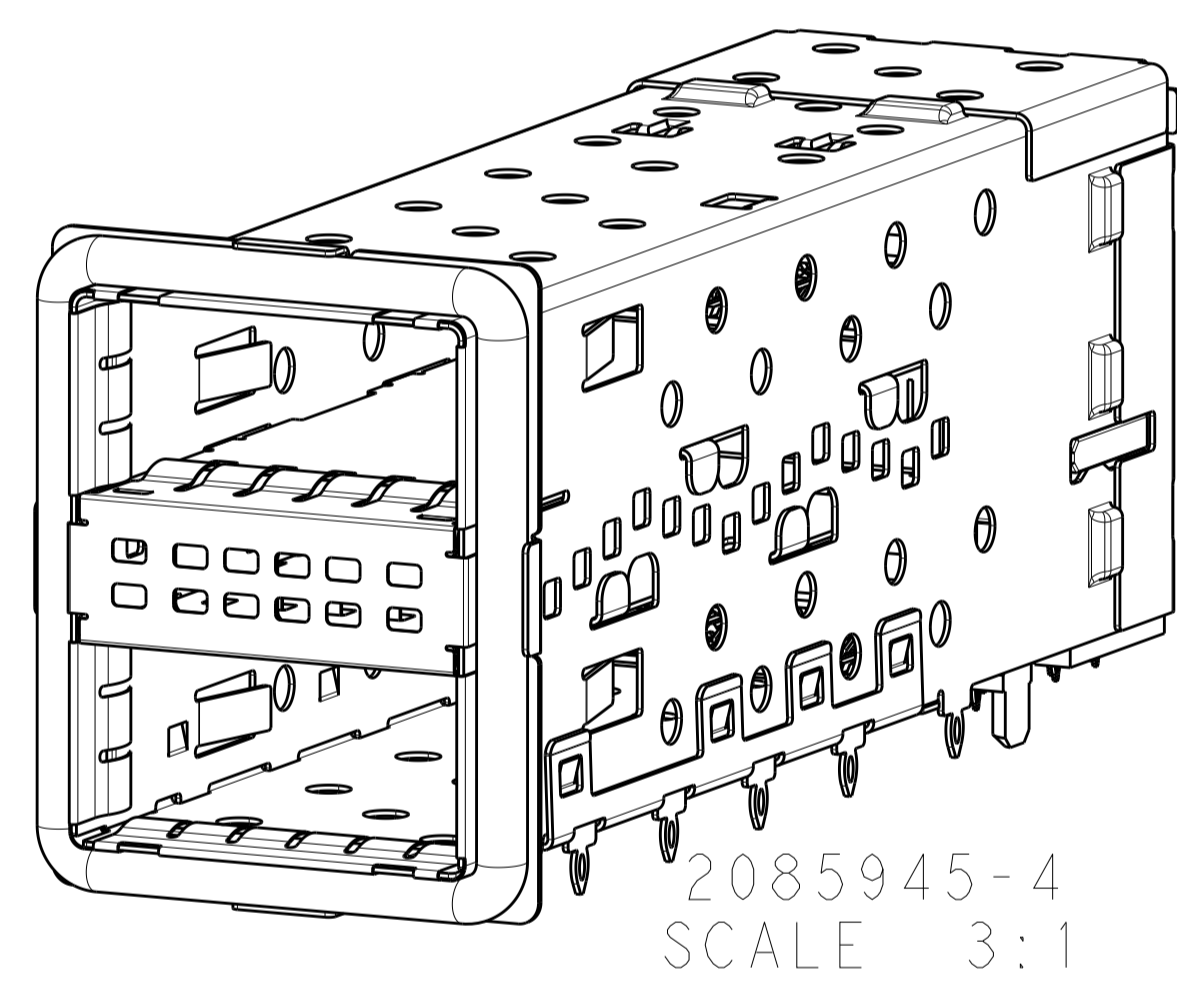
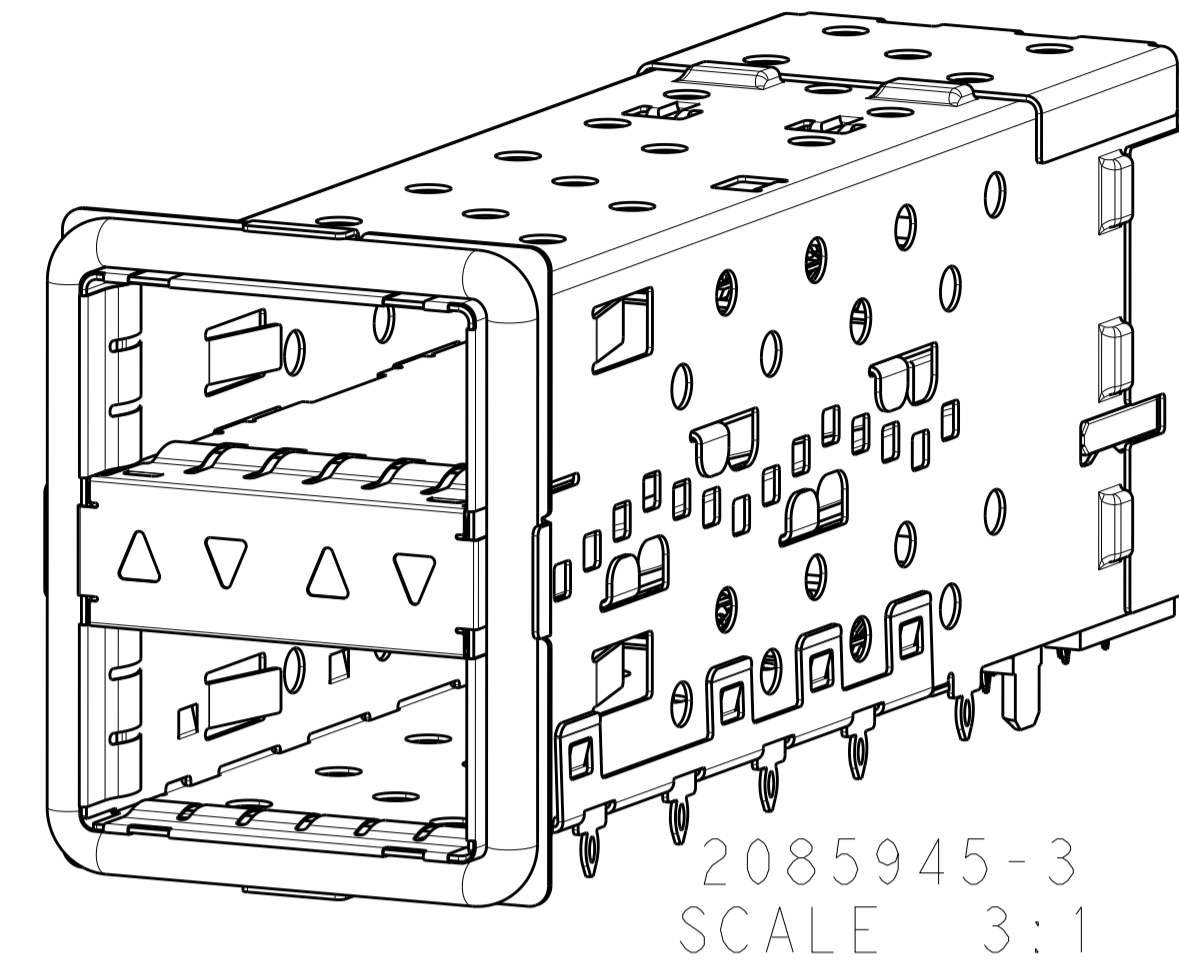
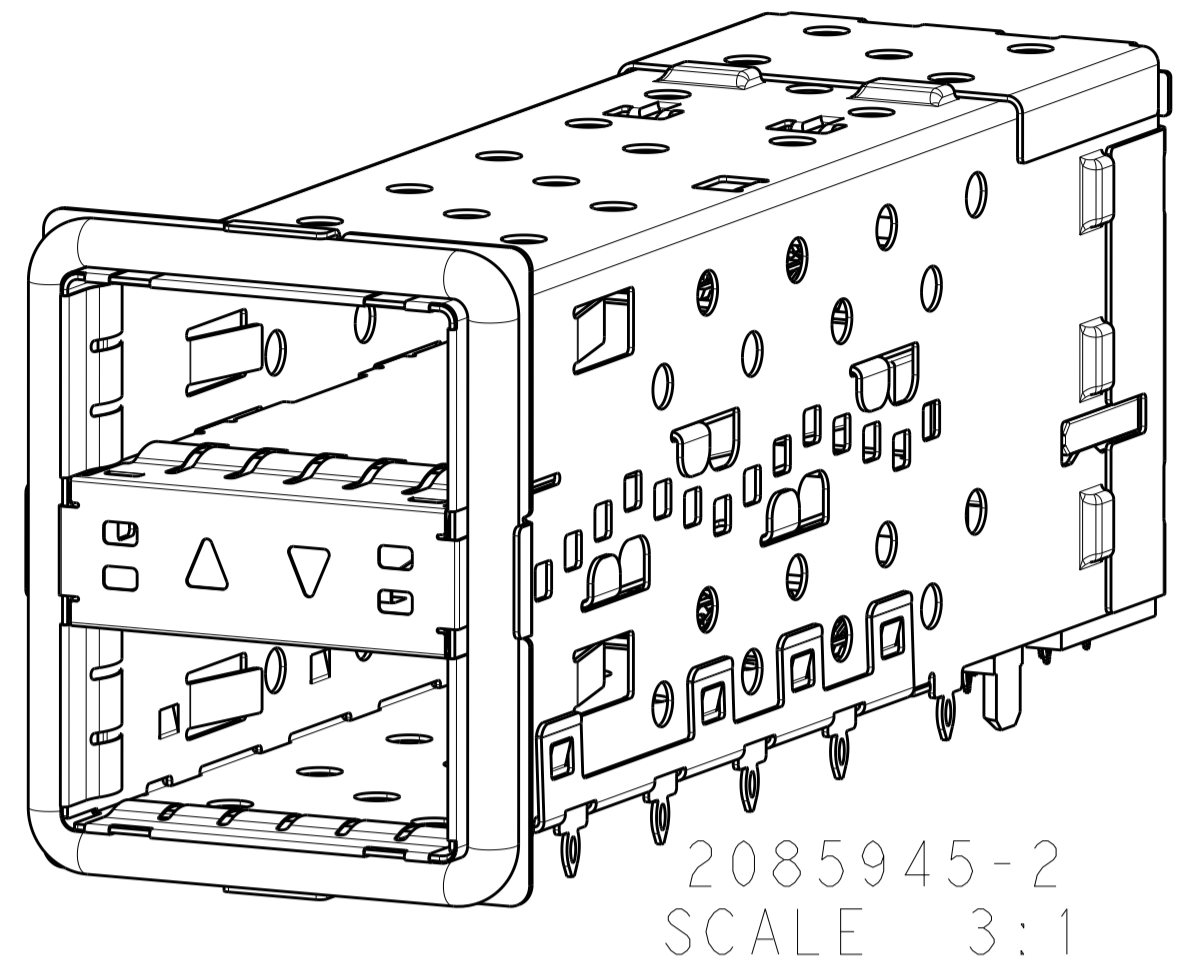
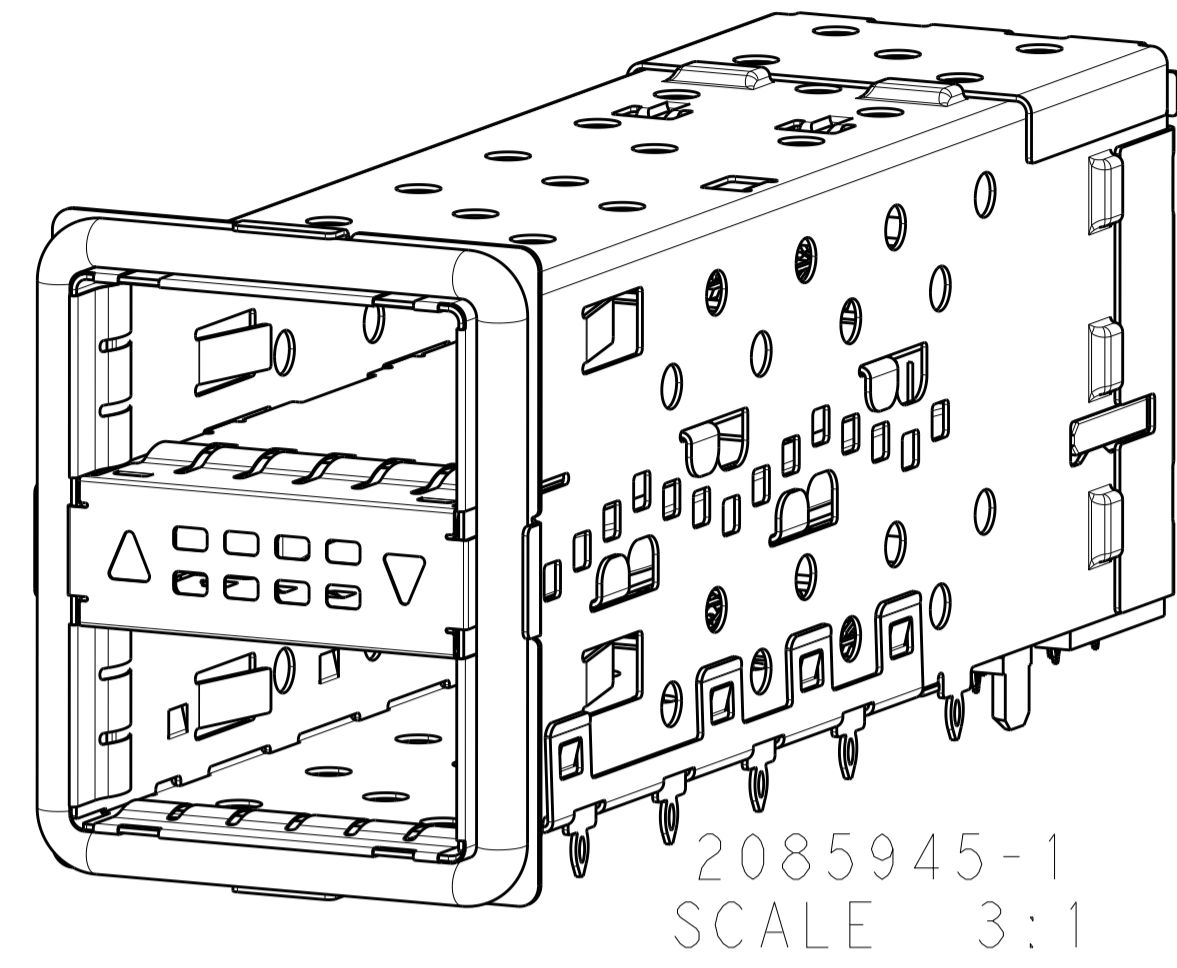
SECTION D-D

RECOMMENDED PANEL CUTOUT  
 AND PC BOARD, PANEL POSITION  
 SCALE 4:1

THIS PRINT IS  
**PRELIMINARY**  
 UNQUALIFIED PRODUCT  
 CONTACT PRODUCT ENGINEERING  
 BEFORE USING THIS PRINT

THIS DRAWING IS A CONTROLLED DOCUMENT.		DMN B. MCMASTER 08AUG11	TE Connectivity
DIMENSIONS:		CHK E. WICKES 08AUG11	
mm	TOLERANCES UNLESS OTHERWISE SPECIFIED:	APVD E. WICKES 08AUG11	NAME CAGE AND PT CONNECTOR ASSEMBLY, WITH EMI GASKET, PRESS FIT, 2X1, STACKED QSFP+
0 PLC ± 1 PLC ±0.30 2 PLC ±0.25 3 PLC ± 4 PLC ± ANGLES ± FINISH	PRODUCT SPEC 108-127010 APPLICATION SPEC 114-32020 WEIGHT CUSTOMER DRAWING	SIZE A100779C=2085945	
MATERIAL		RESTRICTED TO	SCALE 4:1 SHEET 3 OF 4 REV 9

LOC		DIST		REVISIONS			
GP	00	P	LYR	DESCRIPTION	DATE	DMN	APVD
		-		SEE SHEET 1			



THIS PRINT IS  
**PRELIMINARY**  
 UNQUALIFIED PRODUCT  
 CONTACT PRODUCT ENGINEERING  
 BEFORE USING THIS PRINT

THIS DRAWING IS A CONTROLLED DOCUMENT.		DMN B. MCMASTER 08AUG11	TE Connectivity
DIMENSIONS:		CHK E. WICKES 08AUG11	
mm	TOLERANCES UNLESS OTHERWISE SPECIFIED:	APVD E. WICKES 08AUG11	NAME CAGE AND PT CONNECTOR ASSEMBLY, WITH EMI GASKET, PRESS FIT, 2X1, STACKED QSFP+
0 PLC ± 1 PLC ±0.30 2 PLC ±0.25 3 PLC ± 4 PLC ± ANGLES ±	PRODUCT SPEC 108-127010 APPLICATION SPEC 114-32020	SIZE A100779C=2085945	
MATERIAL	FINISH	WEIGHT	RESTRICTED TO
CUSTOMER DRAWING		SCALE 4:1	SHEET 4 OF 4 REV 9