

Distributed by:

JAMECO[®]
ELECTRONICS

www.Jameco.com ♦ 1-800-831-4242

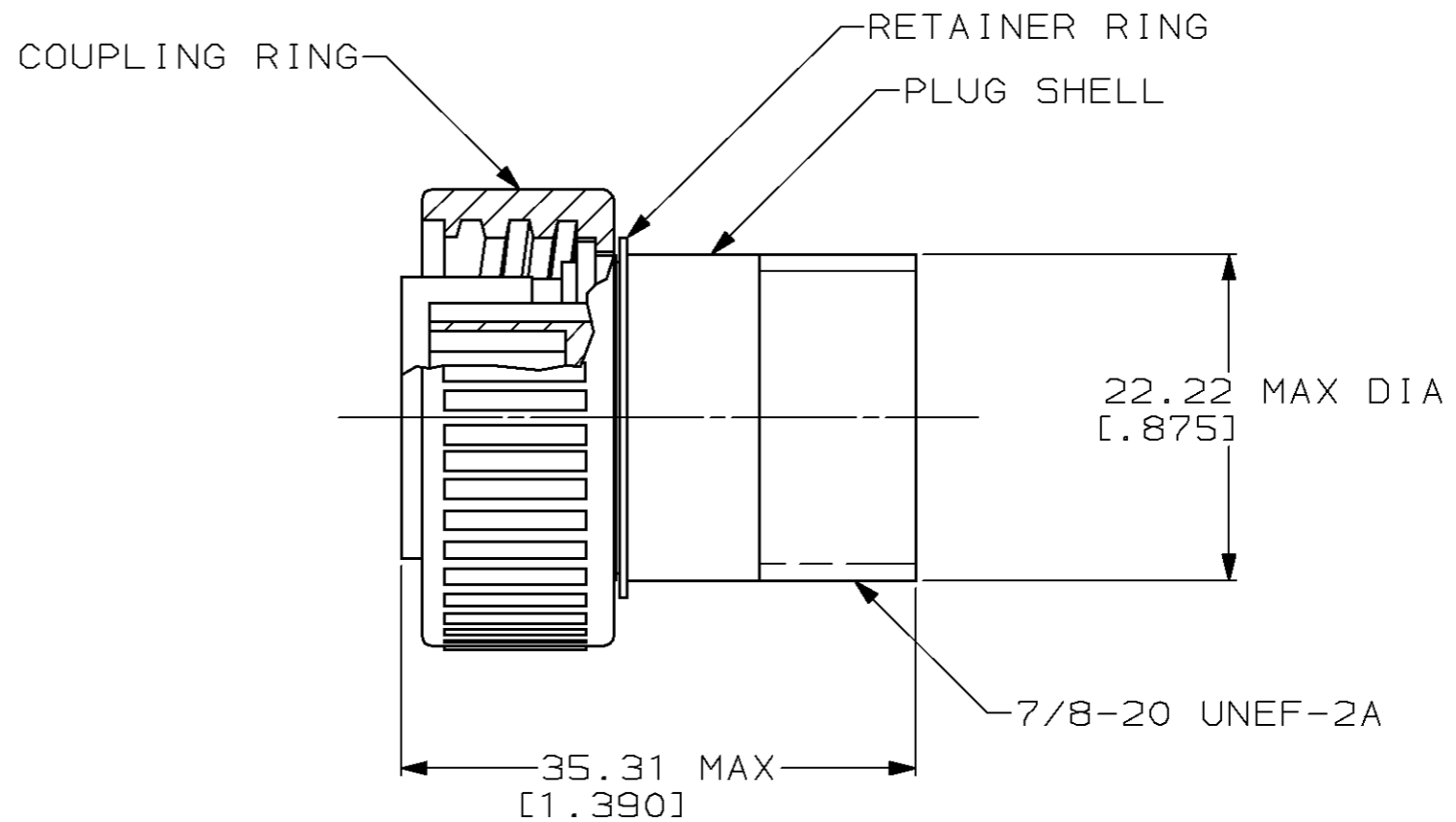
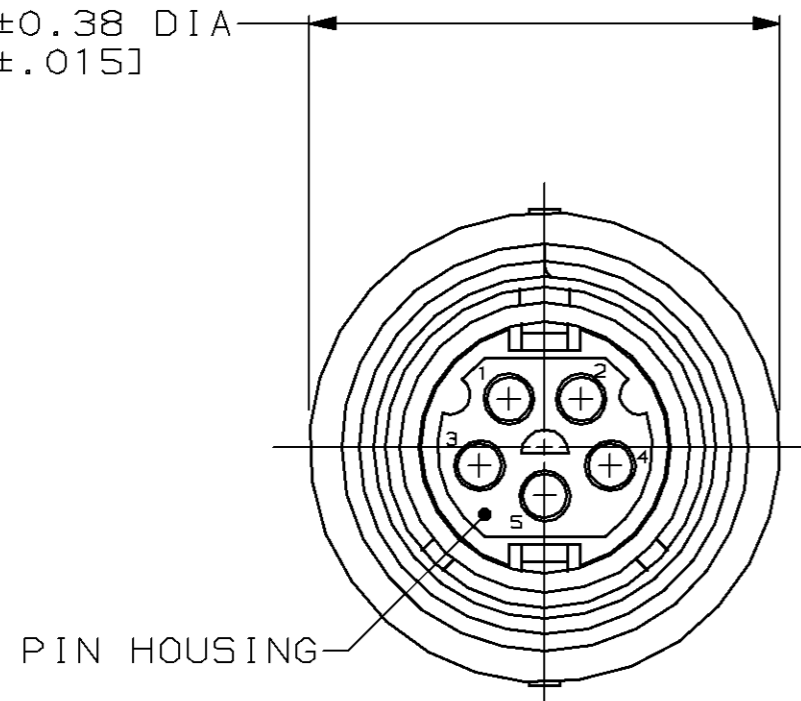
The content and copyrights of the attached
material are the property of its owner.

Jameco Part Number 920085

THIS DRAWING IS UNPUBLISHED. RELEASED FOR PUBLICATION, 19 .
 © COPYRIGHT 19 BY AMP INCORPORATED. ALL INTERNATIONAL RIGHTS RESERVED.

LOC	DIST	P	F	REVISIONS				
				ZONE	LTR	DESCRIPTION	DATE	APPD
BD	35				E	REDRAWN W/O CHANGE PER EC 0020-569-94	05/20/94	-
					F	OBS -2 PER EC 0020-0394-93	11/17/94	RK
					G	REV PER EC 0020-132-95	02/17/95	AF
					H	SUPSD -2 & REV PER EC 0020-1080-95	17 OCT 95	RB
					J	OBS -2 & REV PER EC 0020-419-96	07 MAY 96	AWF

31.12±0.38 DIA
 [1.225±.015]



- THIS CONNECTOR ACCEPTS FIVE (5) SIZE 16 MULTIMATE PIN CONTACTS, MAXIMUM WIRE INSULATION DIA = 3.43 [.135].
- THIS CONNECTOR MATES WITH AMP P/N 208721-1.
- AMP P/N AND DATE CODE TO BE LOCATED ON COUPLING RING.
- NICKEL PER QQ-N-290 OVER COPPER PER MIL-C-14550.
- ZINC PER QQ-Z-363.

OBSOLETE 208720-2
 208720-1

PART NO

DO NOT SCALE PRINT. UNLESS SPECIFIED DIMENSIONS IN mm [INCHES] TOLERANCES ON: 2 PLC DEC ± - 3 PLC DEC ± - ANGLES ± -		DR 05/23/94 D.HARDY	AMP AMP Incorporated Harrisburg, PA 17105-3608
MATERIAL PIN HSG: TERMOPLASTIC, BLACK RTNR RING: STAINLESS STEEL CPLG RING: Δ PLUG SHELL: Δ		CHK 05-26-94 R.STONE	
FINISH CPLG RING: Δ PLUG SHELL: Δ		APPD 07/13/94 A.FRANTUM	NAME PLUG ASSEMBLY, REVERSE SEX, SERIES 1, 14-5, CMC
		APPD 07/13/94 A.FRANTUM	SIZE B CAGE CODE 00779 DRAWING NO C-208720
		PRODUCT SPEC -	SCALE 2:1 SHEET 1 OF 1
		APPLICATION SPEC -	
		WEIGHT -	

THIS DRAWING IS A CONTROLLED DOCUMENT FOR AMP INCORPORATED. IT IS SUBJECT TO CHANGE AND THE CONTROLLING ENGINEERING ORGANIZATION SHOULD BE CONTACTED FOR THE LATEST REVISION.