

Distributed by:

**JAMECO**<sup>®</sup>  
ELECTRONICS

**www.Jameco.com ♦ 1-800-831-4242**

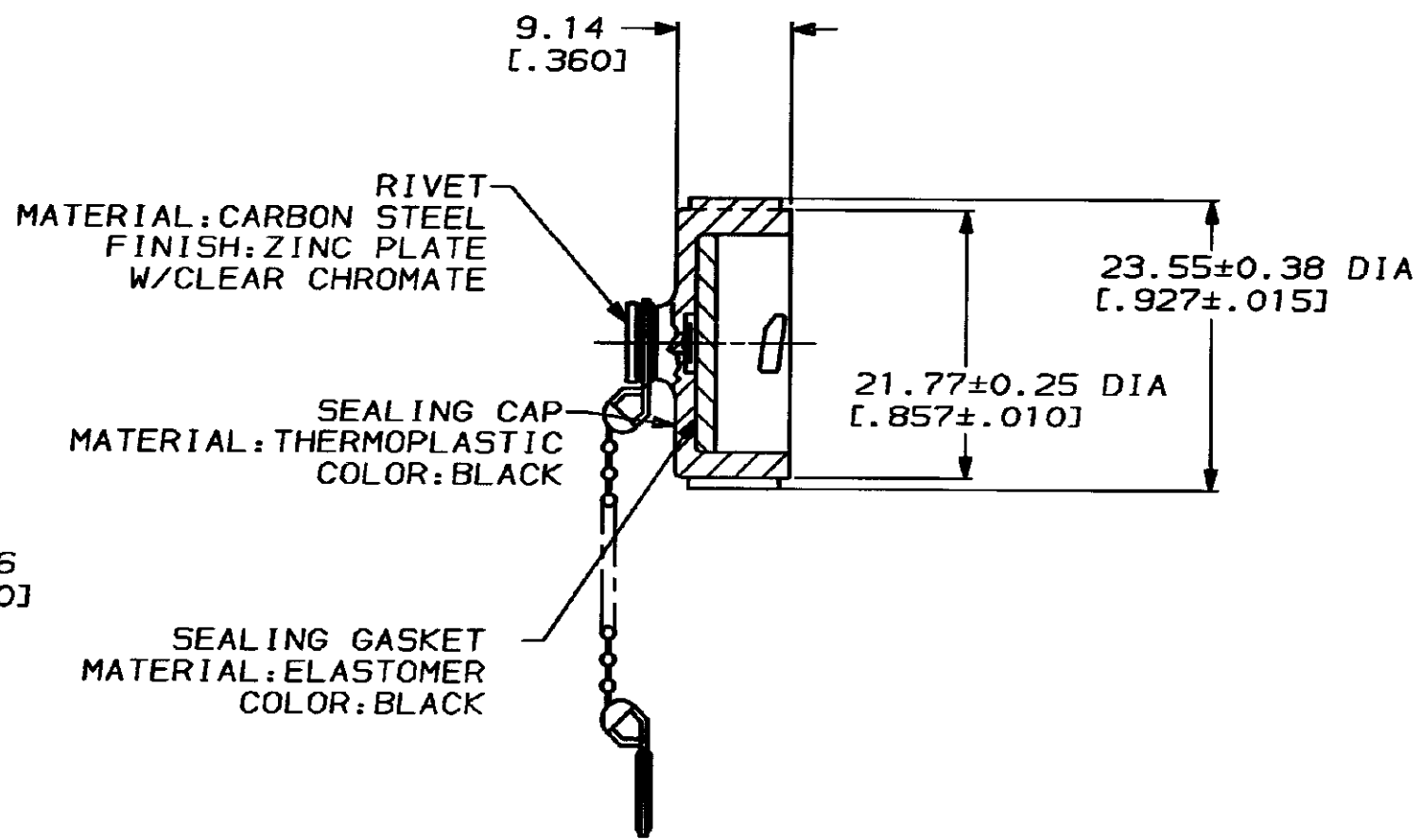
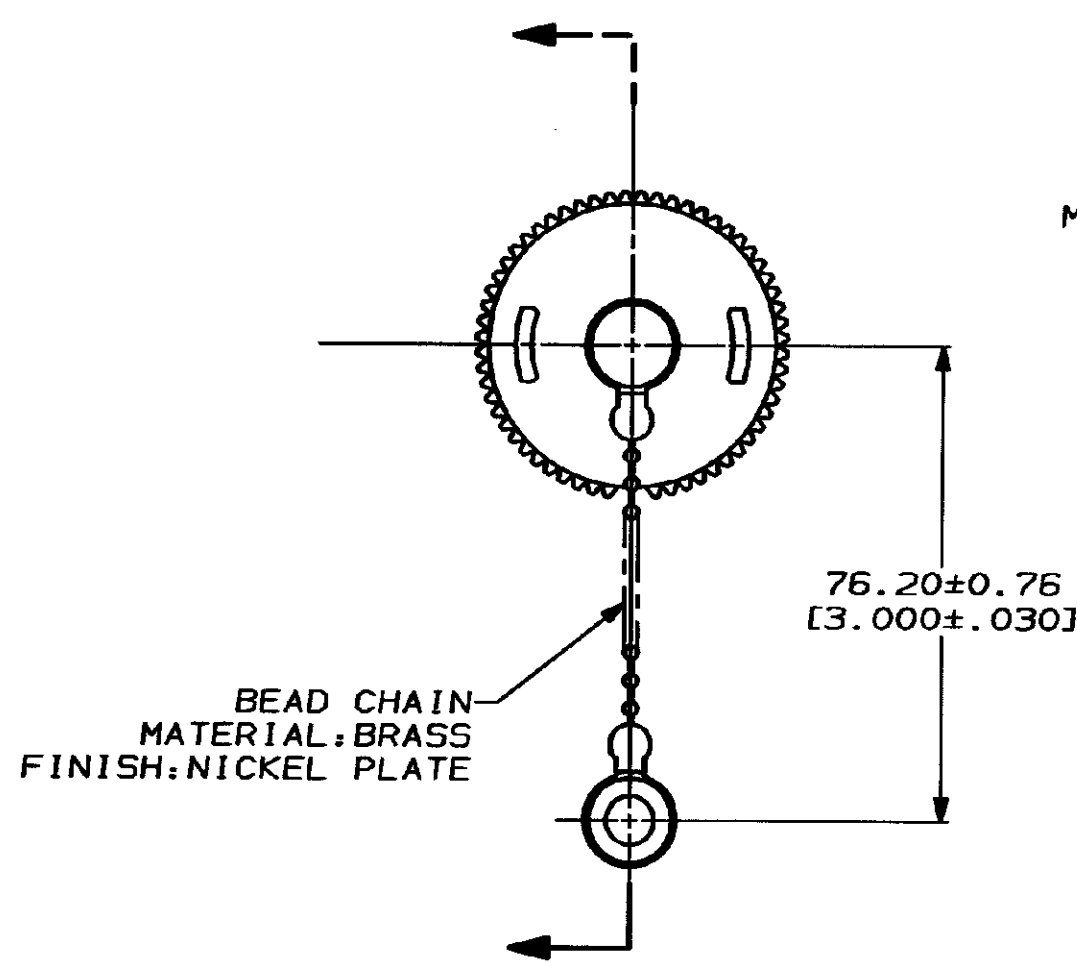
The content and copyrights of the attached  
material are the property of its owner.

Jameco Part Number 839439

DRAWING MADE IN THIRD ANGLE PROJECTION

THIS DRAWING IS UNPUBLISHED. RELEASED FOR PUBLICATION .19  
 © COPYRIGHT 19 BY AMP INCORPORATED. ALL INTERNATIONAL RIGHTS RESERVED.

MOD	LOC	DIST	P	F	ZONE	LTR	DESCRIPTION	DATE	APPD
4	BD	35				A	REDRAWN & REV PER EC 0020-680-93	6-9-93	AF



208800-1  
 PART NUMBER

DO NOT SCALE PRINT. UNLESS SPECIFIED DIMENSIONS IN INCHES TOLERANCES ON: 2 PLC DEC ± 0.13(.005) 3 PLC DEC ± - ANGLES ± -		DR 6-8-93 D. BROCKMAY CHK 7-1-93 R. STONE APPD 7-1-93 AL. FRANTUM APPD 7-1-93 AL. FRANTUM PRODUCT SPEC - APPLICATION SPEC - WEIGHT -	<b>AMP</b> AMP Incorporated Harrisburg, PA 17105-3608 NAME SEALING CAP ASSY, SIZE 11, WITH BEAD CHAIN, CPC SIZE B CAGE CODE 00779 DRAWING NO C-208800 SCALE 2:1 SHEET 1 OF 1
MATERIAL SEE CALLOUTS		PART NO 208800-1	
FINISH SEE CALLOUTS		THIS DRAWING IS A CONTROLLED DOCUMENT FOR AMP INCORPORATED. IT IS SUBJECT TO CHANGE AND THE CONTROLLING ENGINEERING ORGANIZATION SHOULD BE CONTACTED FOR THE LATEST REVISION.	

AMP 1470-15 REV 3-92

CUSTOMER DRAWING