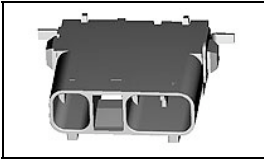



2106053-4 Product Details

[Share](#) [Print](#) [Email](#)



2106053-4

TE Internal Number: 2106053-4
 Active

[View 3D PDF](#)

SlimSeal Solid State Lighting (SSL) Connectors

 Always EU RoHS/ELV Compliant (Statement of Compliance)

Product Highlights:

- Connector
- Wire-to-Board
- 3.50 mm Centerline
- Applies To Printed Circuit Board
- Contact Current Rating, Max. = 5 A

[View all Features](#)

Quick Links

- ▶ [Pricing & Availability](#)
- ▶ [Search for Tooling](#)
- ▶ [Product Feature Selector](#)
- ▶ [Contact Us About This Product](#)

[Add to My Part List](#) [Request Sample](#) [Find Similar Products](#) [Buy Product](#)

Documentation & Additional Information

Product Drawings:

- [ASSEMBLY, VERTICAL SMT HEADER, SLIMSEAL SSL CONNECTOR](#) (PDF, English)

Catalog Pages/Data Sheets:

- [SLIMSEAL_SSL_CONNECOTS](#) (PDF, English)

Product Specifications:

- [SlimSeal SSL Connector](#) (PDF, English)

Application Specifications:

- [SlimSeal Solid State Lighting \(SSL\) Connectors and C...](#) (PDF, English)

Instruction Sheets:

- None Available

CAD Files: [\(CAD Format & Compression Information\)](#)

- [2D Drawing](#) (DXF, Version A)
- [3D Model](#) (IGES, Version A)
- [3D Model](#) (STEP, Version A)

Related Products:

- [Tooling](#)

[List all Documents](#)

Product Features (Please use the Product Drawing for all design activity)

Product Type Features:

- Product Type = Connector
- Connector Type = Header
- Sealed = Yes
- Termination Method to PC Board = Surface Mount
- PCB Mount Retention = With
- PCB Mount Alignment = Without
- SMT Compatible = Yes
- Mount Angle = Vertical
- Keyed = Yes
- PCB Mount Retention Type = Solder Pads
- Make First / Break Last = No

Mechanical Attachment:

- Mating Retention Type = Latching

Electrical Characteristics:

- Contact Current Rating, Max. (A) = 5
- Operating Voltage (VAC) = 250
- Operating Voltage (VDC) = 250

Termination Features:

- Tail Orientation = Staggered

Dimensions:

- Length (X-Axis) (mm [in]) = 27.65 [1.088]
- Width (Z-Axis) (mm [in]) = 7.94 [0.313]
- Profile Height (Y-Axis) (mm [in]) = 17.63 [0.694]
- Post-Mating Assembly Measurement (mm [in]) = 11.58 [0.456]
- Mating Post Length (mm [in]) = 6.48 [0.255]

Body Features:

- Mating Retention = With
- Header Mating Direction = Vertical

Housing Features:

- Centerline (mm [in]) = 3.50 [0.138]
- Connector Style = Receptacle
- Mating Alignment = With
- Housing Material = High Temperature Nylon
- Housing Color = Black
- UL Flammability Rating = UL 94V-0

Configuration Features:

- Number of Positions = 3
- [Number of Rows](#) = 1

Industry Standards:

- IP Dust Sealing Level = 6
- IP Water Sealing Level = 7
- [RoHS/ELV Compliance](#) = RoHS compliant, ELV compliant
- [Lead Free Solder Processes](#) = Reflow solder capable to 245°C, Reflow solder capable to 260°C
- RoHS/ELV Compliance History = Always was RoHS compliant

Identification Marking:

- Circuit Identification Feature = With

Environmental:

- Operating Temperature (°C [°F]) = -40 - +105 [-40 - +221]

Conditions for Usage:

- Applies To = Printed Circuit Board
- SMT Soldering Temperature (°C [°F]) = 225 [437]
- Lighting Interconnect Level = Level 1
- Glow Wire Rating = Standard Part - Not Glow Wire
- UV Exposure Rated = No

Operation/Application:

- Application Use = Wire-to-Board

Contact Features:

- Contact Plating, Termination Area, Material = Matte Tin over Nickel
- Contact Plating, Termination Area, Thickness (μm [μin]) = 7.62 [300]
- Contact Type = Tab
- Contact Plating, Mating Area, Material = Tin
- Contact Plating, Mating Area, Thickness (μm [μin]) = 2.54 [100]
- Stamped and Formed = Yes

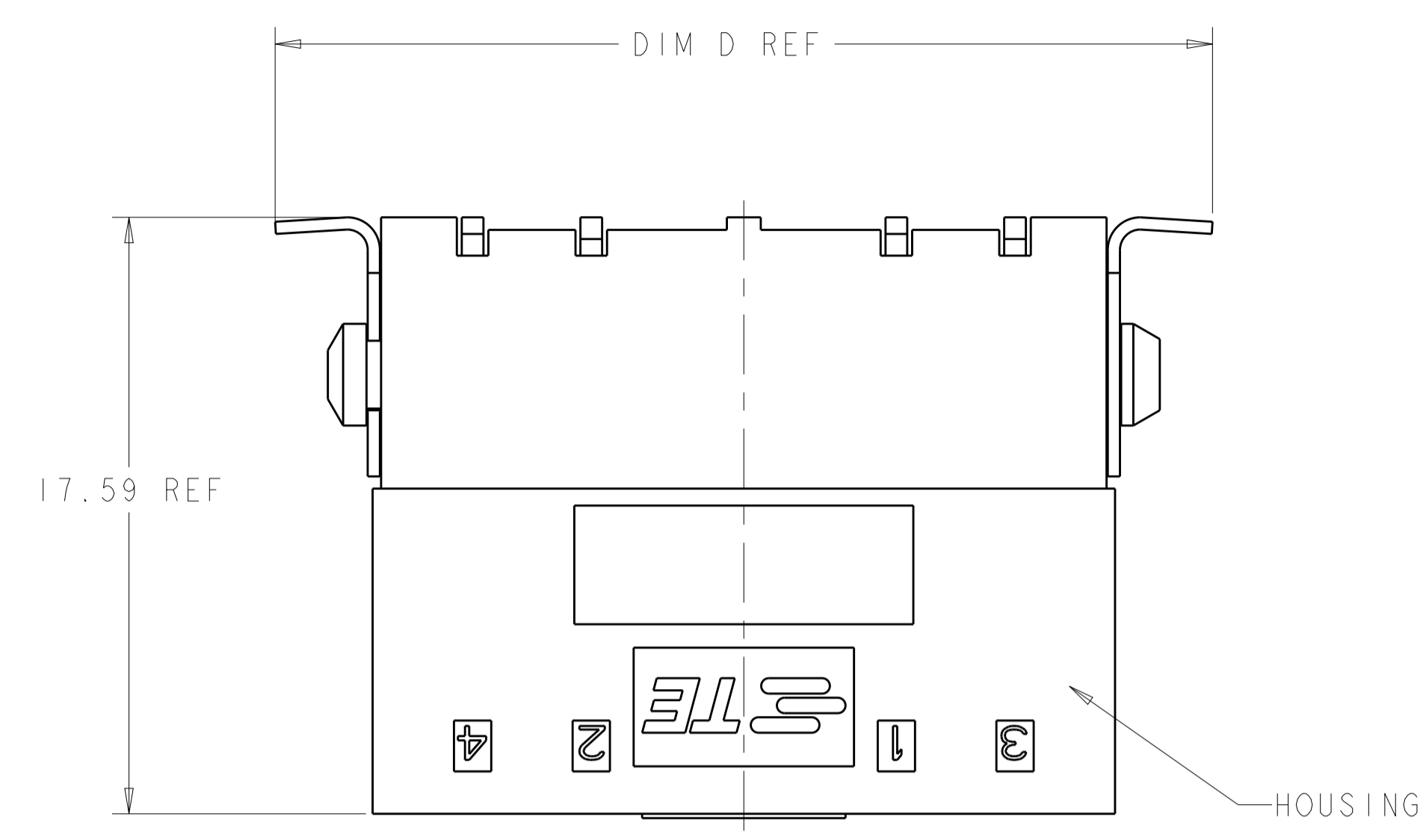
Packaging Features:

- Packaging Method = SMT Pocket Tape

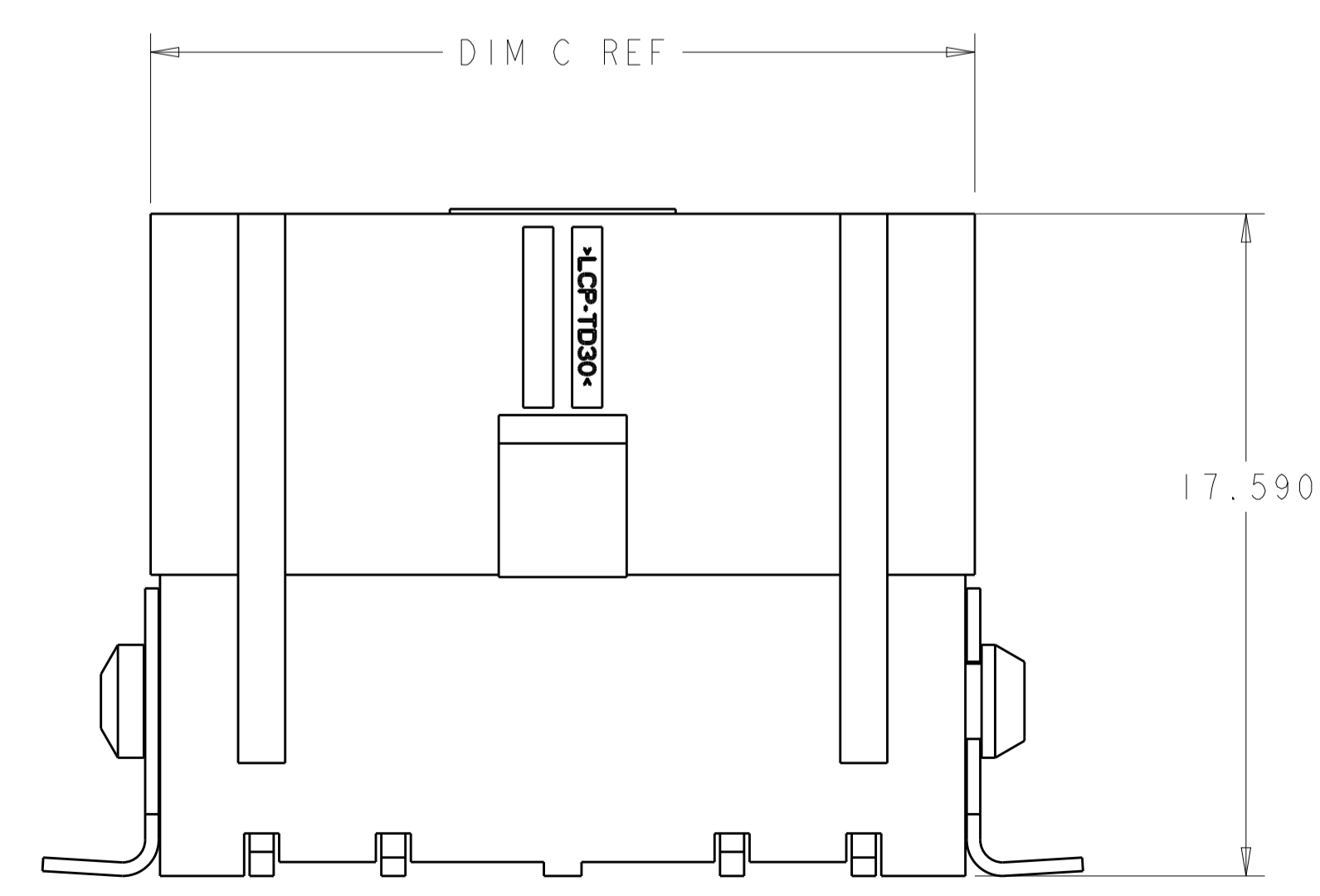
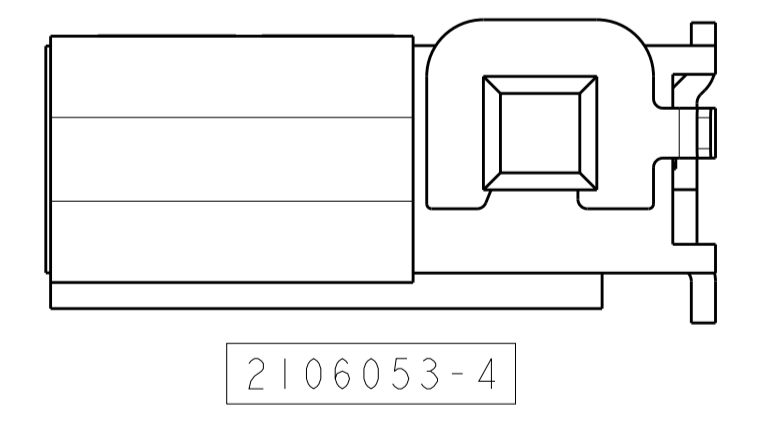
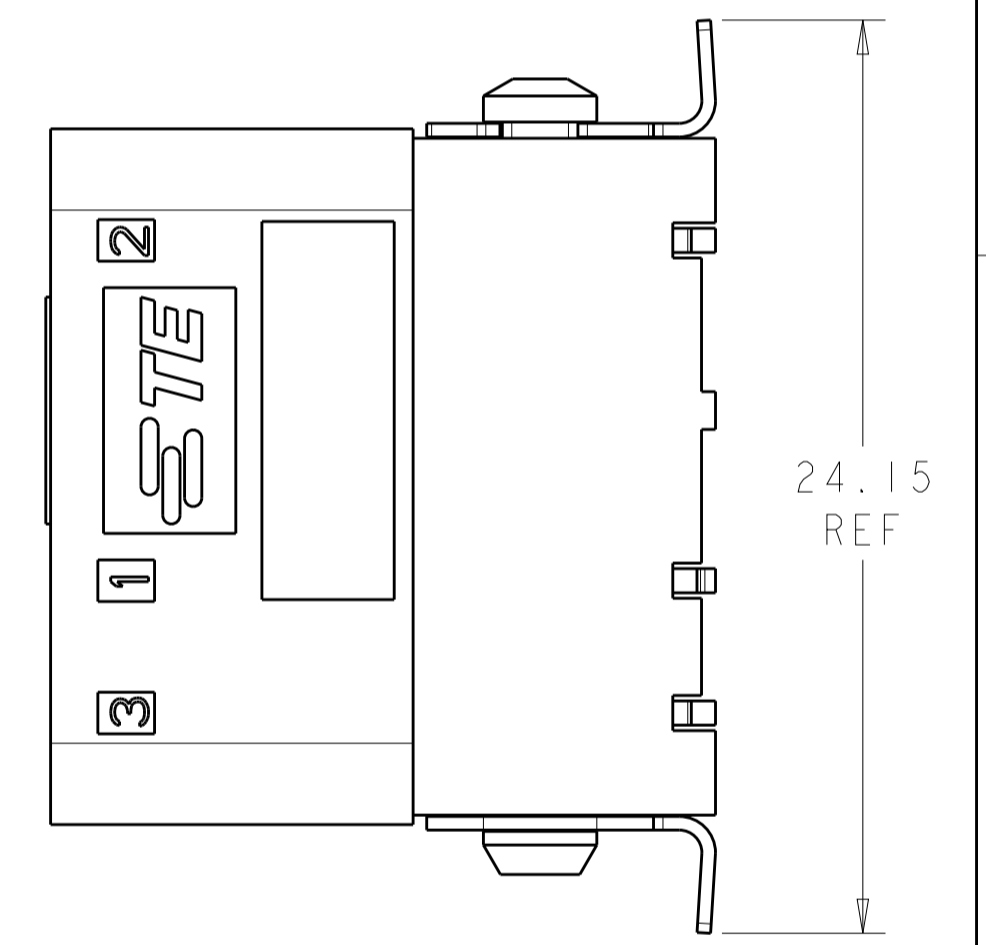
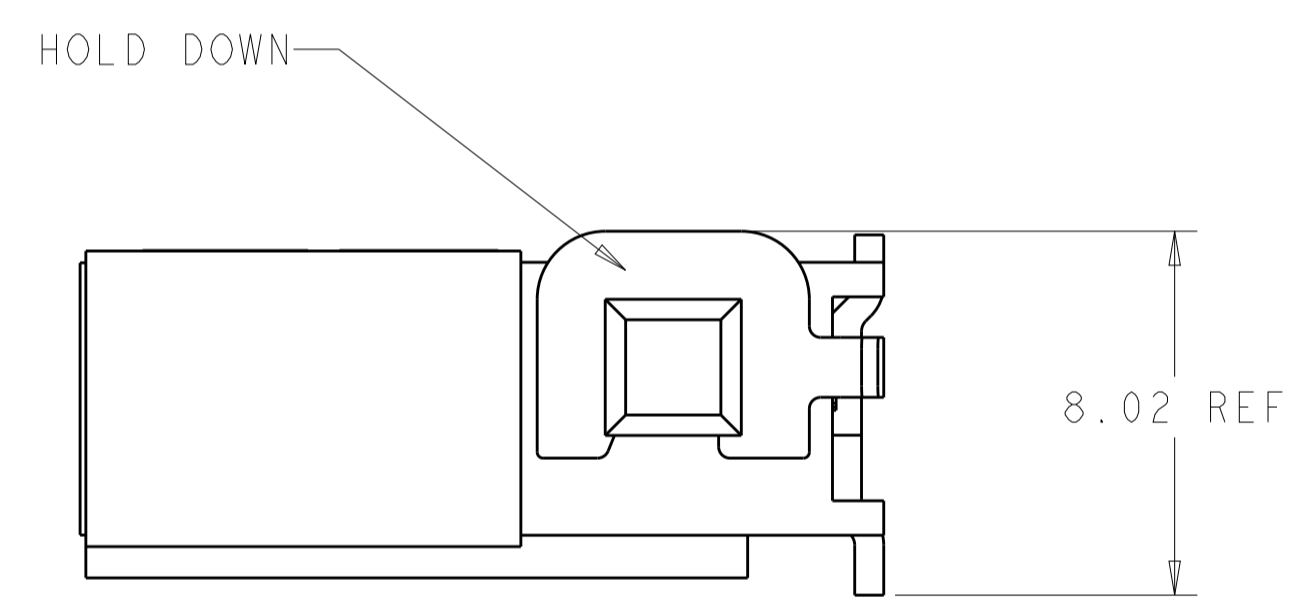
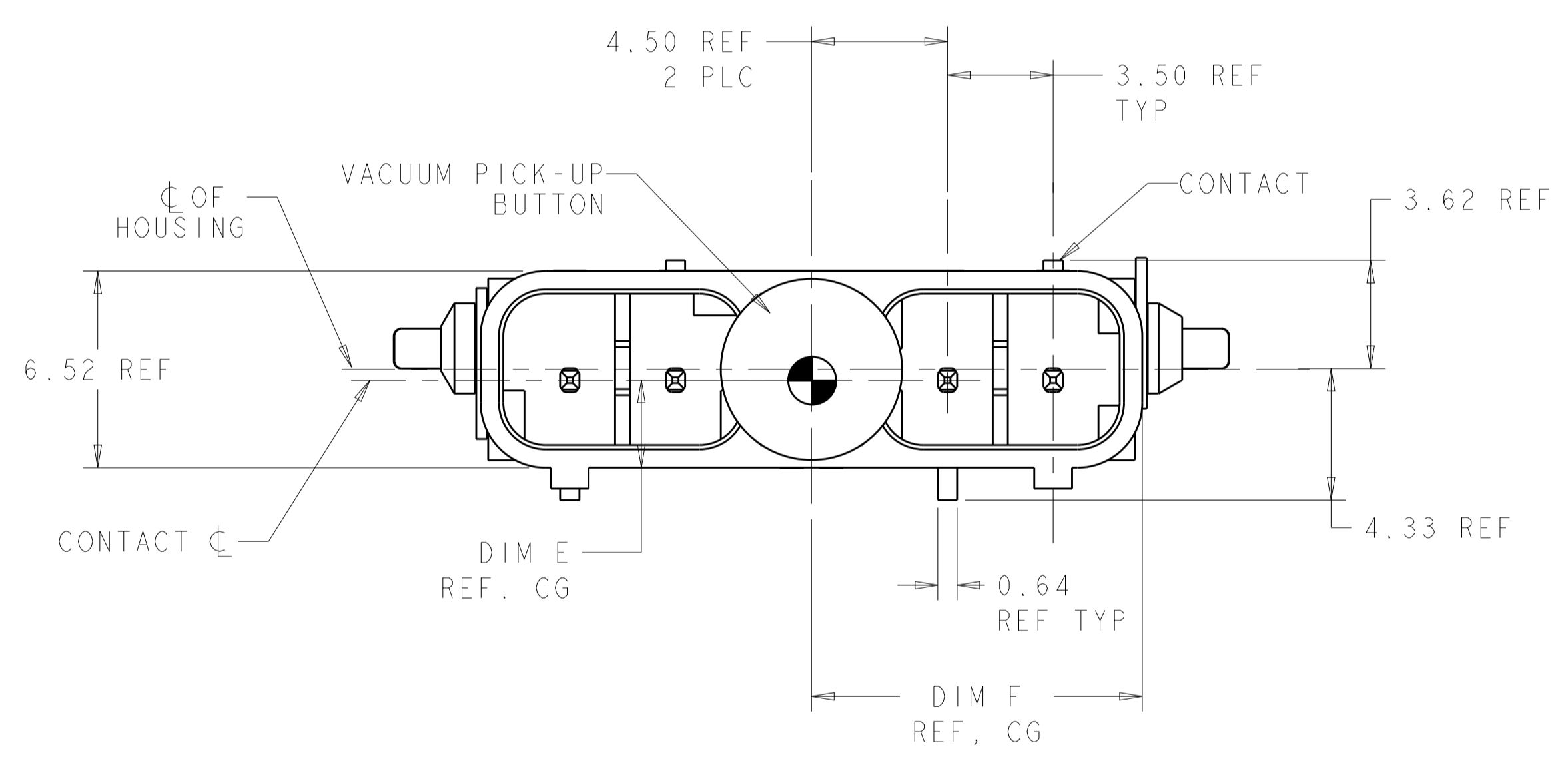
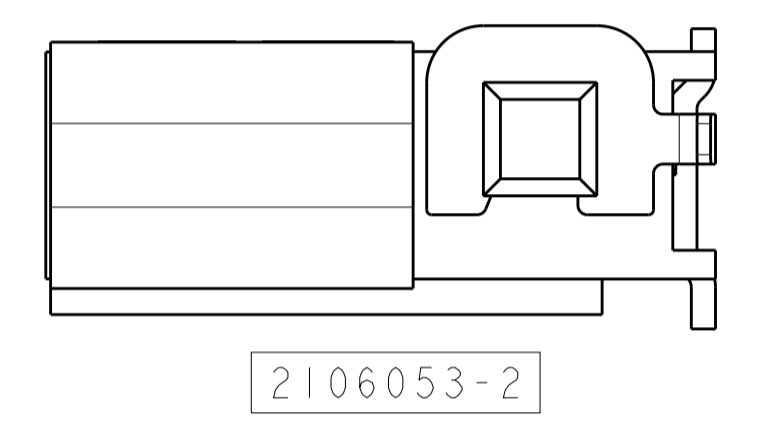
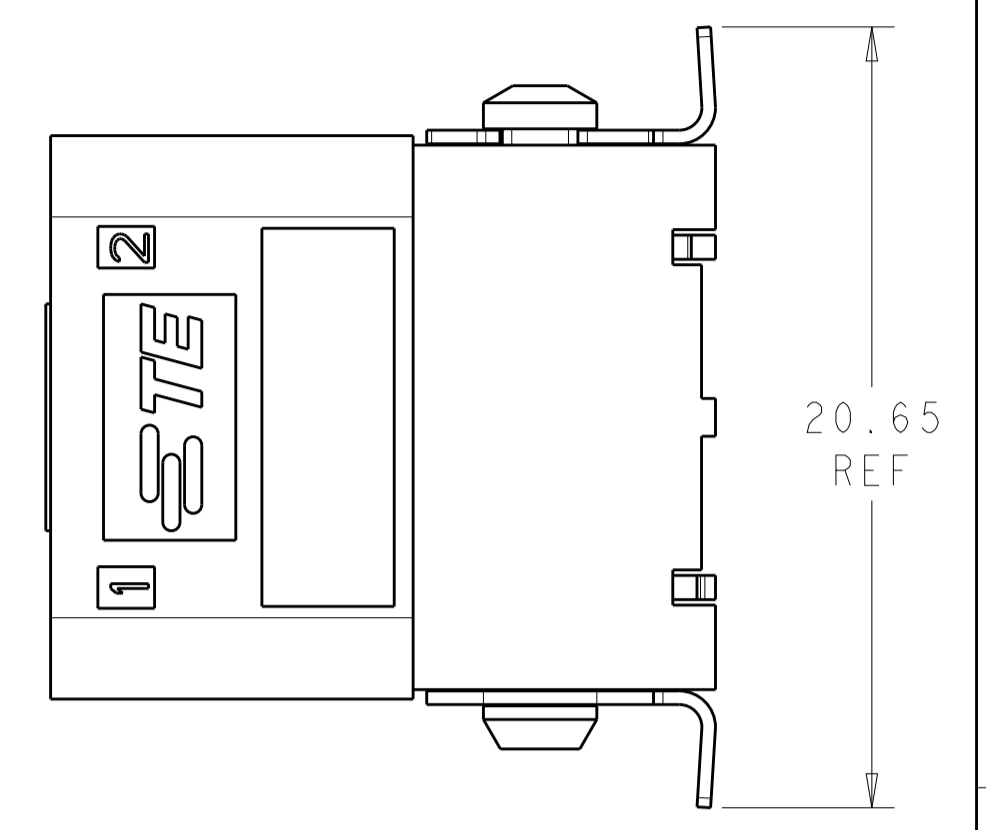
Other:

- Brand = TE Connectivity

LOC	DIST	REVISIONS					
CM	00	P	LTN	DESCRIPTION	DATE	DWN	APVD
		A1		REVISED PER ECO-11-004820	28MAR2011	RK	HMR
		A2		REVISED PER ECO-12-003780	25FEB2012	HVG	DD
		B		REVISED PER ECR-13-008007	17SEP2013	RS	DD



- 1 MATERIAL: HOUSING: LCP, COLOR: BLACK.
- 2 CONTACTS: BRASS.
FINISH: 2.54µm MIN MATTE TIN OVER NICKEL (ENTIRE POST).
HOLDDOWN: COPPER ALLOY.
FINISH: 2.54µm MIN MATTE TIN OVER NICKEL.
- 3 VACUUM PICK-UP
BUTTON: POLYIMIDE.
- 4 THIS PRODUCT HAS NOT COMPLETED VALIDATION TESTING.
- 5 RECOMMENDED PC BOARD THICKNESS OF 1.57.
- 6 TAPE AND REEL PACKAGING PER EIA-481 SPEC.
- 7 MUST COMPLY WITH DIRECTIVE 2002/95/EC (ROHS).



10.94	3.19	27.65	21.90	12.46	12.46	4	2106053-6
9.20	3.20	24.15	18.40	8.96	12.46	3	2106053-4
7.44	3.18	20.65	14.90	8.96	8.96	2	2106053-2
DIM F	DIM E	DIM D	DIM C	DIM B	DIM A	POSN	PART NUMBER

THIS DRAWING IS A CONTROLLED DOCUMENT. DWN: HM VAN SCOY 23JAN2009
 CHK: A. BUCHER 23JAN2009
 APVD: A. BUCHER 23JAN2009

STE TE Connectivity

ASSEMBLY, VERTICAL SMT HEADER, SLIMSEAL SSL CONNECTOR

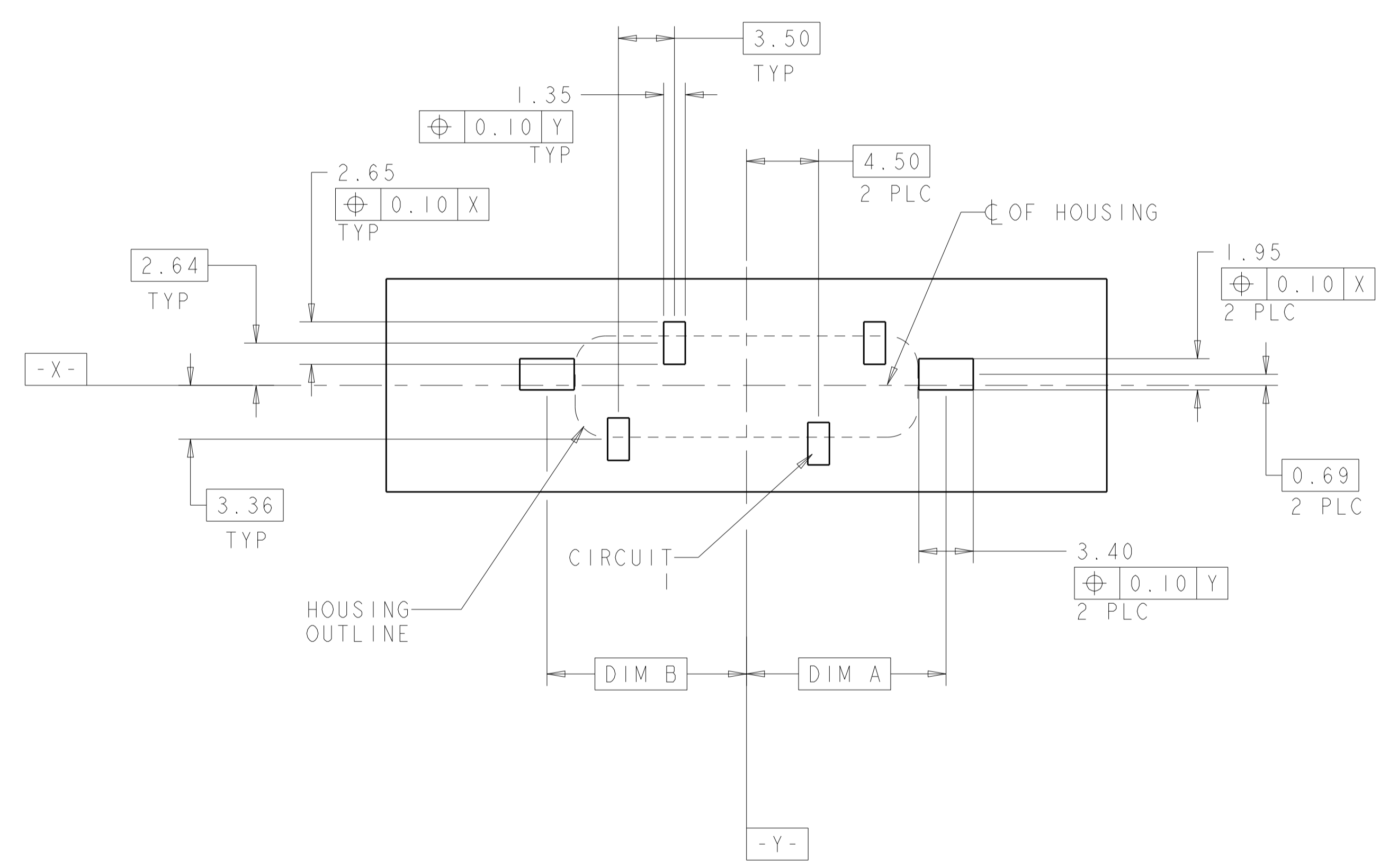
PRODUCT SPEC: 108-2391
 APPLICATION SPEC: 114-13261
 WEIGHT: -
 CUSTOMER DRAWING

DIMENSIONS: mm
 TOLERANCES UNLESS OTHERWISE SPECIFIED:
 0 PLC ±0.2
 1 PLC ±0.15
 2 PLC ±0.15
 3 PLC ±0.15
 4 PLC ±0.15
 ANGLES ±0.5°

MATERIAL: 1 2 3
 FINISH: 2

SCALE: 4:1 SHEET 1 OF 2 REV B

LOC	DIST	REVISIONS			
P	LTN	DESCRIPTION	DATE	DWN	APVD
-	-	SEE SHEET 1	-	-	-



RECOMMENDED PC BOARD PAD LAYOUT, COMPONENT SIDE
 DIMENSIONS APPLY TO ALL POSITIONS UNLESS OTHERWISE NOTED

THIS DRAWING IS A CONTROLLED DOCUMENT.		DWN: MM VAN SCIO 23JAN2009	TE Connectivity
DIMENSIONS: mm		CHK: A. BUCHER 23JAN2009	
TOLERANCES UNLESS OTHERWISE SPECIFIED:		APVD: A. BUCHER 23JAN2009	NAME: ASSEMBLY, VERTICAL SMT HEADER, SLIMSEAL SSL CONNECTOR
0 PLC ±	1 PLC ±0.2	PRODUCT SPEC: 108-2391	SIZE: CAGE CODE DRAWING NO. RESTRICTED TO
2 PLC ±0.15	3 PLC ±	APPLICATION SPEC: 114-13261	A100779C=2106053
4 PLC ±	ANGLES ±°	WEIGHT: -	CUSTOMER DRAWING
MATERIAL:		SCALE: 4:1 SHEET 2 OF 2 REV B	