

2106135-3 Product Details

[Share](#) [Print](#) [Email](#)



2106135-3

TE Internal Number: 2106135-3

Active

View 3D PDF

SlimSeal Solid State Lighting (SSL) Connectors

Always EU RoHS/ELV Compliant (Statement of Compliance)

Product Highlights:

- Connector
- Wire-to-Board, Wire-to-Board / Wire-to-Wire, Wire-to-Wire
- 3.50 mm Centerline
- Applies To Wire/Cable
- Operating Voltage = 250 VAC

[View all Features](#)

Quick Links

- ▶ [Pricing & Availability](#)
- ▶ [Search for Tooling](#)
- ▶ [Product Feature Selector](#)
- ▶ [Contact Us About This Product](#)

[Add to My Part List](#)

[Request Sample](#)

[Find Similar Products](#)

[Buy Product](#)

Documentation & Additional Information

Product Drawings:

- [ASSEMBLY, PLUG, FREE HANGING SLIMSEAL SSL CONNECTOR](#) (PDF, English)

Catalog Pages/Data Sheets:

- [SLIMSEAL_SSL_CONNECOTS](#) (PDF, English)

Product Specifications:

- [SlimSeal SSL Connector](#) (PDF, English)

Application Specifications:

- [SlimSeal Solid State Lighting \(SSL\) Connectors and C...](#) (PDF, English)

Instruction Sheets:

- None Available

CAD Files: ([CAD Format & Compression Information](#))

- [2D Drawing](#) (DXF, Version B)
- [3D Model](#) (IGES, Version B)
- [3D Model](#) (STEP, Version B)

[List all Documents](#)

Related Products:

- [Tooling](#)

Product Features (Please use the Product Drawing for all design activity)

Product Type Features:

- Product Type = Connector
- Connector Type = Housing
- Strain Relief = Without
- Sealed = Yes
- Wire/Cable Type = Discrete Wire
- Keyed = Yes
- Make First / Break Last = No

Mechanical Attachment:

- Mating Retention Type = Latching

Electrical Characteristics:

- Operating Voltage (VAC) = 250
- Operating Voltage (VDC) = 250

Dimensions:

- Length (X-Axis) (mm [in]) = 25.00 [0.9843]
- Width (Z-Axis) (mm [in]) = 17.90 [0.705]
- Profile Height (Y-Axis) (mm [in]) = 6.02 [0.237]
- Post-Mating Assembly Measurement (mm [in]) = 25 [0.984]

Body Features:

- Mating Retention = With

Contact Features:

- Contact Type = Socket

Housing Features:

- Centerline (mm [in]) = 3.50 [0.138]
- Connector Style = Plug
- Mating Alignment = With
- Housing Material = Polycarbonate GF
- Housing Color = Black
- UL Flammability Rating = UL 94V-0

Configuration Features:

- Number of Positions = 3
- Number of Rows = 1
- Pre-Designed Cables Available = Yes

Industry Standards:

- IP Dust Sealing Level = 6
- IP Water Sealing Level = 7
- [RoHS/ELV Compliance](#) = RoHS compliant, ELV compliant
- [Lead Free Solder Processes](#) = Not relevant for lead free process
- RoHS/ELV Compliance History = Always was RoHS compliant

Identification Marking:

- Circuit Identification Feature = With

Environmental:

- Operating Temperature (°C [°F]) = -40 - +105 [-40 - +221]

Conditions for Usage:

- Applies To = Wire/Cable
- Lighting Interconnect Level = Level 2
- Glow Wire Rating = Standard Part - Not Glow Wire
- UV Exposure Rated = No

Operation/Application:

- Application Use = Wire-to-Board, Wire-to-Board / Wire-to-Wire, Wire-to-Wire

Packaging Features:

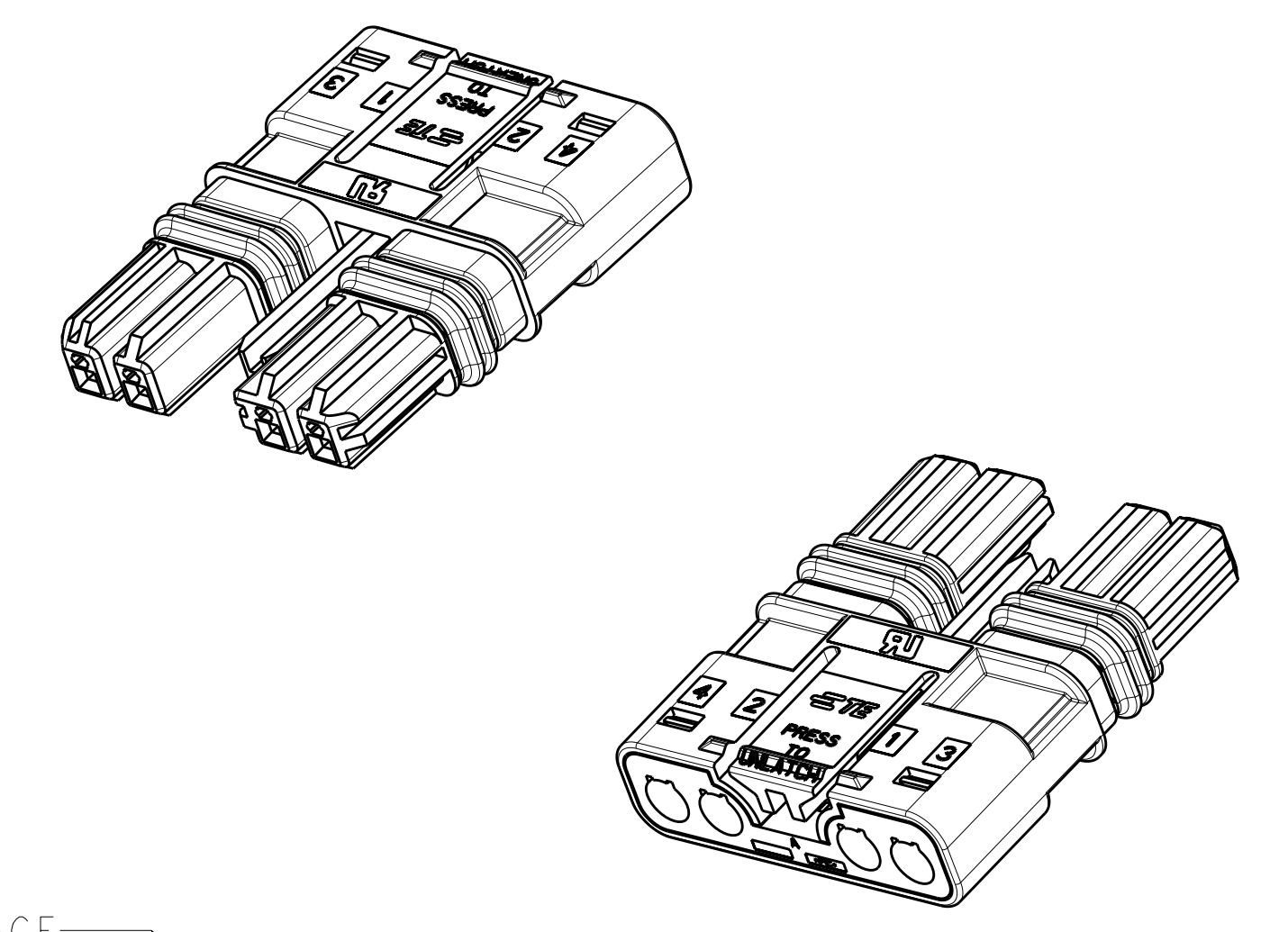
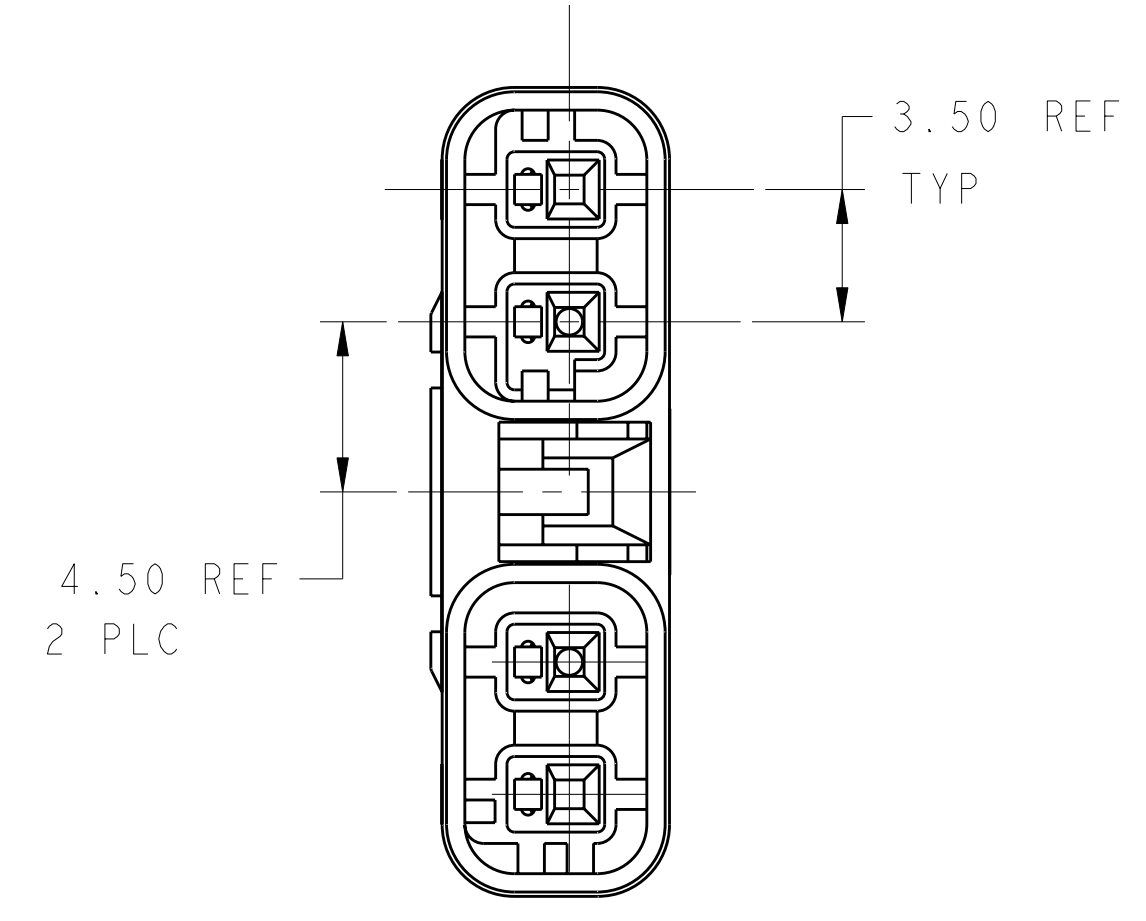
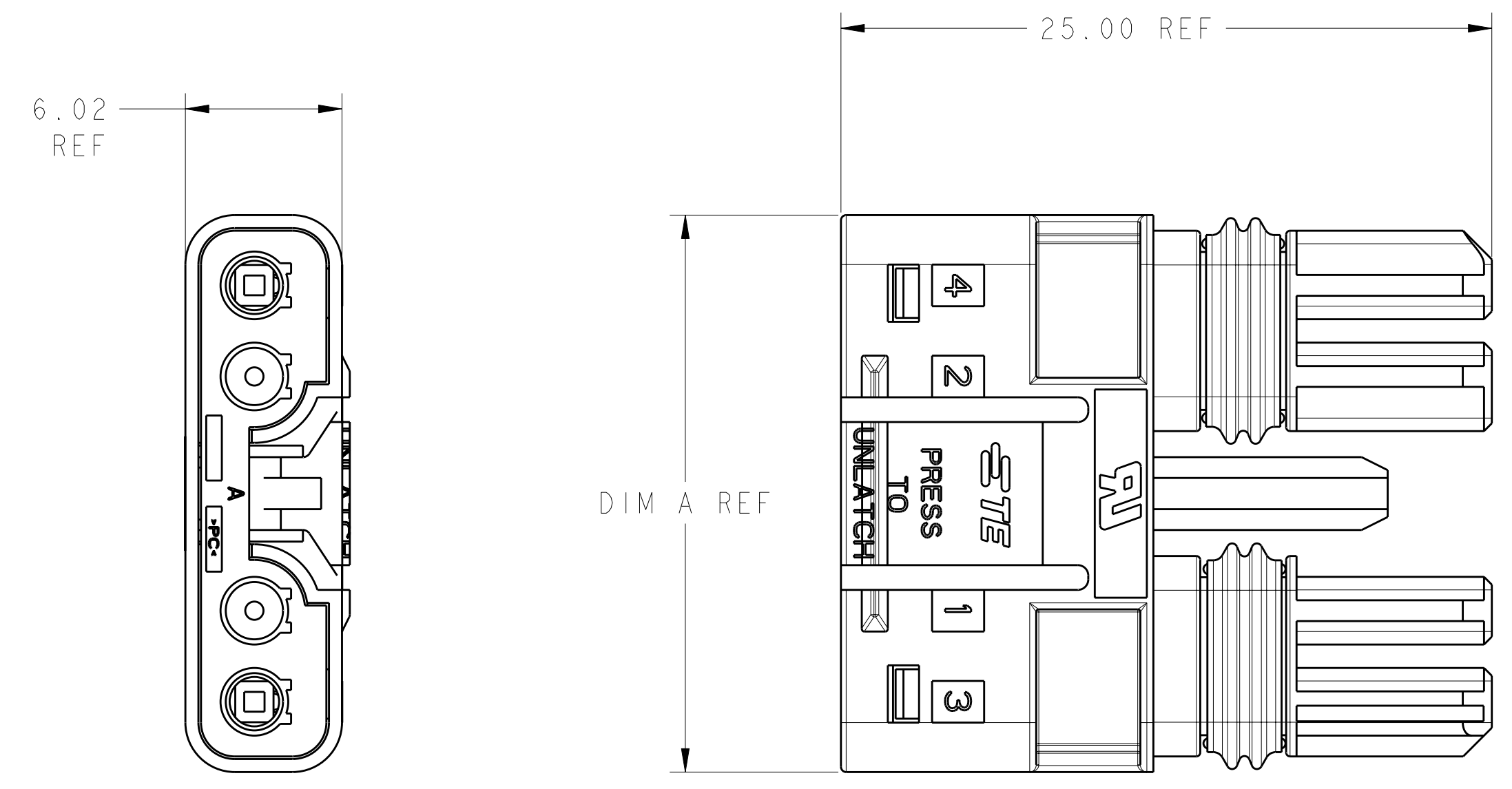
- Packaging Method = Bulk

Other:

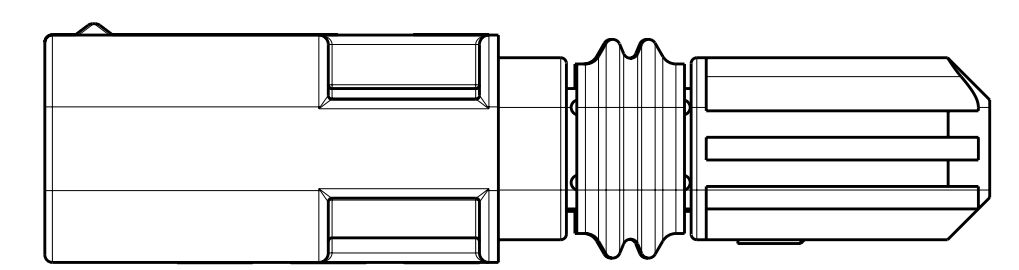
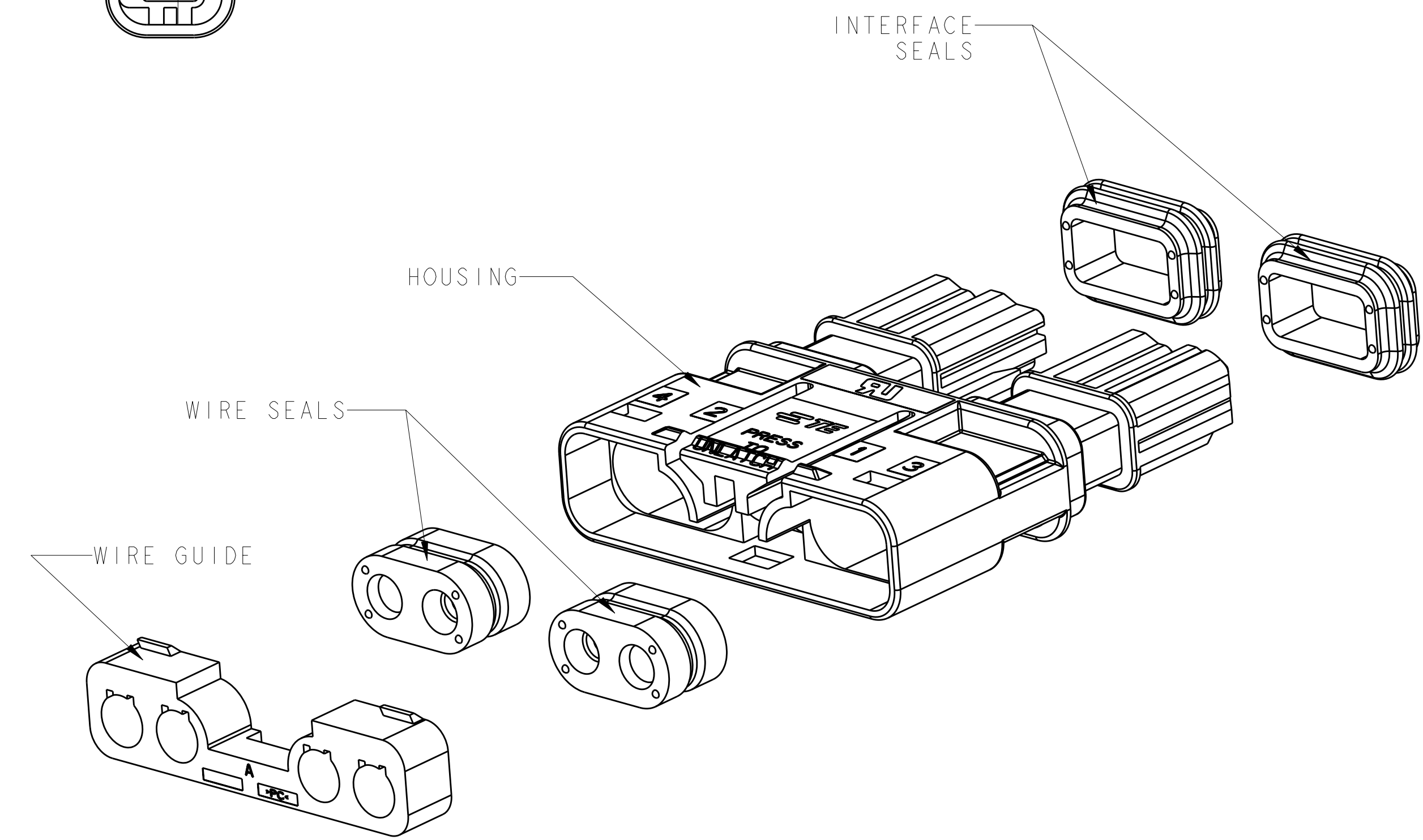
- Brand = TE Connectivity

LOC	DIST	REVISIONS			
		REV	DATE	BY	APPD
CM	00	A1	11MAR2011	RK	HMR
		B	26DEC2011	HVG	DD
		B1	15MAY2012	RS	DD

- ⚠ MATERIAL: HOUSING: POLYCARBONATE, FI PER UL 746C, COLOR: BLACK
 WIRE GUIDE: POLYCARBONATE, FI PER UL 746C, COLOR: BLACK
 SEALS: SILICONE RUBBER, COLOR BLUE
2. THIS PART HAS NOT COMPLETED VALIDATION TESTING.
 3. MUST COMPLY WITH DIRECTIVE 2002/95/EC (ROHS).



2106135-4
 SCALE 3:1



2106135-4 SHOWN

21.40	4	2106135-4
17.90	3	2106135-3
14.40	2	2106135-2
DIM A REF	NO. OF POSN	PART NUMBER

THIS DRAWING IS A CONTROLLED DOCUMENT.		DW: WM.VAN SCOOC 12FEB2009		TE Connectivity	
DIMENSIONS: mm		CHK: A. BUCHER 12FEB2009			
TOLERANCES UNLESS OTHERWISE SPECIFIED:		APVD: A. BUCHER 12FEB2009		NAME: ASSEMBLY, PLUG, FREE HANGING SLIMSEAL SSL CONNECTOR	
0 PLC ± 1 PLC ±0.2 3 PLC ±0.15 5 PLC ± 4 PLC ± ANGLES ±°'		PRODUCT SPEC: 108-2391 APPLICATION SPEC: 114-13261		SIZE: A1 CAGE CODE: C=2106135 DRAWING NO: 2106135	
MATERIAL:		FINISH: -		WEIGHT: -	
CUSTOMER DRAWING		SCALE: 4:1		SHEET 1 OF 1 REV: B1	