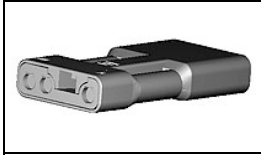


## 2106136-3 Product Details

[Share](#) [Print](#) [Email](#)



**2106136-3**

TE Internal Number: 2106136-3

Active

View 3D PDF

### SlimSeal Solid State Lighting (SSL) Connectors

Always EU RoHS/ELV Compliant (Statement of Compliance)

#### Product Highlights:

- Connector
- Wire-to-Board, Wire-to-Board / Wire-to-Wire, Wire-to-Wire
- 3.50 mm Centerline
- Applies To Wire/Cable
- Operating Voltage = 250 VAC

[View all Features](#)

#### Quick Links

- ▶ [Pricing & Availability](#)
- ▶ [Search for Tooling](#)
- ▶ [Product Feature Selector](#)
- ▶ [Contact Us About This Product](#)

[Add to My Part List](#) [Request Sample](#) [Find Similar Products](#) [Buy Product](#)

### Documentation & Additional Information

#### Product Drawings:

- [ASSEMBLY, RECEPTACLE, FREE HANGING, SLIMSEAL SSL CON...](#) (PDF, English)

#### Catalog Pages/Data Sheets:

- [SLIMSEAL\\_SSL\\_CONNECOTS](#) (PDF, English)

#### Product Specifications:

- [SlimSeal SSL Connector](#) (PDF, English)

#### Application Specifications:

- [SlimSeal Solid State Lighting \(SSL\) Connectors and C...](#) (PDF, English)

#### Instruction Sheets:

- None Available

#### CAD Files: ([CAD Format & Compression Information](#))

- [2D Drawing](#) (DXF, Version A)
- [3D Model](#) (IGES, Version A)
- [3D Model](#) (STEP, Version A)

[List all Documents](#)

#### Related Products:

- [Tooling](#)

### Product Features (Please use the Product Drawing for all design activity)

#### Product Type Features:

- Product Type = Connector
- Connector Type = Housing
- Strain Relief = Without
- Sealed = Yes
- Wire/Cable Type = Discrete Wire
- Keyed = Yes
- Make First / Break Last = No

#### Mechanical Attachment:

- Mating Retention Type = Latching

#### Electrical Characteristics:

- Operating Voltage (VAC) = 250
- Operating Voltage (VDC) = 250

#### Dimensions:

- Length (X-Axis) (mm [in]) = 35.30 [1.389]
- Width (Z-Axis) (mm [in]) = 17.90 [0.705]
- Profile Height (Y-Axis) (mm [in]) = 6.02 [0.237]
- Post-Mating Assembly Measurement (mm [in]) = 21.8 [0.858]

#### Body Features:

- Mating Retention = With

#### Contact Features:

- Contact Type = Tab

#### Housing Features:

- Centerline (mm [in]) = 3.50 [0.138]
- Connector Style = Receptacle
- Mating Alignment = With
- Housing Material = Polycarbonate GF
- Housing Color = Black
- UL Flammability Rating = UL 94V-0

#### Configuration Features:

- Number of Positions = 3
- Number of Rows = 1
- Pre-Designed Cables Available = Yes

#### Industry Standards:

- IP Dust Sealing Level = 6
- IP Water Sealing Level = 7
- [RoHS/ELV Compliance](#) = RoHS compliant, ELV compliant
- [Lead Free Solder Processes](#) = Not relevant for lead free process
- RoHS/ELV Compliance History = Always was RoHS compliant

#### Identification Marking:

- Circuit Identification Feature = With

#### Environmental:

- Operating Temperature (°C [°F]) = -40 - +105 [-40 - +221]

#### Conditions for Usage:

- Applies To = Wire/Cable
- Lighting Interconnect Level = Level 2
- Glow Wire Rating = Standard Part - Not Glow Wire
- UV Exposure Rated = No

#### Operation/Application:

- Application Use = Wire-to-Board, Wire-to-Board / Wire-to-Wire, Wire-to-Wire

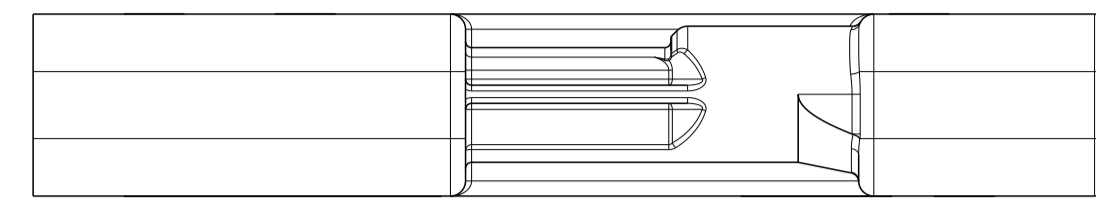
#### Packaging Features:

- Packaging Method = Bulk

#### Other:

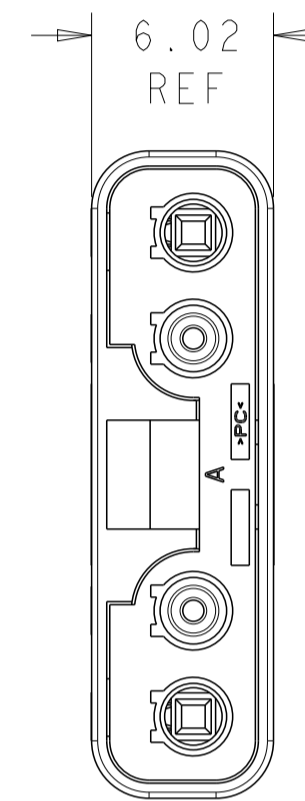
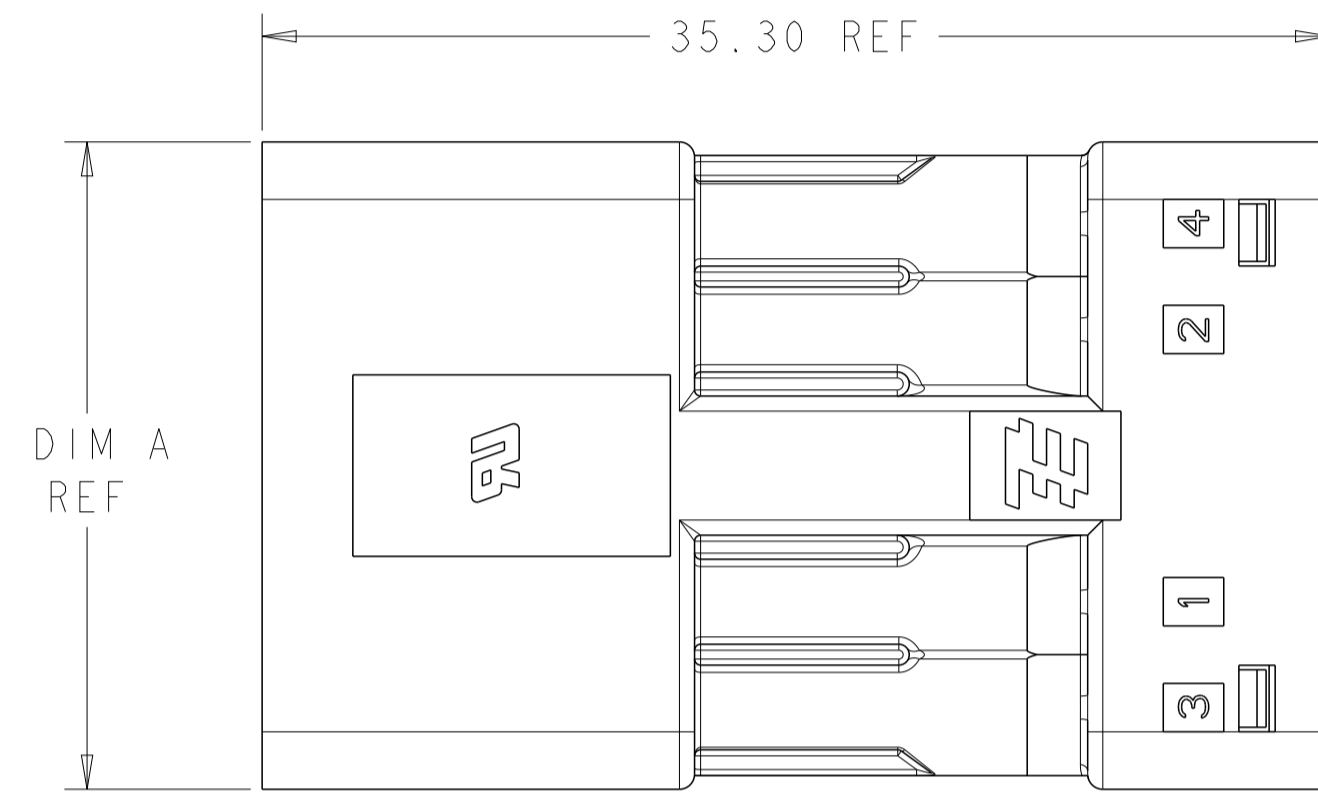
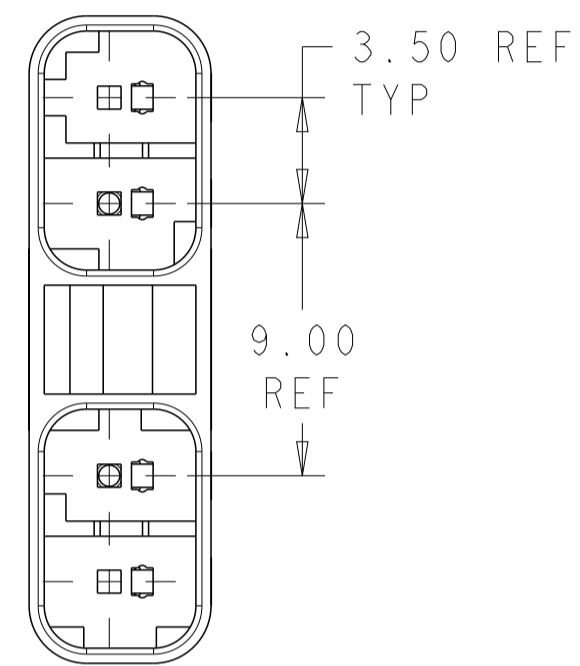
- Brand = TE Connectivity

LOC		DIST		REVISIONS			
P	LTN	DESCRIPTION	DATE	DMN	APVD		
A1		REVISED PER ECO-11-004820	11MAR2011	RK	HMR		
A2		REVISED PER ECR-12-017779	19OCT2012	RS	DD		

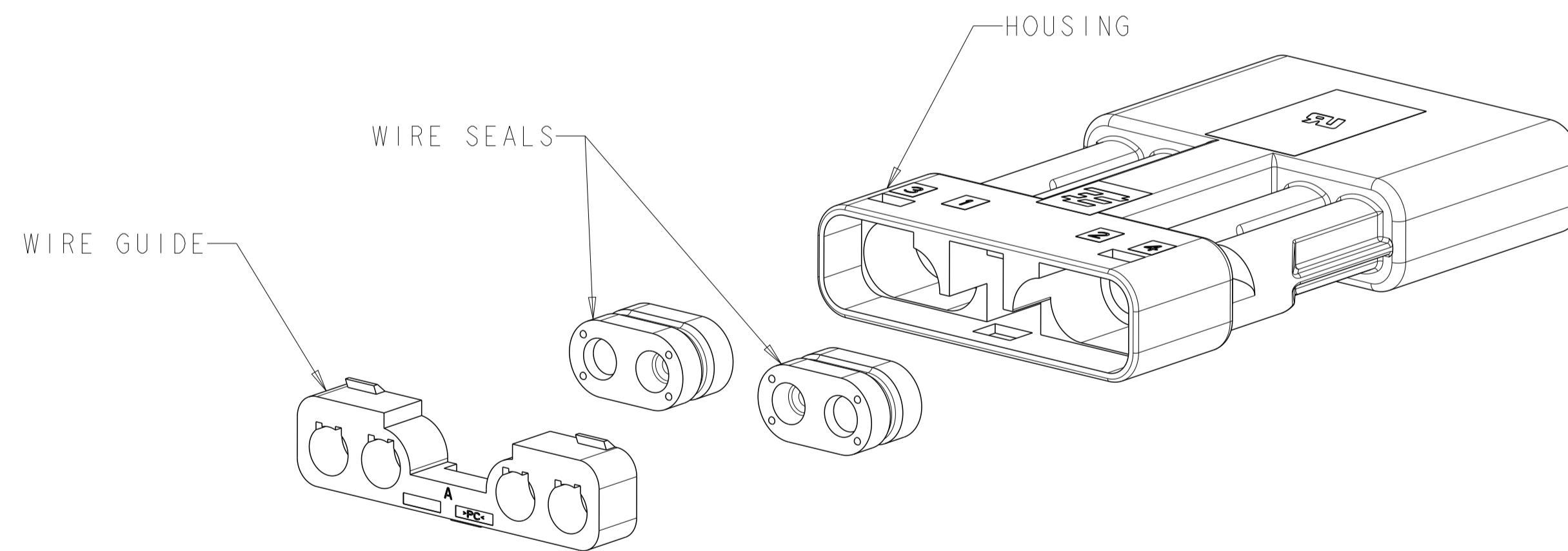
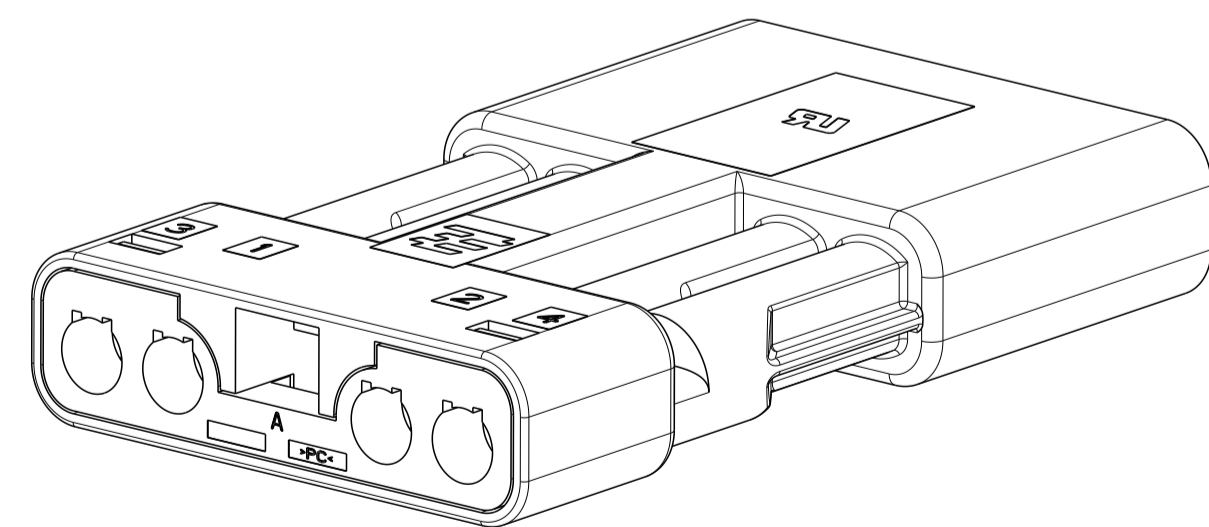
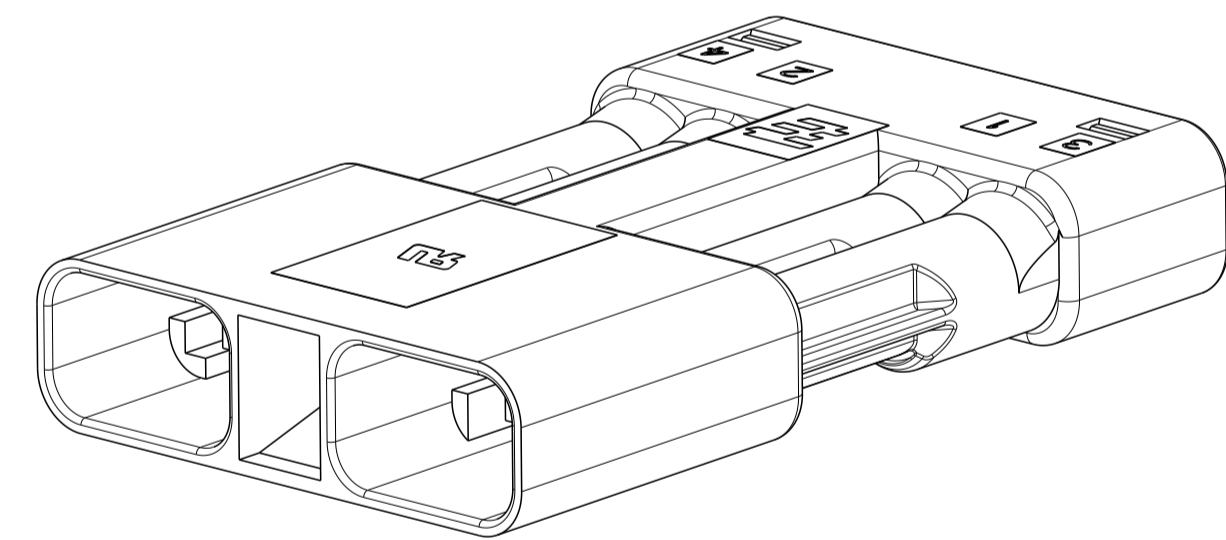


⚠ MATERIALS:  
 HOUSING: POLYCARBONATE, FI PER UL 746C,  
 COLOR: BLACK  
 WIRE GUIDE: POLYCARBONATE, FI PER UL 746C,  
 COLOR: BLACK  
 WIRE SEALS: SILICONE RUBBER, COLOR: BLUE

- THIS PART HAS NOT COMPLETED VALIDATION TESTING.
- MUST COMPLY WITH DIRECTIVE 2002/95/EC (ROHS).



2106136-4 SHOWN



21.40	4	2106136-4
17.90	3	2106136-3
14.40	2	2106136-2
DIM A	NO OF POSN	PART NUMBER

THIS DRAWING IS A CONTROLLED DOCUMENT.		DMN R BROWN 16FEB2009	TE Connectivity	
DIMENSIONS:		CHK A BUCHER 16FEB2009	NAME ASSEMBLY, RECEPTACLE, FREE HANGING, SLIMSEAL SSL CONNECTOR	
mm	TOLERANCES UNLESS OTHERWISE SPECIFIED:	APVD	PRODUCT SPEC	RESTRICTED TO
0 PLC	±0.2		108-2391	
2 PLC	±0.15		APPLICATION SPEC	
3 PLC	±0.1		114-13261	
4 PLC	±0.05		WEIGHT	
ANGLES	±0.5		A100779C=2106136	
MATERIAL	FINISH		CUSTOMER DRAWING	SCALE 4:1 SHEET 1 OF 1 REV A2