



Introducing SOLARLOK Locking Collar Connector Accessory

The SOLARLOK locking collar connector accessory is applied to the fully mated cable coupler male and female connectors. This connector latch locking collar helps to prevent any access to the cable coupler release feature thus making accidental disconnects a thing of the past. In order to release the connector latch locking collar, a simple flathead screwdriver will need to be inserted into the screwdriver slot, lifted and slid back to expose the connector squeeze to release wings. This action will open the locking accessory and qualify as a “tooled extraction.”



SOLARLOK Locking Collar Connector Accessory

KEY FEATURES

- Meets NEC 2008 Article 690.33(c) tooling extraction requirement
- Made from rugged, durable plastic meant to survive high impact applications in conjunction with UL standards.
- The material is UV rated to F-1 to provide long product life in sunlight applications.

TE Technical Support Center

USA:	+1 (800) 522-6752
Canada:	+1 (905) 475-6222
Mexico:	+52 (0) 55-1106-0800
Latin/S. America:	+54 (0) 11-4733-2200
Germany:	+49 (0) 6251-133-1999
UK:	+44 (0) 800-267666
France:	+33 (0) 1-3420-8686
Netherlands:	+31 (0) 73-6246-999
China:	+86 (0) 400-820-6015

te.com/solar

© 2011 Tyco Electronics Corporation,
a TE Connectivity Ltd. company. All Rights Reserved.
1-1773455-4 CIS FP 2.5M 04/2011

SOLARLOK, TE Connectivity, TE connectivity (logo) and TE (logo) are trademarks. Other logos, product and/or company names might be trademarks of their respective owners.

APPLICATIONS

This connector locking collar will be required by NEC 2008 code in any accessible photovoltaic locations where mated cable couplers will be exposed. This includes wire-to-wire applications and wire-to-junction box applications when connectorized boxes are used.

MECHANICAL

Incorporates a simple locking feature molded into the plastic to provide strong mechanical features, yet provides ease-of-use.

MATERIALS

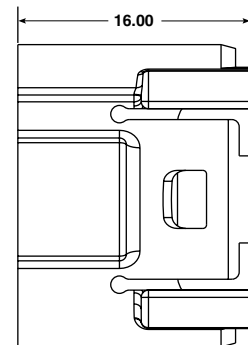
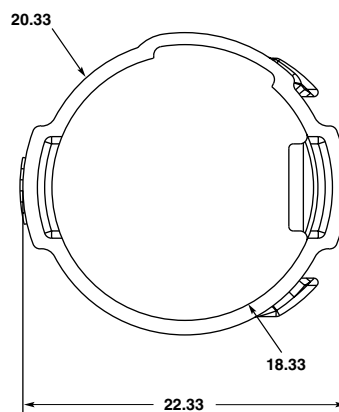
The connector latch locking collar is made from a polycarbonate material that is UV rated to F-1 for a long performance life.

PRODUCT OFFERING

Part number : **2106207-1**

APPLICATION TOOLING

Small flathead screwdriver



While TE has made every reasonable effort to ensure the accuracy of the information in this brochure, TE does not guarantee that it is error-free, nor does TE make any other representation, warranty or guarantee that the information is accurate, correct, reliable or current. TE reserves the right to make any adjustments to the information contained herein at any time without notice. TE expressly disclaims all implied warranties regarding the information contained herein, including, but not limited to, any implied warranties of merchantability or fitness for a particular purpose. The dimensions in this catalog are for reference purposes only and are subject to change without notice. Specifications are subject to change without notice. Consult TE for the latest dimensions and design specifications.