

## 2106207-1 Product Details

[Share](#) [Print](#) [Email](#)



**2106207-1**

TE Internal Number: 2106207-1  
 Active

### SOLARLOK Connector System

Always EU RoHS/ELV Compliant (Statement of Compliance)

**Product Highlights:**

- Accessory
- Accessory Type = Connector Latch Locking Collar
- Type of Connector = Cable Coupler
- Packaging Quantity = 100
- RoHS compliant, ELV compliant

[View all Features](#)

### Quick Links

- [Pricing & Availability](#)
- [Search for Tooling](#)
- [Product Feature Selector](#)
- [Contact Us About This Product](#)

[Add to My Part List](#) [Request Sample](#) [Find Similar Products](#) [Buy Product](#)

### Documentation & Additional Information

**Product Drawings:**

- [SOLARLOK LOCKING COLLAR](#) (PDF, English)

**Catalog Pages/Data Sheets:**

- [SOLARLOK\\_LOCKING\\_COLLAR\\_CONNECTOR\\_ACCESSORY](#) (PDF, English)
- [AMERICAS\\_VERSION\\_SOLARLOK\\_INSTALLATION\\_MANUAL\\_2-1773...](#) (PDF, English)
- [CONNECTIVITY\\_SYSTEMS\\_FOR\\_PV\\_INSTALLERS\\_3-1773458-6](#) (PDF, English)
- [SOLARLOK\\_CONNECTIVITY\\_SYSTEMS\\_FOR\\_PV\\_MANUFACTURERS\\_3...](#) (PDF, English)

**Product Specifications:**

- None Available

**Application Specifications:**

- [SOLARLOK Locking Collar](#) (PDF, English)

**Instruction Sheets:**

- [SOLARLOK Locking Collar 2106207-1](#) (PDF, English)

**CAD Files:**

- None Available

**Related Products:**

- [Tooling](#)

[List all Documents](#)

### Product Features (Please use the Product Drawing for all design activity)

**Product Type Features:**

- Product Type = Accessory
- [Accessory Type](#) = Connector Latch Locking Collar
- Type of Connector = Cable Coupler

**Industry Standards:**

- [RoHS/ELV Compliance](#) = RoHS compliant, ELV compliant
- [Lead Free Solder Processes](#) = Reflow solder capable to 245°C, Reflow solder capable to 260°C
- [RoHS/ELV Compliance History](#) = Always was RoHS compliant

**Packaging Features:**

- Packaging Quantity = 100

**Other:**

- Brand = TE Connectivity
- Comment = Locks mated male and female couplers together.

### Corporate Information

- [About TE](#)
- [Investors](#)
- [News Room](#)
- [Supplier Portal](#)
- [Careers](#)
- [Terms & Conditions](#)
- [Privacy Policy](#)

### Quick Links

- [Distributor Inventory](#)
- [Product Cross Reference](#)
- [Documents & Drawings](#)
- [Product Compliance Support Center](#)
- [Site Map](#)

### Customer Support

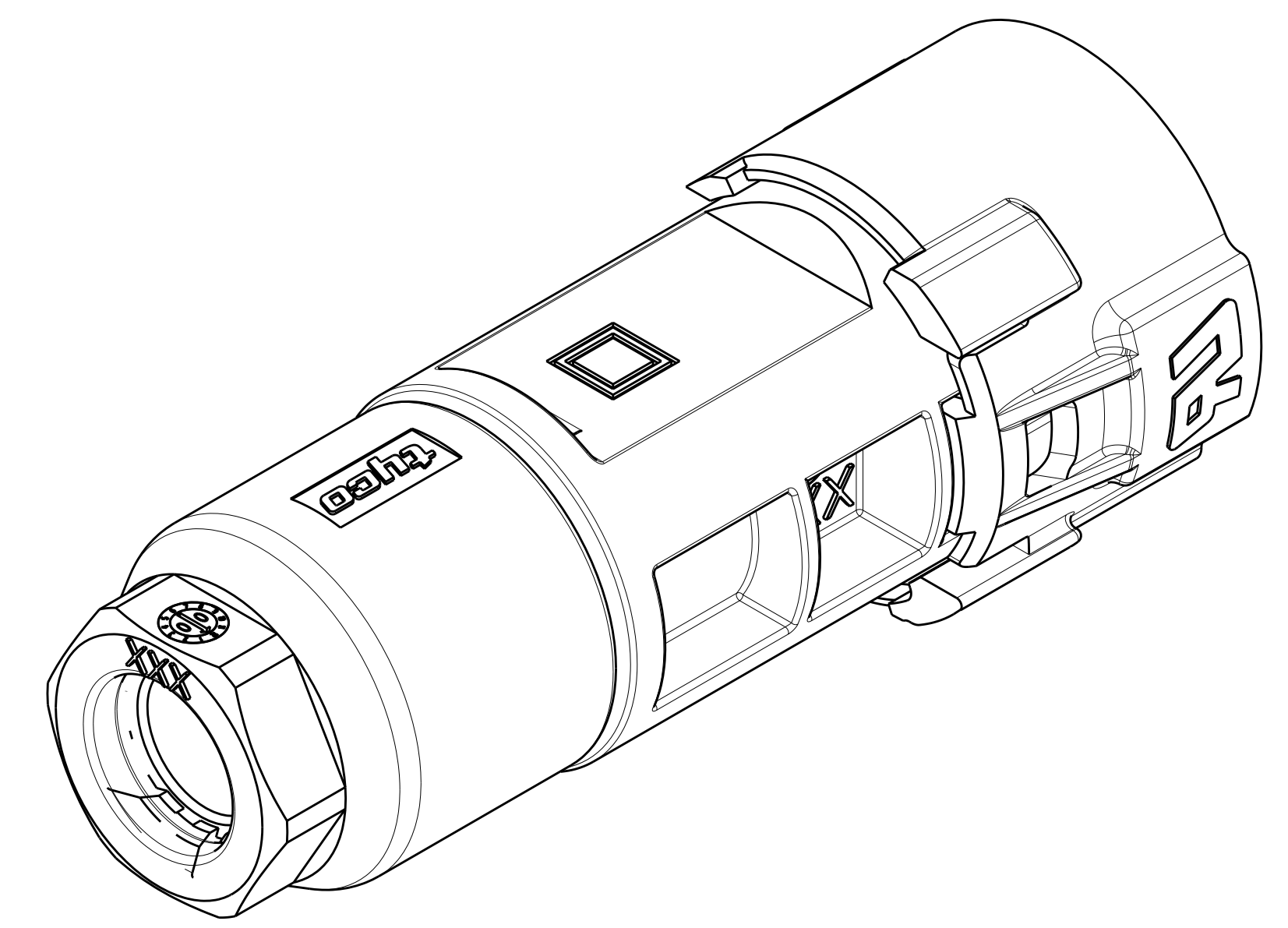
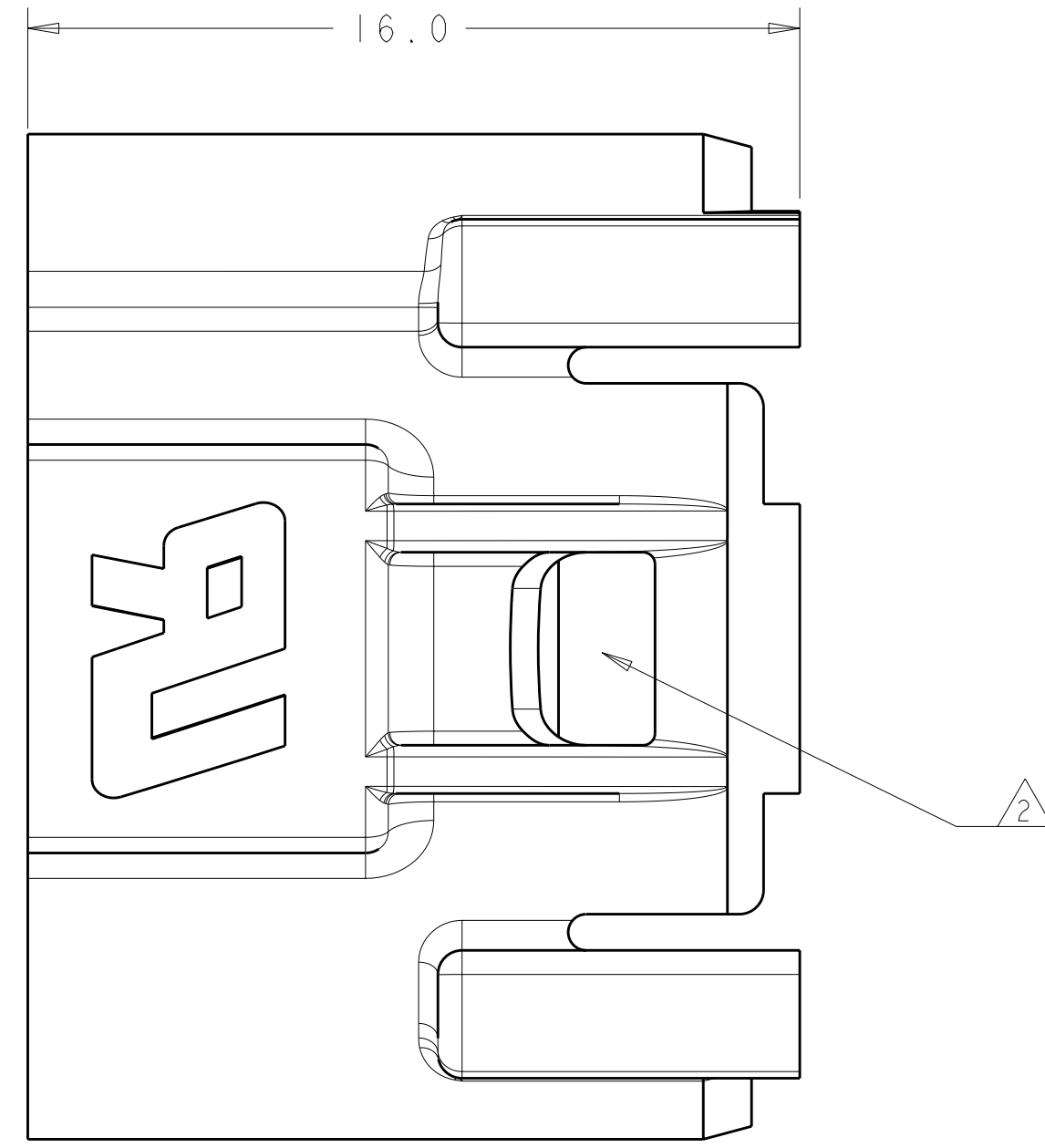
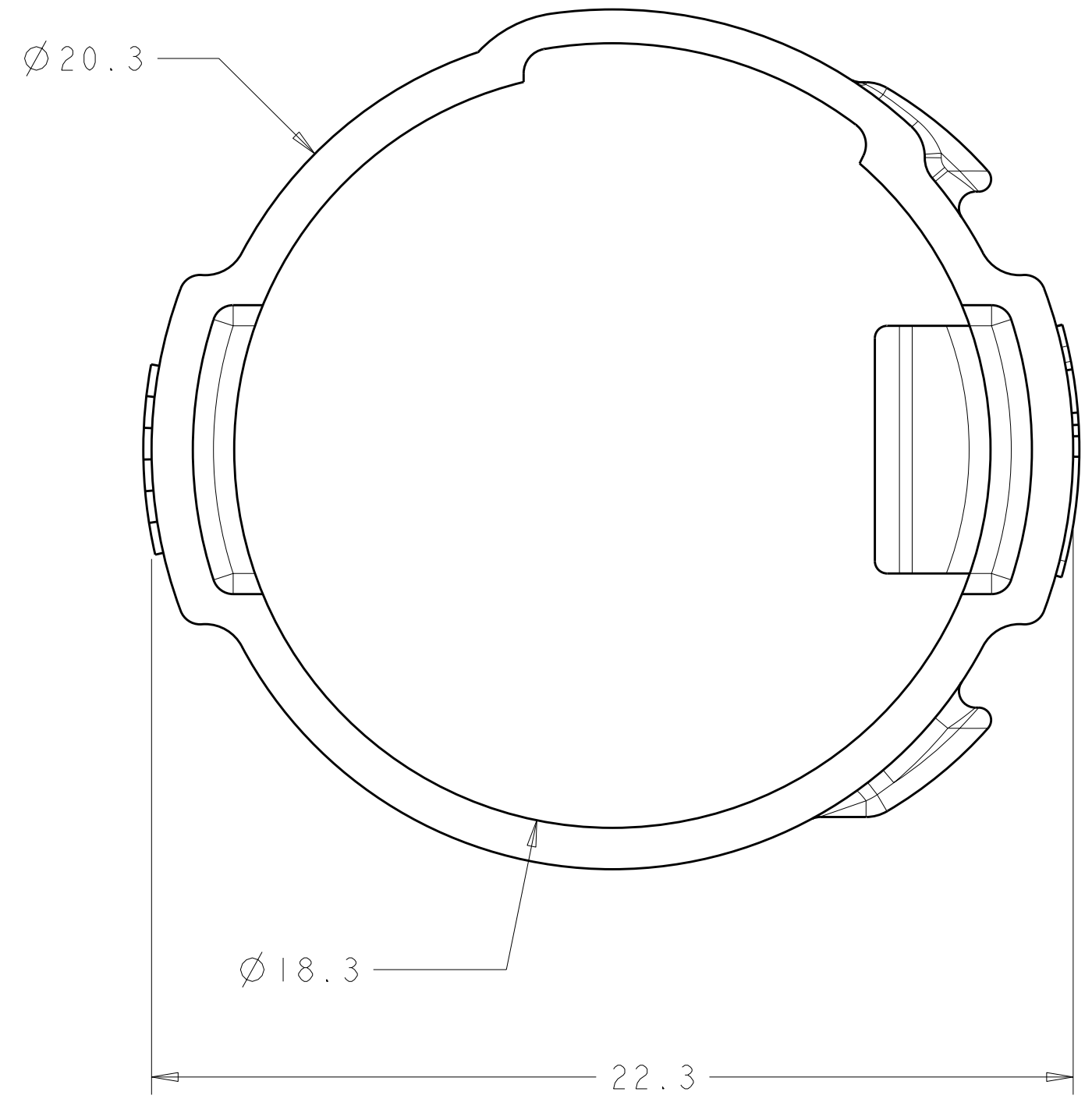
- [Email or Chat With Us](#)
- [Find a Phone Number](#)
- [Knowledge Base](#)
- [Manage Your Account](#)

### Keep Me Informed

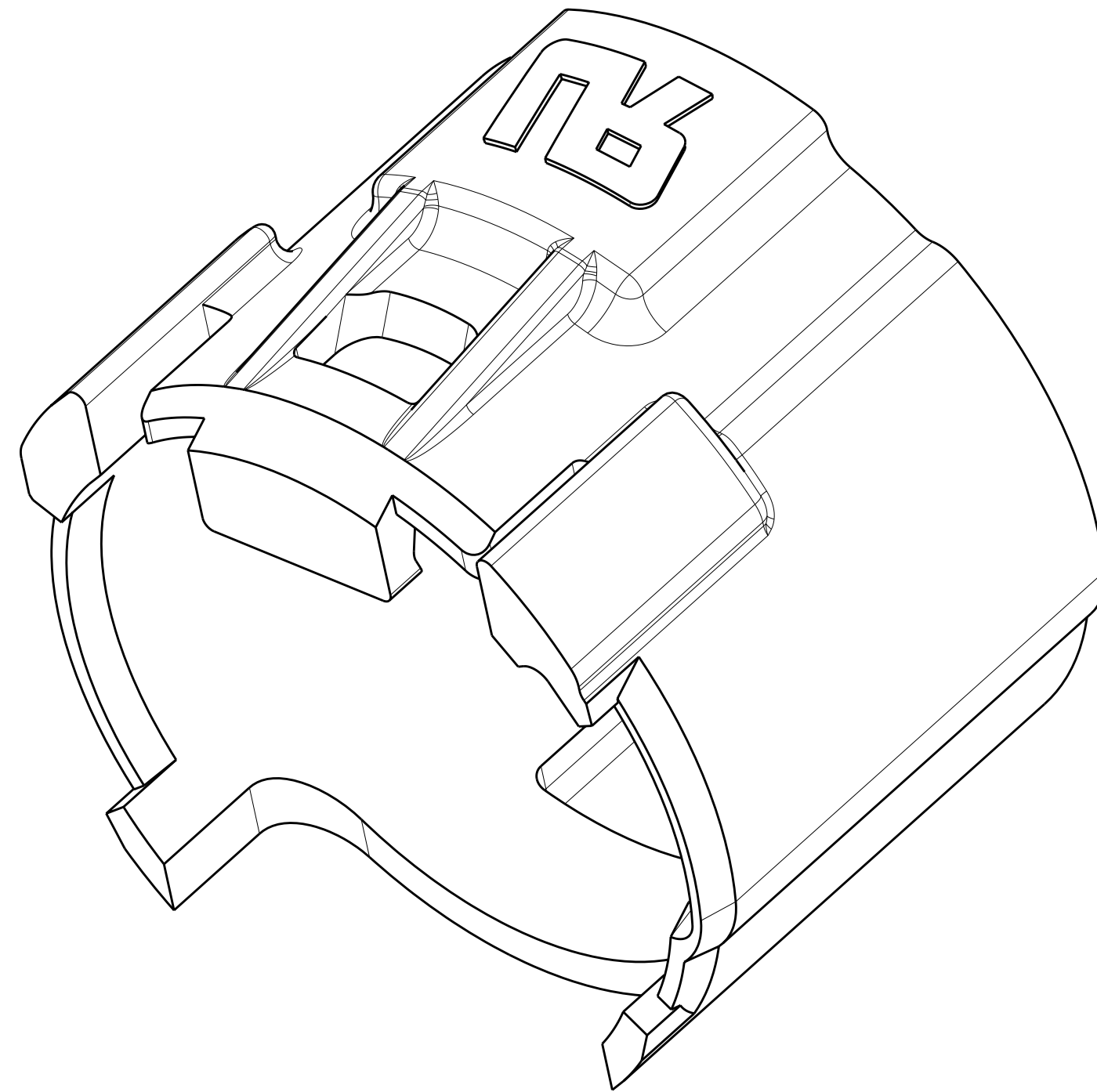
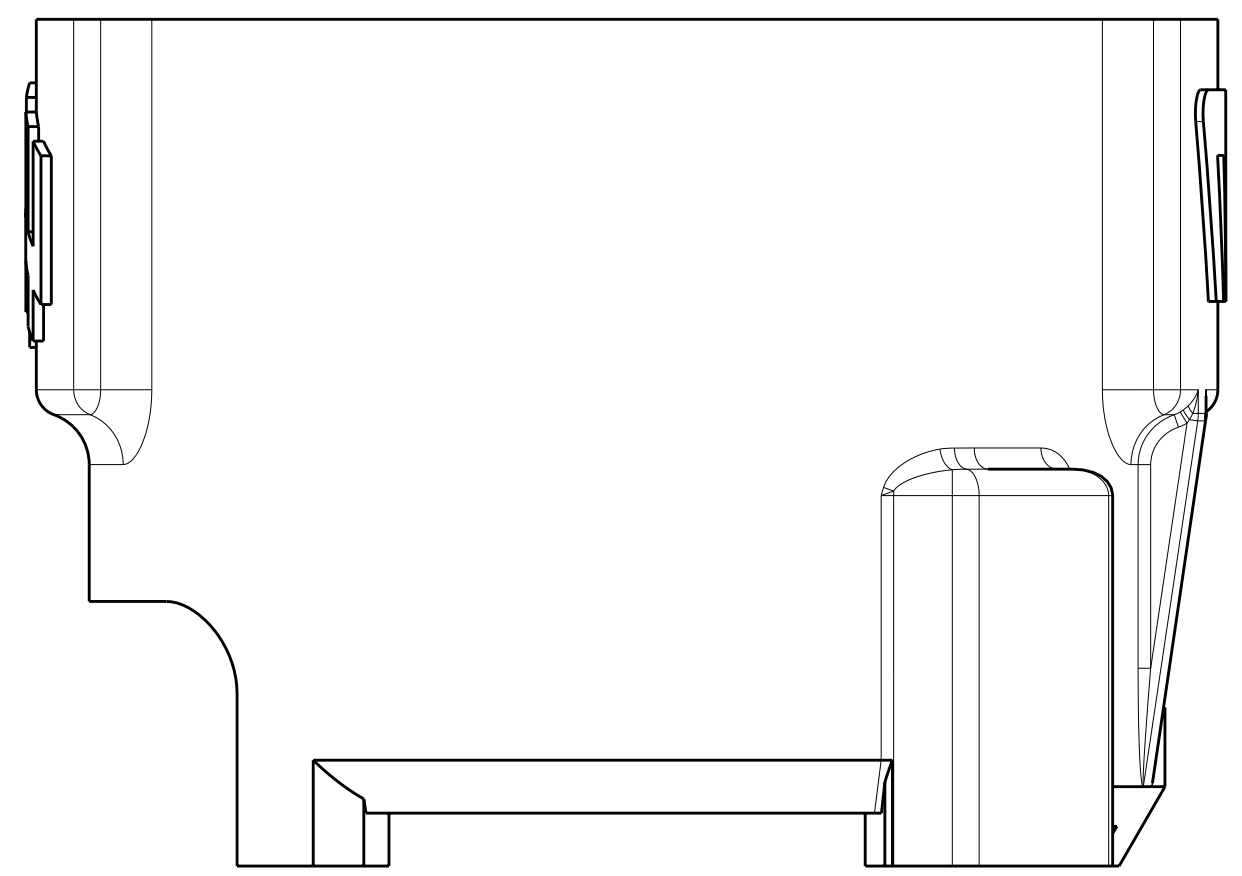


LOC	DIST	REVISIONS			
		REV	DATE	BY	APP'D
		A	08SEP2009	SS	MS
		B	23SEP2010	KT	JE
		C	27SEP2010	KT	JE

1. MATERIAL: POLYCARBONATE, UL 94, UV PROTECTED, BLACK  
 ⚠ FOR INSTALLATION AND EXTRACTION SOLARLOK CONNECTORS  
 FLAT BLADE SCREWDRIVER TIP WIDTH MUST NOT EXCEED 3.75.



SCALE 4:1



<small>THIS DRAWING IS UNPUBLISHED. RELEASED FOR PUBLICATION BY TYCO ELECTRONICS CORPORATION. ALL RIGHTS RESERVED. THIS IS SUBJECT TO CHANGE WITHOUT NOTICE AND WITHOUT OBLIGATION. SHOULD BE CONTACTED FOR THE LATEST REVISION.</small>		DWN PDR 06724709 CHK PDR 06724709 APVD PDR 06724709	Tyco Electronics Harrisburg, PA 17105-3608
DIMENSIONS: mm 	TOLERANCES UNLESS OTHERWISE SPECIFIED: 0 PLC ± 1 PLC ±0.2 2 PLC ±0.13 3 PLC ± 4 PLC ± ANGLES ± FINISH -	PRODUCT SPEC APPLICATION SPEC WEIGHT CUSTOMER DRAWING	NAME SOLARLOK LOCKING COLLAR SIZE CAGE CODE DRAWING NO A100779C=2106207 SCALE 4:1 SHEET 1 OF 1 REV C