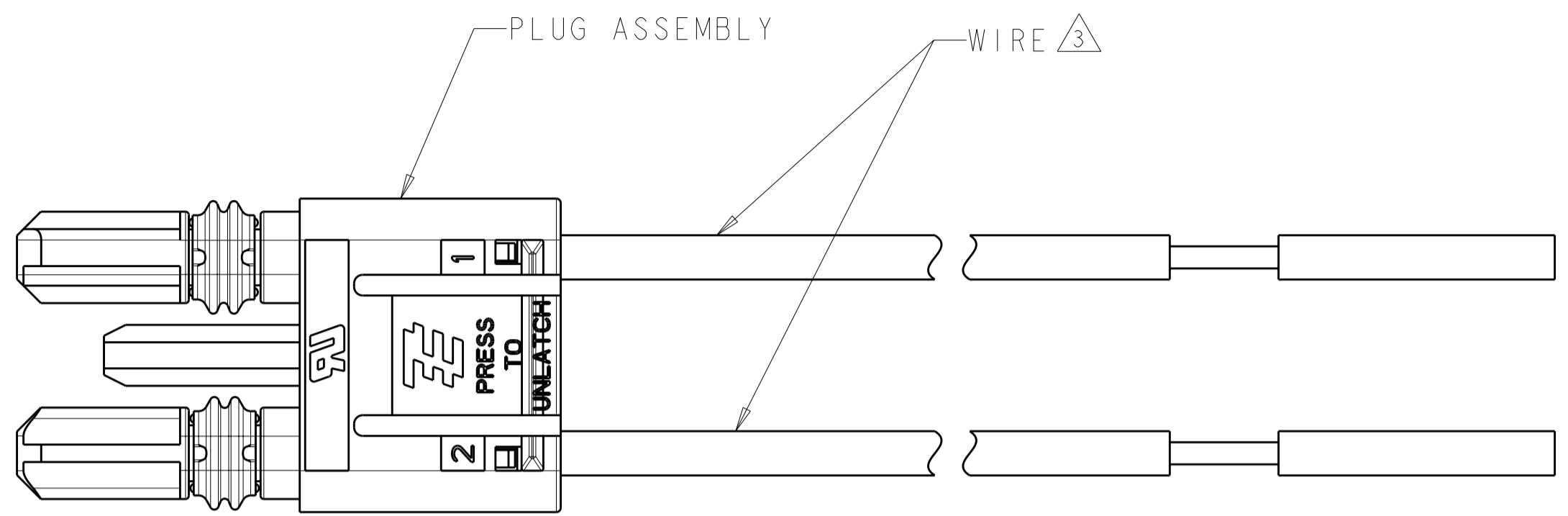
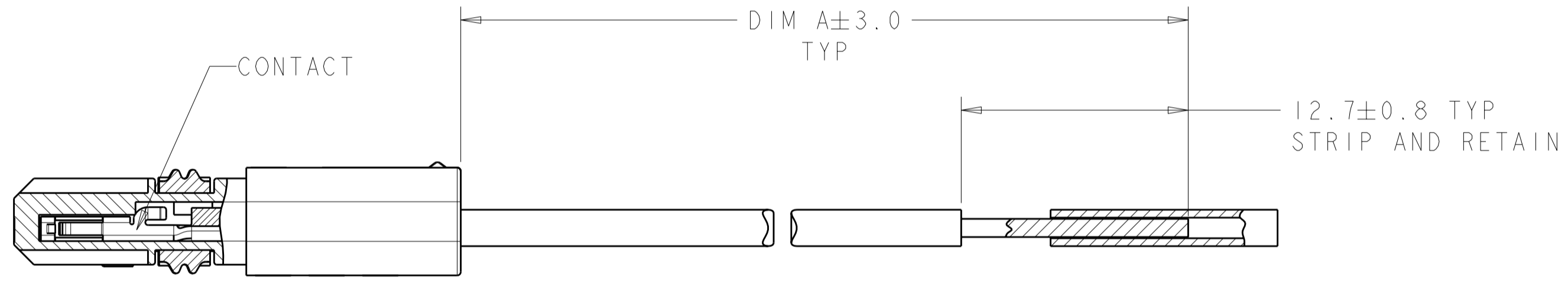


THIS DRAWING IS UNPUBLISHED. RELEASED FOR PUBLICATION 20
 © COPYRIGHT 20 BY - ALL RIGHTS RESERVED.

LOC	DIST	REVISIONS					
GP	00	P	LTR	DESCRIPTION	DATE	DWN	APVD
		B		REVISED PER ECO-11-006746	04/APR/11	ECC	PJB
		C		REVISED PER ECR-11-013082	23/JUN/11	ECC	PJB



- △ MATERIALS AND FINISH:
 -CONTACTS: COPPER ALLOY
 FINISH: TIN IN CONTACT AREA OVER NICKEL UNDERPLATE
 -WIRE: 18 AWG, STRANDED, UL 1007 STYLE
- 2. MUST COMPLY WITH DIRECTIVE 2002/95/EC (ROHS)
- △ REFERENCE CHART FOR SPECIFIC WIRE COLOR/POSITION.
- △ CONTACTS 0.000381 THK GOLD STRIPE PRE-PLATED STOCK, REF.



2106378-2 SHOWN

△	DIM A	WIRE SIZE	POSN	PART NO.
△	304.8	20 AWG	4	3-2106378-3
△	304.8	20 AWG	2	3-2106378-1
△	101.6	20 AWG	2	2-2106378-8
	381.0	18 AWG	2	2-2106378-6
	304.8	24 AWG	4	2-2106378-5
	304.8	24 AWG	3	2-2106378-4
	304.8	24 AWG	2	2-2106378-3
	101.6	24 AWG	4	2-2106378-2
	101.6	24 AWG	3	2-2106378-1
	101.6	24 AWG	2	2-2106378-0
	304.8	22 AWG	4	1-2106378-9
	304.8	22 AWG	3	1-2106378-8
	304.8	22 AWG	2	1-2106378-7
	101.6	22 AWG	4	1-2106378-6
	101.6	22 AWG	3	1-2106378-5
	101.6	22 AWG	2	1-2106378-4
	304.8	20 AWG	4	1-2106378-3
	304.8	20 AWG	3	1-2106378-2
	304.8	20 AWG	2	1-2106378-1
	101.6	20 AWG	4	1-2106378-0
	101.6	20 AWG	3	2106378-9
	101.6	20 AWG	2	2106378-8
	304.8	18 AWG	4	2106378-7
	304.8	18 AWG	3	2106378-6
	304.8	18 AWG	2	2106378-5
	101.6	18 AWG	4	2106378-4
	101.6	18 AWG	3	2106378-3
	101.6	18 AWG	2	2106378-2

WIRE COLOR CHART

4	-	-	BLUE	-	-	BLUE	-	-	BLUE	-	-	BLUE	-	-	BLUE	-	-	BLUE	-	-	BLUE	-	-	BLUE	-
3	-	WHITE	WHITE	-	WHITE	WHITE	-	WHITE	WHITE	-	WHITE	WHITE	-	WHITE	WHITE	-	WHITE	WHITE	-	WHITE	WHITE	-	WHITE	WHITE	-
2	RED	RED	RED	RED	RED	RED	RED	RED	RED	RED	RED	RED	RED	RED	RED	RED	RED	RED	RED	RED	RED	RED	RED	RED	BLACK
1	BLACK	BLACK	BLACK	BLACK	BLACK	BLACK	BLACK	BLACK	BLACK	BLACK	BLACK	BLACK	BLACK	BLACK	BLACK	BLACK	BLACK	BLACK	BLACK	BLACK	BLACK	BLACK	BLACK	BLACK	RED
POS	-2	-3	-4	-5	-6	-7	-8	-9	-10	-11	-12	-13	-14	-15	-16	-17	-18	-19	-20	-21	-22	-23	-24	-25	-26

4	-	-	-	-	-	-	BLUE
3	-	-	-	-	-	-	WHITE
2	-	RED	-	-	RED	-	RED
1	-	BLACK	-	-	BLACK	-	BLACK
POS	-27	-28	-29	-30	-31	-32	-33

THIS DRAWING IS A CONTROLLED DOCUMENT. DWN R. BROWN 16APR2009
 CHK M. MOSTOLLER 16APR2009
 APVD -

DIMENSIONS: mm TOLERANCES UNLESS OTHERWISE SPECIFIED:
 0 PLC ±-
 1 PLC ±0.2
 2 PLC ±-
 3 PLC ±-
 4 PLC ±-
 ANGLES ±-
 MATERIAL FINISH

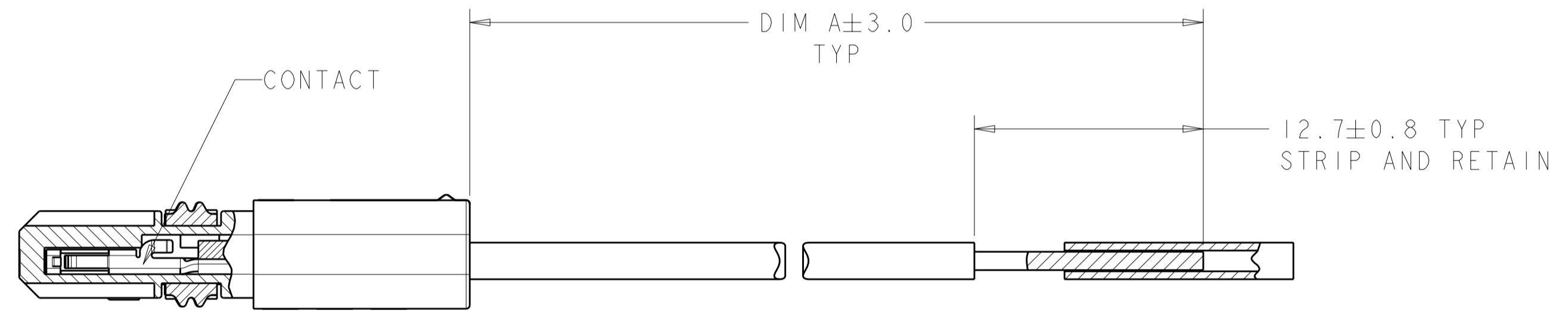
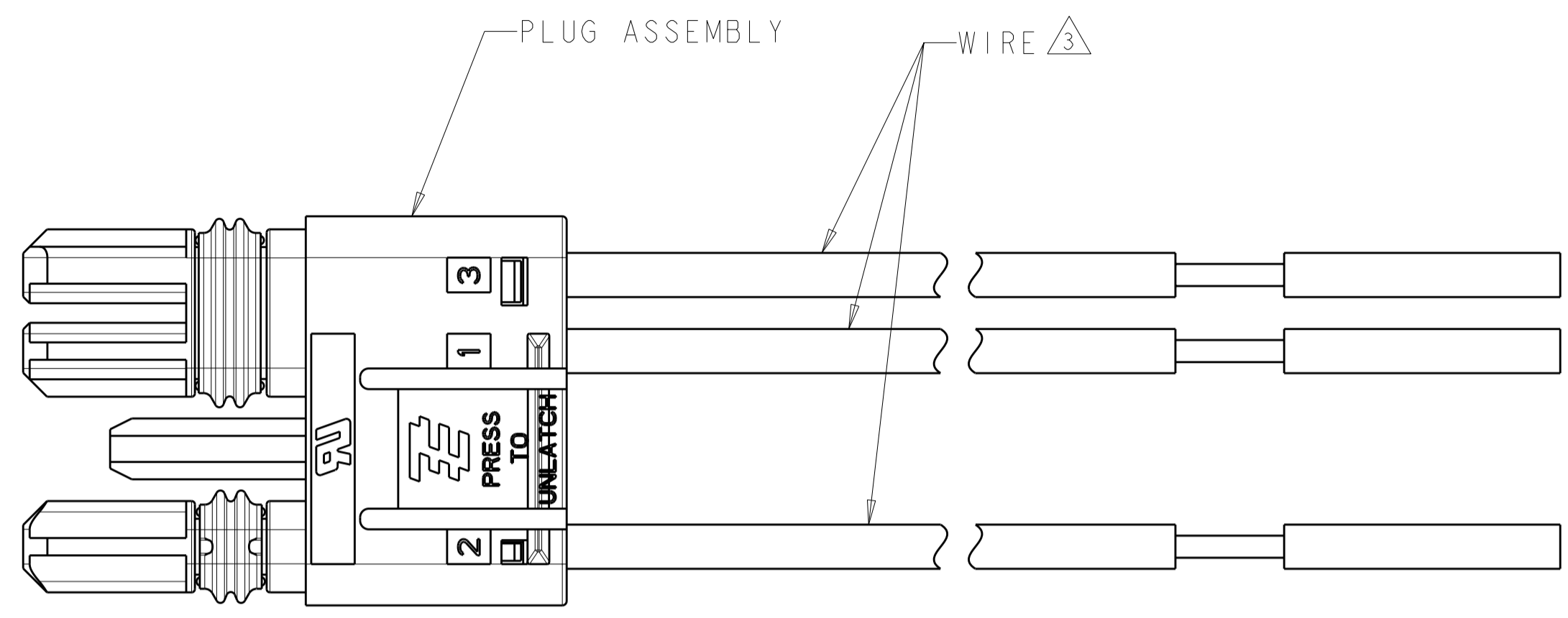
PRODUCT SPEC -
 APPLICATION SPEC -
 WEIGHT -

STE TE Connectivity
 CABLE ASSEMBLY, PLUG, SLIMSEAL SSL CONNECTOR

SIZE A2 CAGE CODE 00779 DRAWING NO. C-2106378 RESTRICTED TO -
 CUSTOMER DRAWING SCALE 4:1 SHEET 1 OF 3 REV C

THIS DRAWING IS UNPUBLISHED. RELEASED FOR PUBLICATION 20
 © COPYRIGHT 20 BY - ALL RIGHTS RESERVED.

LOC	DIST	REVISIONS				
P	LTR	DESCRIPTION	DATE	DWN	APVD	
GP	00	-	SEE SHEET 1	-	-	

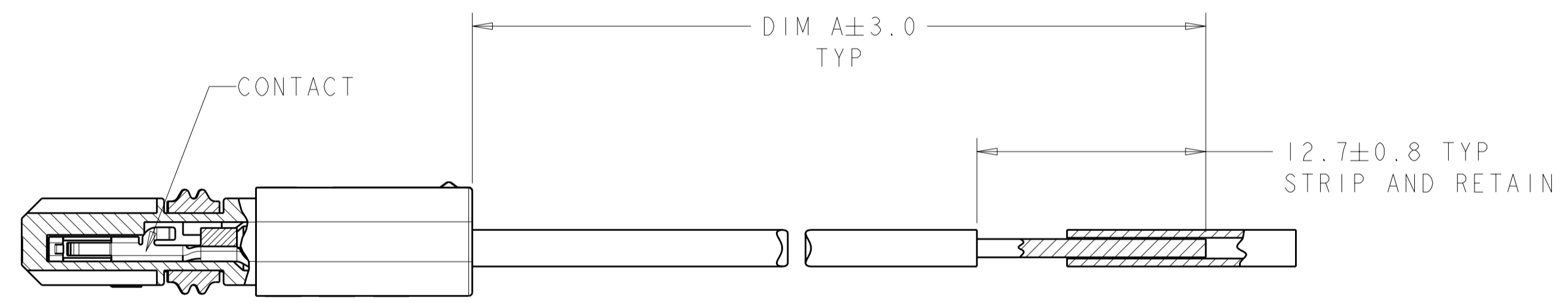
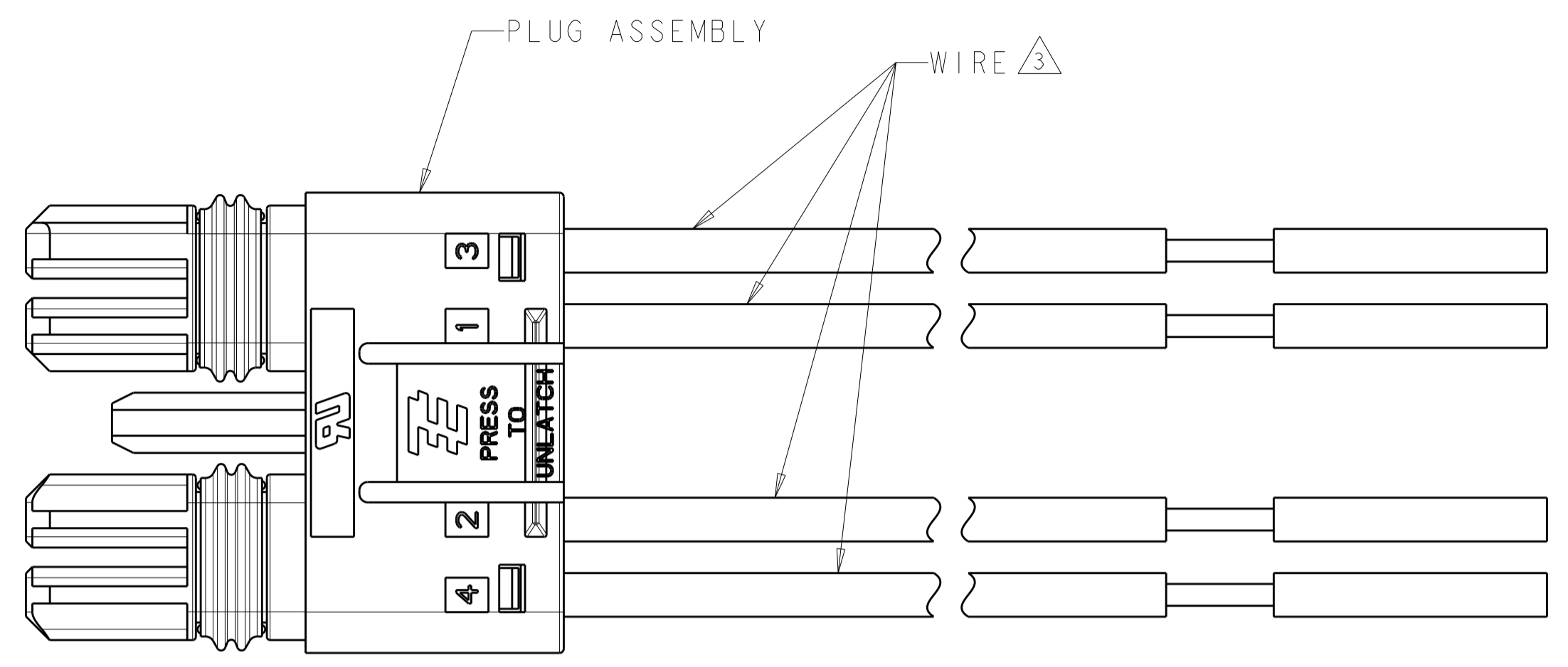


2106378-3 SHOWN

THIS DRAWING IS A CONTROLLED DOCUMENT.		DWN R. BROWN CHK M. MOSTOLLER APVD -	16APR2009 16APR2009 -	TE Connectivity NAME CABLE ASSEMBLY, PLUG, SLIMSEAL SSL CONNECTOR	
DIMENSIONS: mm 		TOLERANCES UNLESS OTHERWISE SPECIFIED: 0 PLC ±- 1 PLC ±0.2 2 PLC ±- 3 PLC ±- 4 PLC ±- ANGLES ±- FINISH ±-			
MATERIAL		-		SIZE A200779	CAGE CODE C-2106378
		SCALE 4:1		SHEET 2 OF 3	REV C

THIS DRAWING IS UNPUBLISHED. RELEASED FOR PUBLICATION 20
 © COPYRIGHT 20 BY - ALL RIGHTS RESERVED.

LOC	DIST	REVISIONS					
GP	00	P	LTR	DESCRIPTION	DATE	DWN	APVD
		-		SEE SHEET 1			



2106378-4 SHOWN

THIS DRAWING IS A CONTROLLED DOCUMENT.		DWN R. BROWN 16APR2009	TE Connectivity NAME CABLE ASSEMBLY, PLUG, SLIMSEAL SSL CONNECTOR	
DIMENSIONS: mm		CHK M. MOSTOLLER 16APR2009		
TOLERANCES UNLESS OTHERWISE SPECIFIED:		APVD -	PRODUCT SPEC -	
0 PLC ±- 1 PLC ±0.2 2 PLC ±- 3 PLC ±- 4 PLC ±- ANGLES ±- FINISH		APPLICATION SPEC -		RESTRICTED TO -
MATERIAL -		WEIGHT -	SIZE A200779	DRAWING NO C-2106378
		CUSTOMER DRAWING		SCALE 4:1 SHEET 3 OF 3 REV C