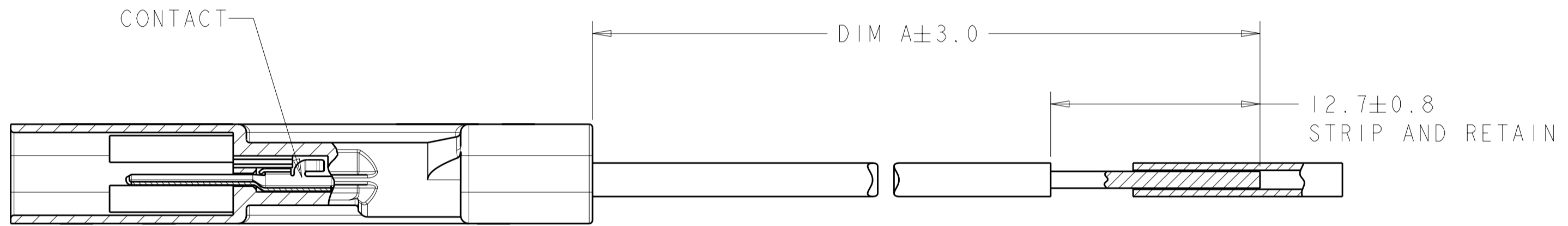
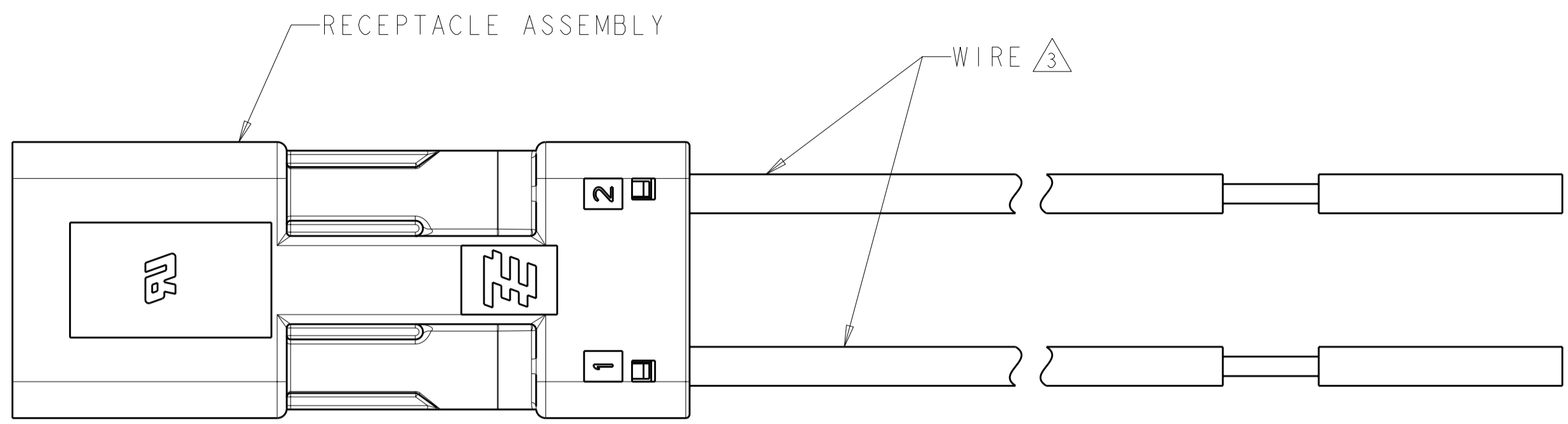


THIS DRAWING IS UNPUBLISHED. RELEASED FOR PUBLICATION 20
 © COPYRIGHT 20 BY - ALL RIGHTS RESERVED.

LOC	DIST	REVISIONS					
GP	00	P	LTR	DESCRIPTION	DATE	DWN	APVD
		B		REVISED PER ECO-11-006746	04/APR/11	ECC	PJB



2106391-2 SHOWN

4	-	-	BLUE	-	-	BLUE	-	-	BLUE	-	-	BLUE	-	-	BLUE	-	-	BLUE	-	-	BLUE	-	-	BLUE	-
3	-	WHITE	WHITE	-	WHITE	WHITE	-	WHITE	WHITE	-	WHITE	WHITE	-	WHITE	WHITE	-	WHITE	WHITE	-	WHITE	WHITE	-	WHITE	WHITE	-
2	RED	RED	RED	RED	RED	RED	RED	RED	RED	RED	RED	RED	RED	RED	RED	RED	RED	RED	RED	RED	RED	RED	RED	RED	RED
1	BLACK	BLACK	BLACK	BLACK	BLACK	BLACK	BLACK	BLACK	BLACK	BLACK	BLACK	BLACK	BLACK	BLACK	BLACK	BLACK	BLACK	BLACK	BLACK	BLACK	BLACK	BLACK	BLACK	BLACK	BLACK
POS	-2	-3	-4	-5	-6	-7	-8	-9	-10	-11	-12	-13	-14	-15	-16	-17	-18	-19	-20	-21	-22	-23	-24	-25	-26

WIRE COLOR CHART

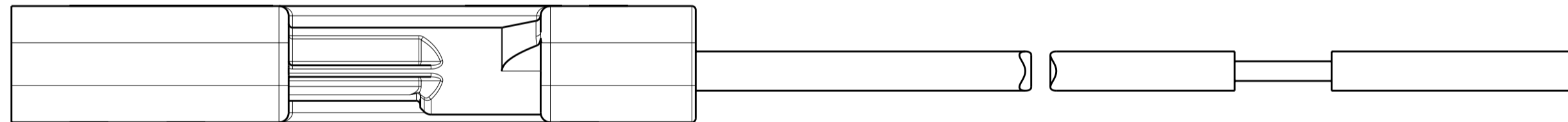
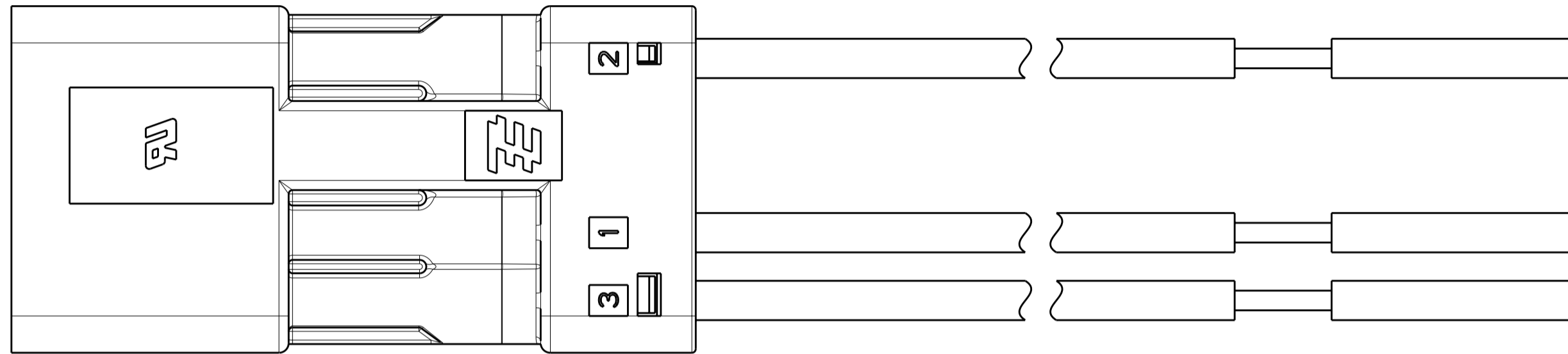
- ① MATERIALS AND FINISH:
 -CONTACTS: COPPER ALLOY
 FINISH: TIN IN CONTACT AREA OVER NICKEL UNDERPLATE
 -WIRE: 18 AWG, STRANDED, UL 1007 STYLE
- 2. MUST COMPLY WITH DIRECTIVE 2002/95/EC (ROHS)
- ③ REFERENCE CHART FOR SPECIFIC WIRE COLOR/POSITION


381.0	18 AWG	2	2-2106391-6
304.8	24 AWG	4	2-2106391-5
304.8	24 AWG	3	2-2106391-4
304.8	24 AWG	2	2-2106391-3
101.6	24 AWG	4	2-2106391-2
101.6	24 AWG	3	2-2106391-1
101.6	24 AWG	2	2-2106391-0
304.8	22 AWG	4	1-2106391-9
304.8	22 AWG	3	1-2106391-8
304.8	22 AWG	2	1-2106391-7
101.6	22 AWG	4	1-2106391-6
101.6	22 AWG	3	1-2106391-5
101.6	22 AWG	2	1-2106391-4
304.8	20 AWG	4	1-2106391-3
304.8	20 AWG	3	1-2106391-2
304.8	20 AWG	2	1-2106391-1
101.6	20 AWG	4	1-2106391-0
101.6	20 AWG	3	2106391-9
101.6	20 AWG	2	2106391-8
304.8	18 AWG	4	2106391-7
304.8	18 AWG	3	2106391-6
304.8	18 AWG	2	2106391-5
101.6	18 AWG	4	2106391-4
101.6	18 AWG	3	2106391-3
101.6	18 AWG	2	2106391-2
DIM A	WIRE SIZE	POSN	PART NO.


THIS DRAWING IS A CONTROLLED DOCUMENT.		DWN R. BROWN 20APR2009	TE Connectivity	
DIMENSIONS: mm		CHK M. MOSTOLLER 20APR2009		
TOLERANCES UNLESS OTHERWISE SPECIFIED:		APVD -	NAME CABLE ASSEMBLY, RECEPTACLE, SLIMSEAL SSL CONNECTOR	
0 PLC ± 1 PLC ±0.2 2 PLC ± 3 PLC ± 4 PLC ± ANGLES ± FINISH		PRODUCT SPEC -	SIZE A2	
MATERIAL -		APPLICATION SPEC -	CAGE CODE 00779	
		WEIGHT -	DRAWING NO 2106391	
		CUSTOMER DRAWING	RESTRICTED TO -	
		SCALE 4:1	SHEET 1 OF 3	
			REV B	

THIS DRAWING IS UNPUBLISHED. RELEASED FOR PUBLICATION 20
 © COPYRIGHT 20 BY - ALL RIGHTS RESERVED.

LOC	DIST	REVISIONS					
GP	00	P	LTR	DESCRIPTION	DATE	DWN	APVD
		-		SEE SHEET 1			



2106391-3 SHOWN
 (SAME AS 2106391-2
 EXCEPT 3 POSITION) 

THIS DRAWING IS A CONTROLLED DOCUMENT.		DWN R. BROWN 20APR2009	 TE Connectivity	
DIMENSIONS: mm		CHK M. MOSTOLLER 20APR2009		
TOLERANCES UNLESS OTHERWISE SPECIFIED: 0 PLC ± 1 PLC ±0.2 2 PLC ± 3 PLC ± 4 PLC ± ANGLES ± FINISH		APVD -	NAME CABLE ASSEMBLY, RECEPTACLE, SLIMSEAL SSL CONNECTOR	
MATERIAL		PRODUCT SPEC -	RESTRICTED TO -	
		APPLICATION SPEC -	SIZE A200779	DRAWING NO. C-2106391
		WEIGHT -	SCALE 4:1 SHEET 2 OF 3 REV B	
		CUSTOMER DRAWING		

4

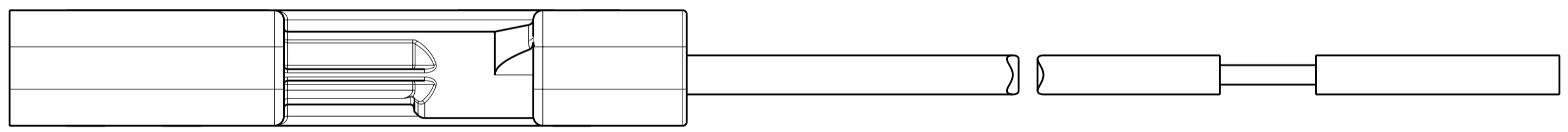
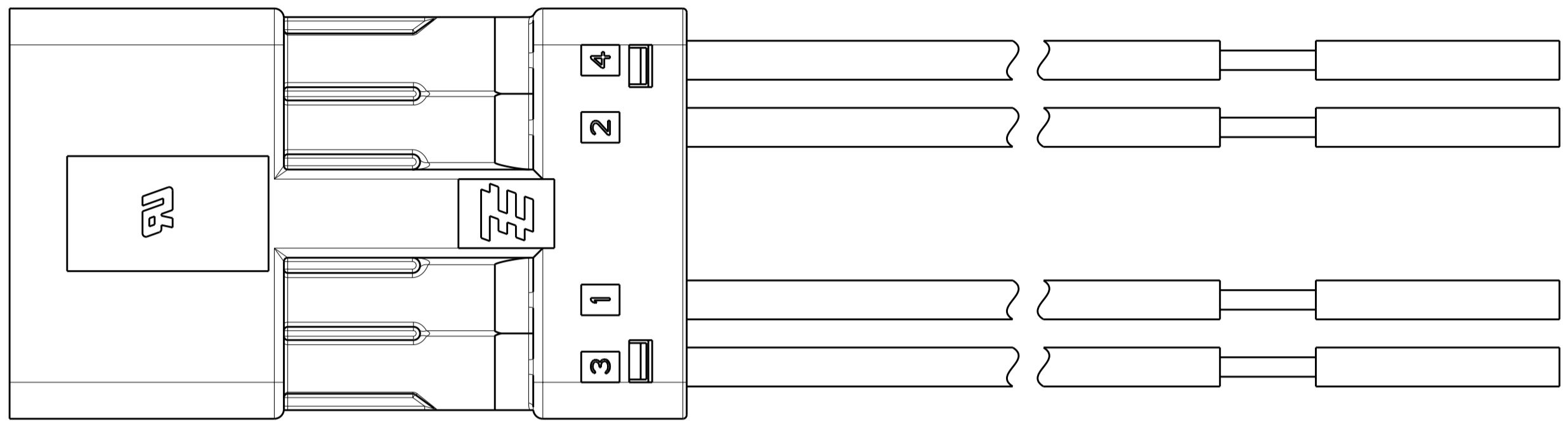
3


2


1

THIS DRAWING IS UNPUBLISHED. RELEASED FOR PUBLICATION 20
 © COPYRIGHT 20 BY - ALL RIGHTS RESERVED.

LOC	DIST	REVISIONS					
GP	00	P	LTR	DESCRIPTION	DATE	DWN	APVD
		-		SEE SHEET 1			



2106391-4 SHOWN
 (SAME AS 2106391-2
 EXCEPT 4 POSITION) 

THIS DRAWING IS A CONTROLLED DOCUMENT.		DWN R. BROWN 20APR2009	 TE Connectivity	
		CHK M. MOSTOLLER 20APR2009		
DIMENSIONS:	TOLERANCES UNLESS OTHERWISE SPECIFIED:	APVD -	NAME CABLE ASSEMBLY, RECEPTACLE, SLIMSEAL SSL CONNECTOR	
mm	0 PLC ± 1 PLC ±0.2 2 PLC ± 3 PLC ± 4 PLC ±	PRODUCT SPEC -	SIZE A200779	
	ANGLES ± FINISH	APPLICATION SPEC -	DRAWING NO C-2106391	RESTRICTED TO -
MATERIAL		WEIGHT -	SCALE 4:1 SHEET 3 OF 3 REV B	
		CUSTOMER DRAWING		