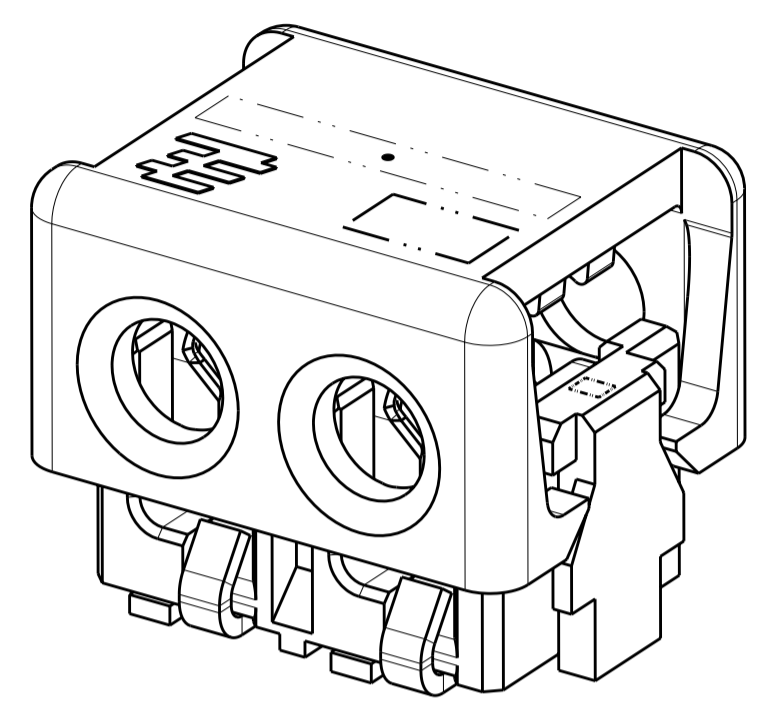
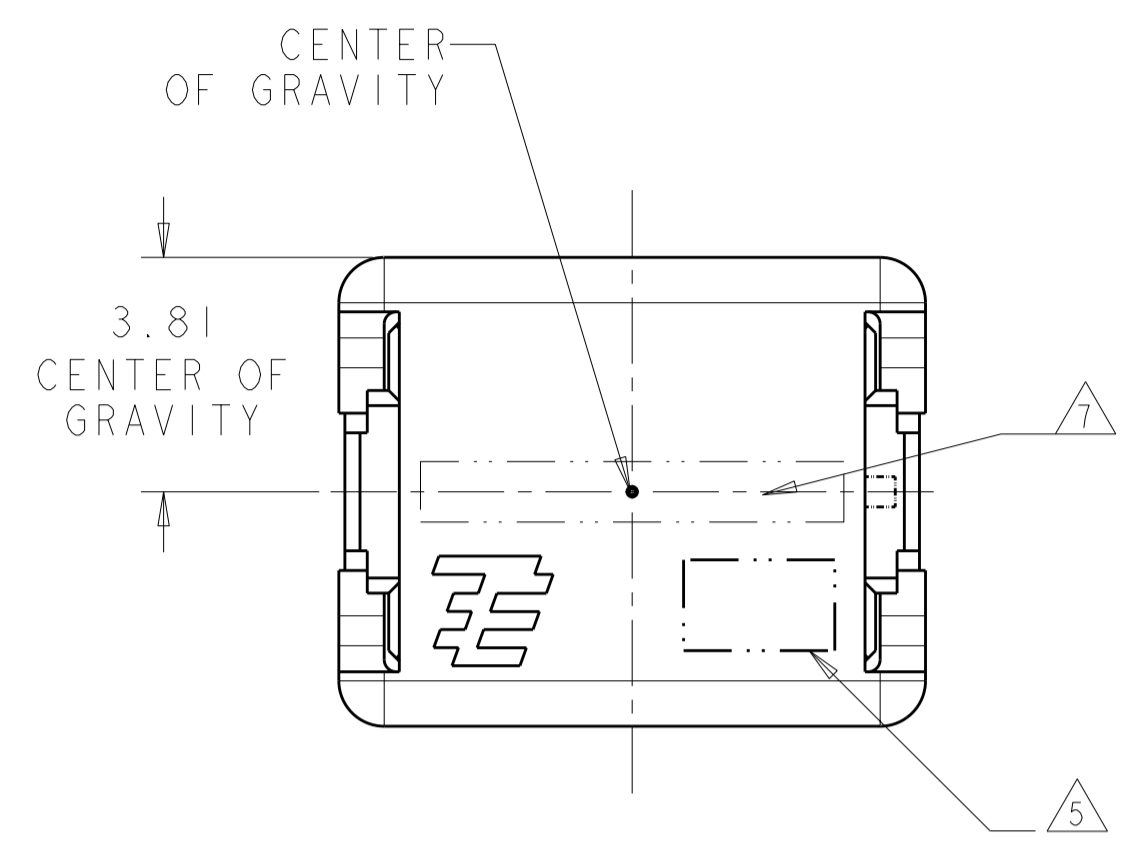


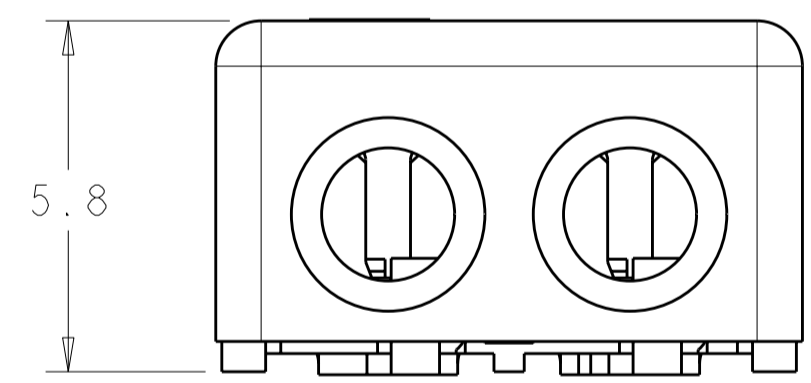
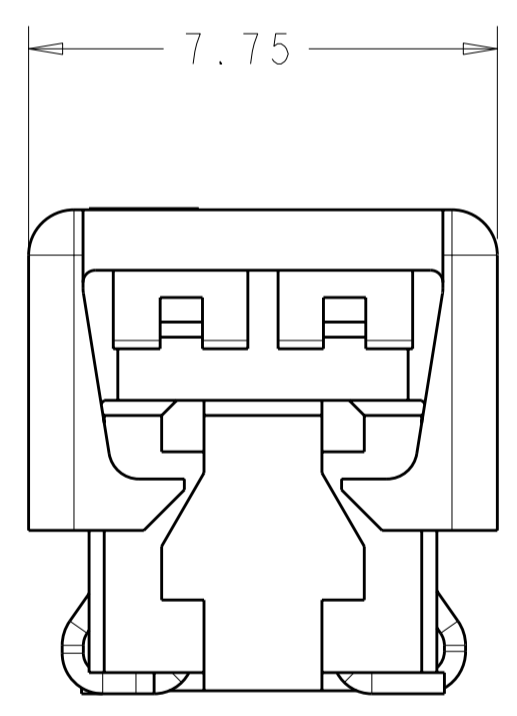
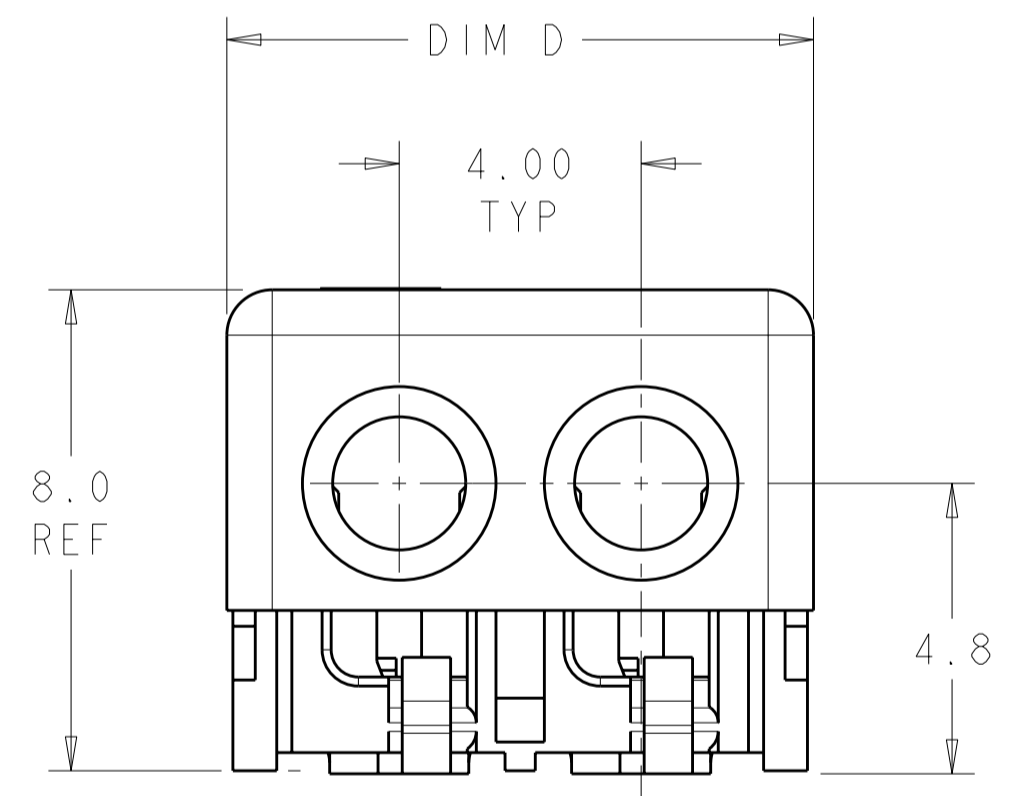
THIS DRAWING IS UNPUBLISHED. RELEASED FOR PUBLICATION 20
 © COPYRIGHT 20 BY - ALL RIGHTS RESERVED.

LOC	DIST	REVISIONS					
CM	00	P	LTR	DESCRIPTION	DATE	DWN	APVD
		A		REVISED PER ECR-1025509	15DEC2010	HMR	DD
		AI		REVISED PER ECR-12-003555	19APR2012	RS	DD



- △ MATERIALS AND FINISH:
 - HOUSING: LCP, COLOR: NATURAL
 - CONTACTS: COPPER ALLOY, FINISH: Sn OVER Ni
- 2. COMPLY WITH DIRECTIVE 2002/95/EC (ROHS).
- 3. 18-22AWG SOLID OR STRANDED WIRE, PRE-BONDED, 19 STRANDS OR LESS:
 - 18AWG MAX INSULATION OD: 2.20
 - 20AWG MAX INSULATION OD: 1.90
 - 22AWG MAX INSULATION OD: 1.70
 - 24AWG MAX INSULATION OD: 1.45
- 4. PACKAGE IN TAPE AND REEL PER EIA-481 SPECIFICATION, EXCEPT 1 POSITION CONNECTOR.

- △ WIRE SIZE MARKING IN APPROXIMATE LOCATION SHOWN.
- △ DATUMS AND BASIC DIMENSIONS ESTABLISHED BY CUSTOMER.
- △ COLOR CODE MARKING, STRAIGHT LINE.
- △ 1 POSITION ASSEMBLY DOES NOT COMPLY WITH EIA 481 SPECIFICATION.



2 POSITION SHOWN CLOSED
SCALE 8:1

2 POSITION SHOWN AS SHIPPED

RED	17.70	24 AWG	4	3-2106431-4
	13.70	24 AWG	3	3-2106431-3
	9.70	24 AWG	2	3-2106431-2
	5.70	24 AWG	1	△ 8 3-2106431-1
GREEN	17.70	22 AWG	4	2-2106431-4
	13.70	22 AWG	3	2-2106431-3
	9.70	22 AWG	2	2-2106431-2
	5.70	22 AWG	1	△ 8 2-2106431-1
BLUE	17.70	20 AWG	4	1-2106431-4
	13.70	20 AWG	3	1-2106431-3
	9.70	20 AWG	2	1-2106431-2
	5.70	20 AWG	1	△ 8 1-2106431-1
YELLOW	17.70	18 AWG	4	2106431-4
	13.70	18 AWG	3	2106431-3
	9.70	18 AWG	2	2106431-2
	5.70	18 AWG	1	△ 8 2106431-1
COLOR CODE	DIM D	WIRE SIZE	POSN	PART NUMBER

THIS DRAWING IS A CONTROLLED DOCUMENT. DWN C DAILY 09DEC2008
 CHK J DYER 09DEC2008
 APVD -

STE TE Connectivity

ASSEMBLY, IDC SSL CONNECTOR, SMT, PASS THRU

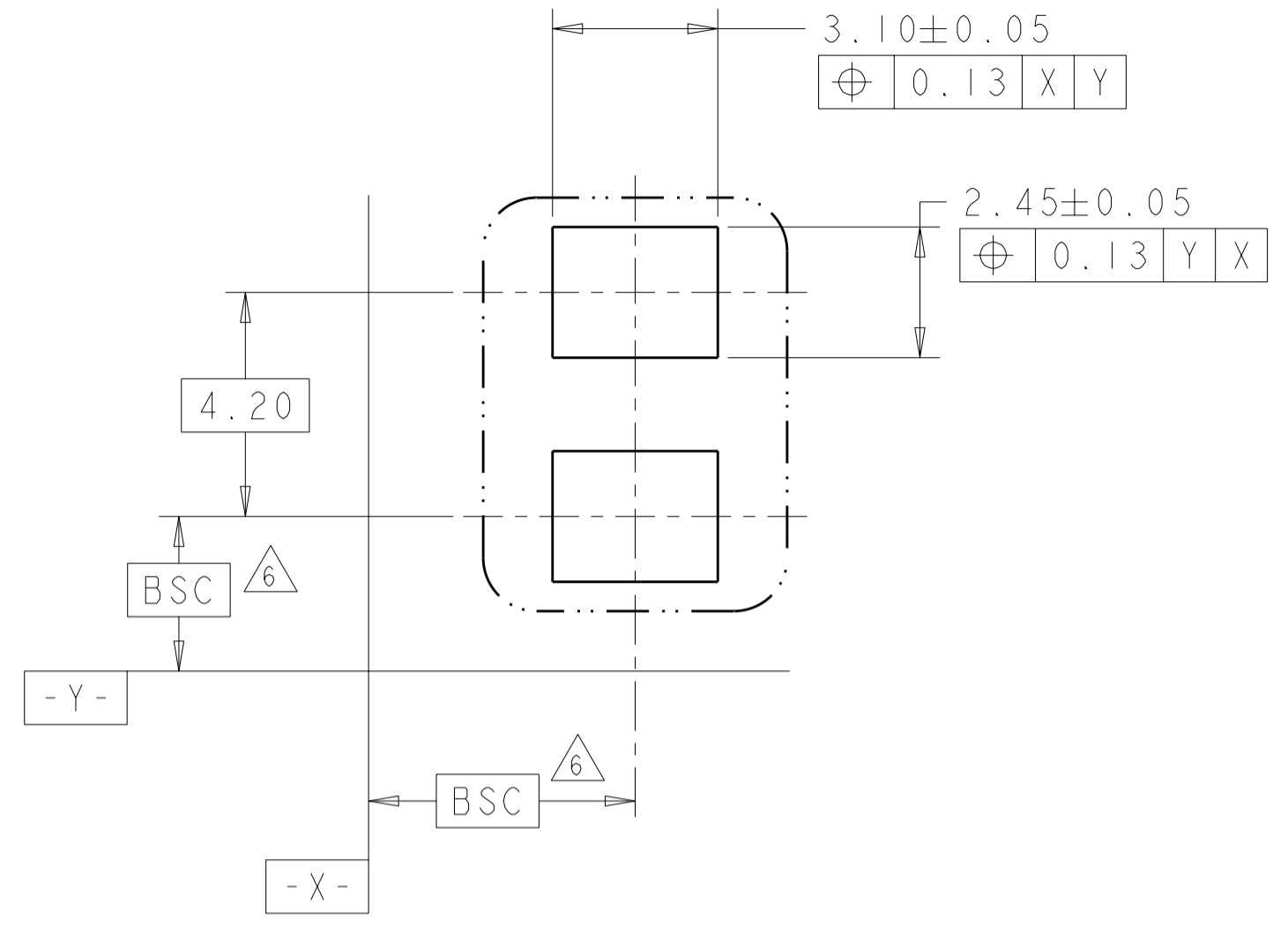
PRODUCT SPEC 108-2404
 APPLICATION SPEC 114-13266
 WEIGHT -

SIZE A2 CAGE CODE 00779 DRAWING NO C-2106431 RESTRICTED TO -
 SCALE 2:1 SHEET 1 OF 3 REV AI

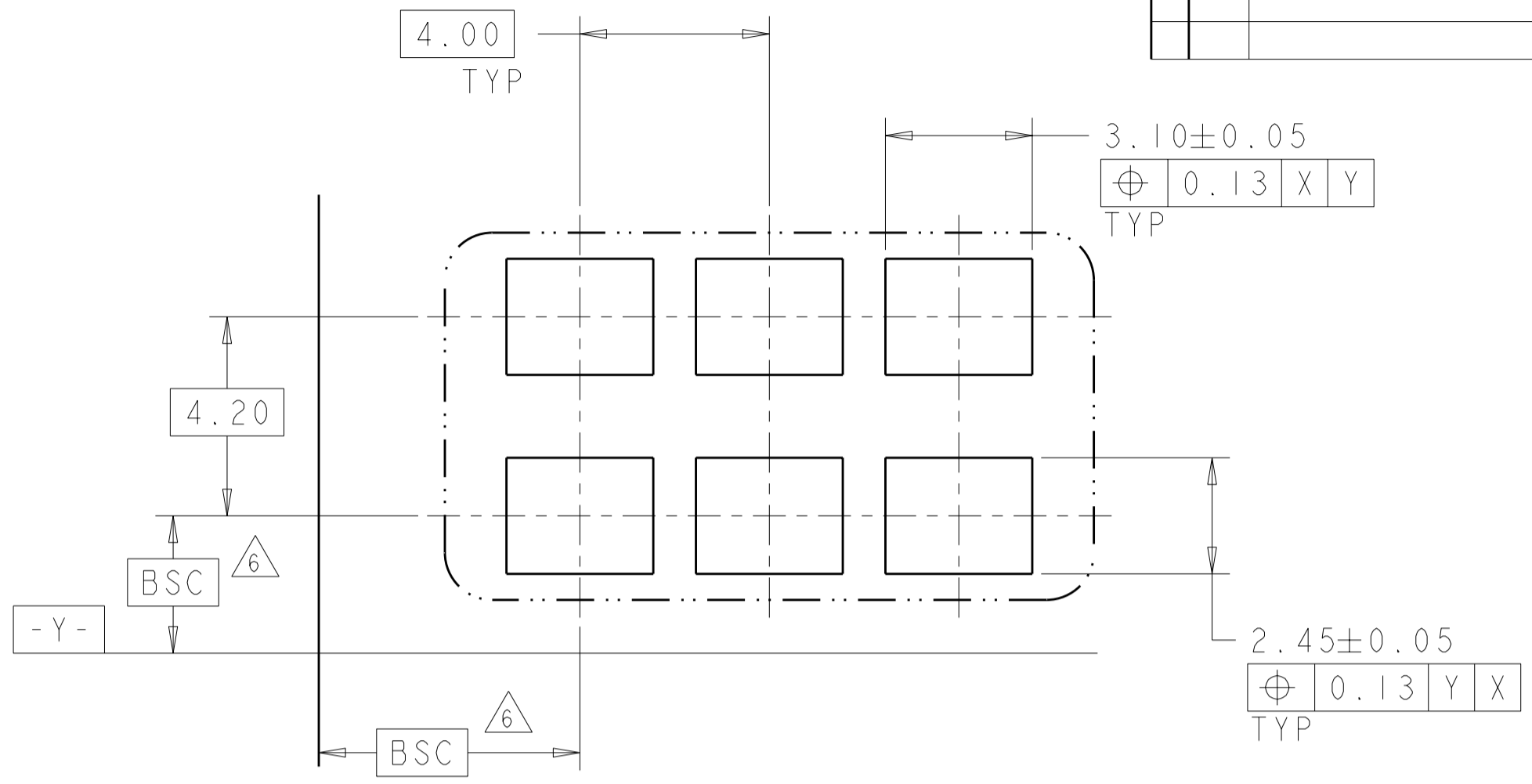
CUSTOMER DRAWING

THIS DRAWING IS UNPUBLISHED. RELEASED FOR PUBLICATION 20
 © COPYRIGHT 20 BY - ALL RIGHTS RESERVED.

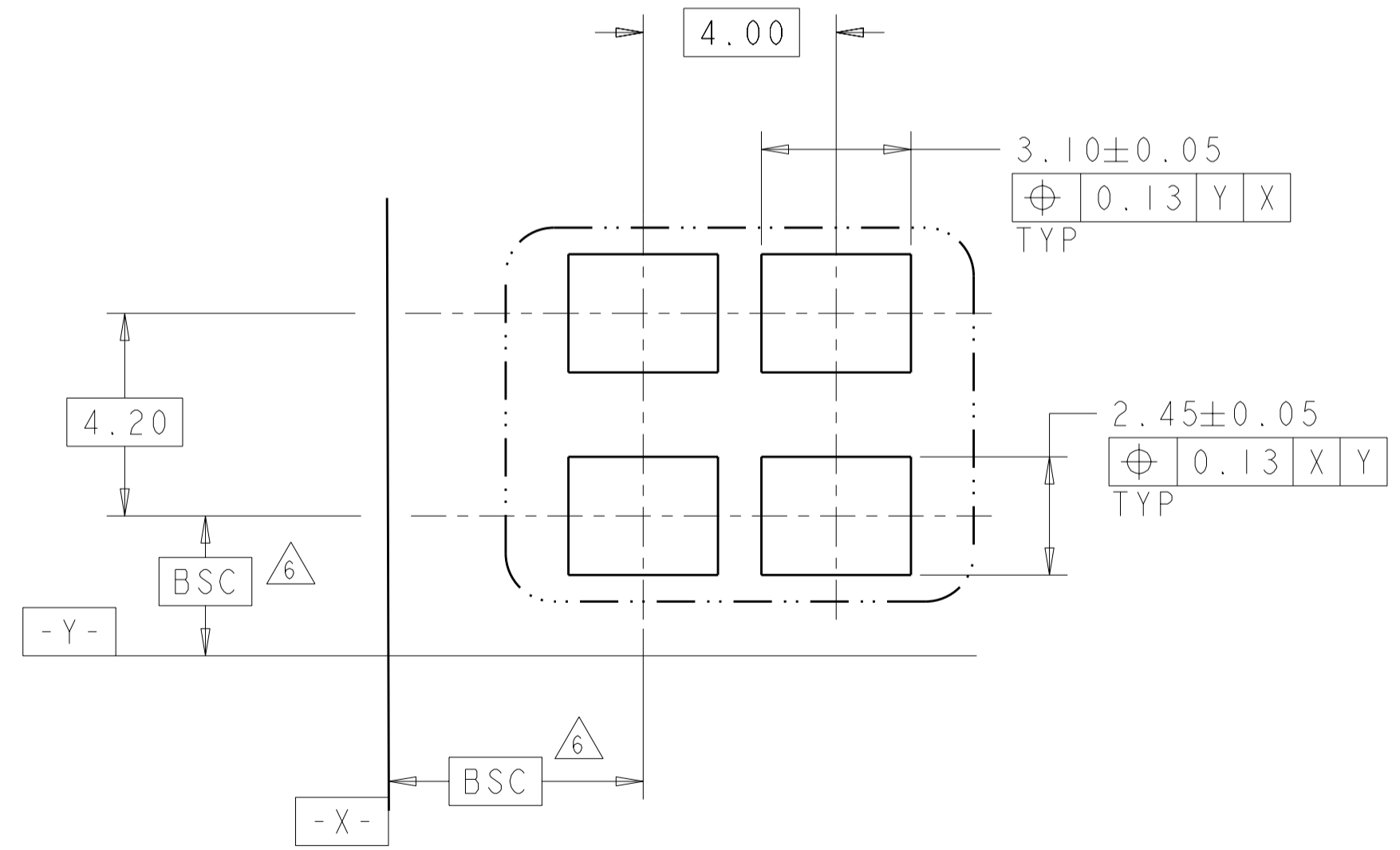
LOC	DIST	REVISIONS			
P	LTR	DESCRIPTION	DATE	DWN	APVD
CM	00	SEE SHEET 1	-	-	-



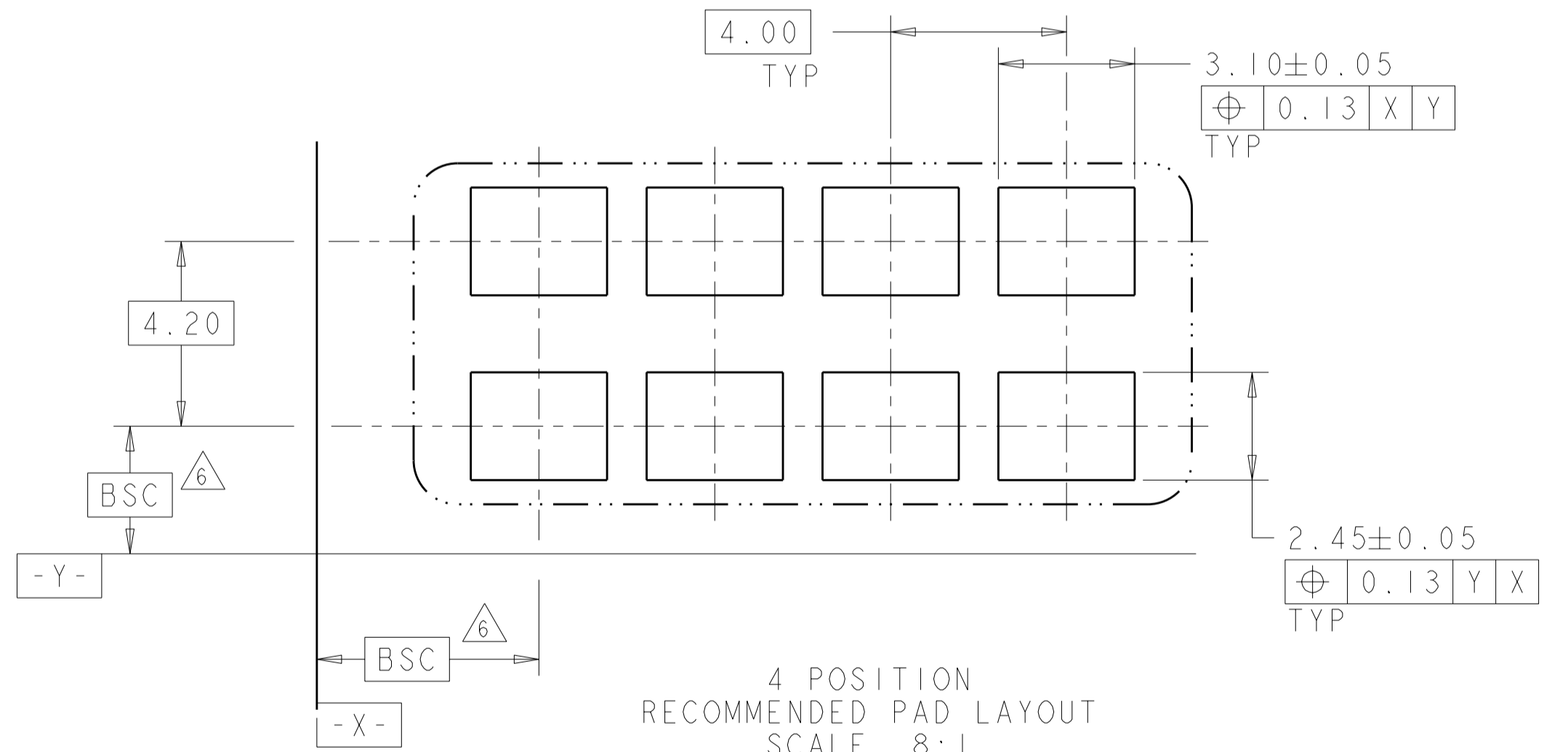
1 POSITION
RECOMMENDED PAD LAYOUT
SCALE 8:1



3 POSITION
RECOMMENDED PAD LAYOUT
SCALE 8:1



2 POSITION
RECOMMENDED PAD LAYOUT
SCALE 8:1

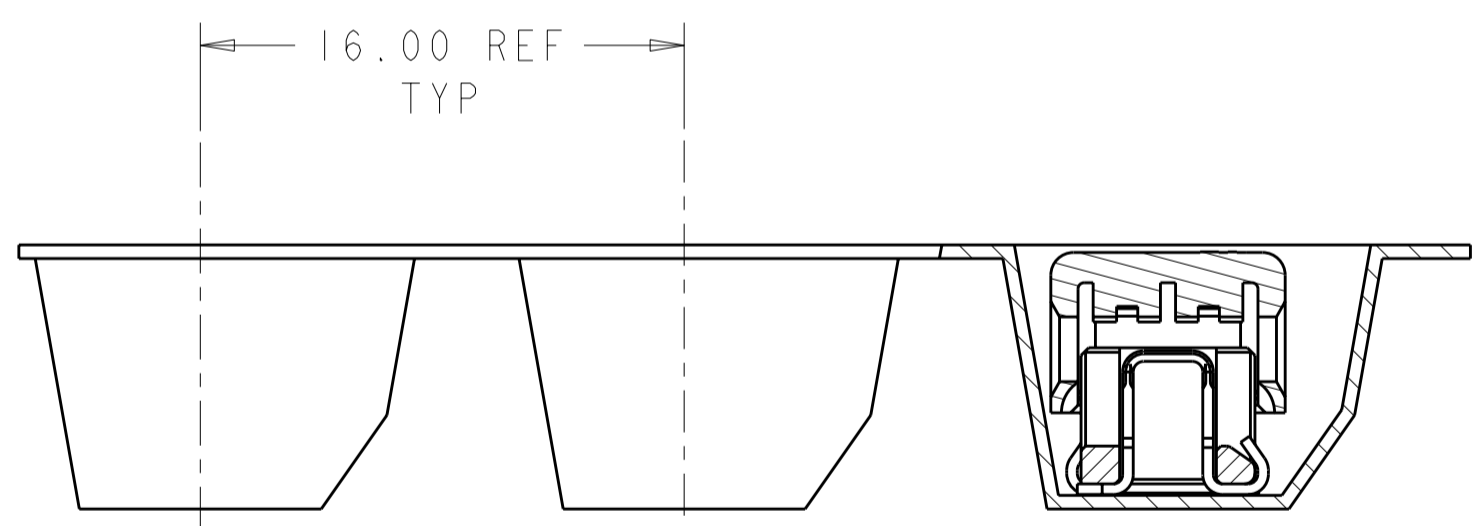
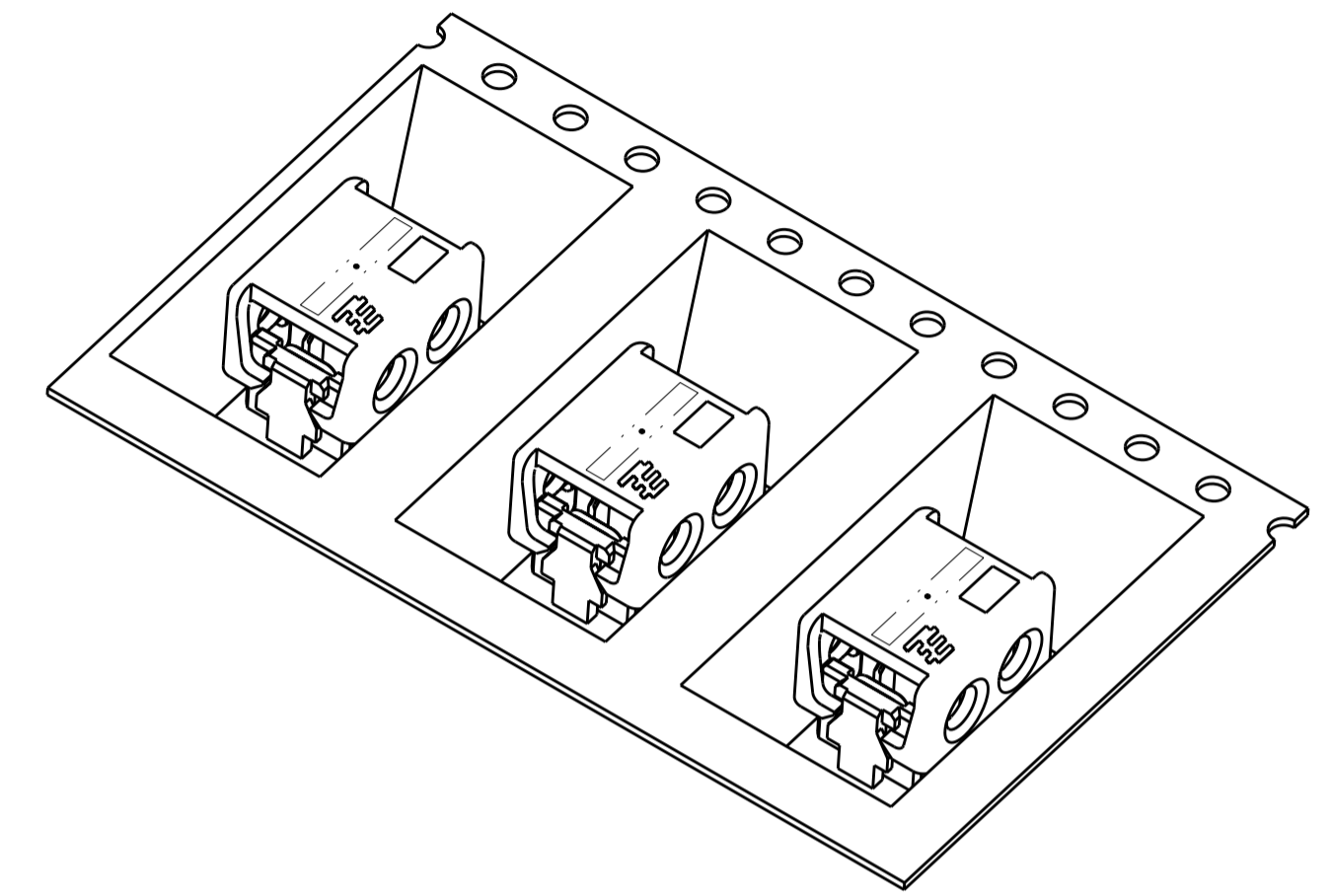
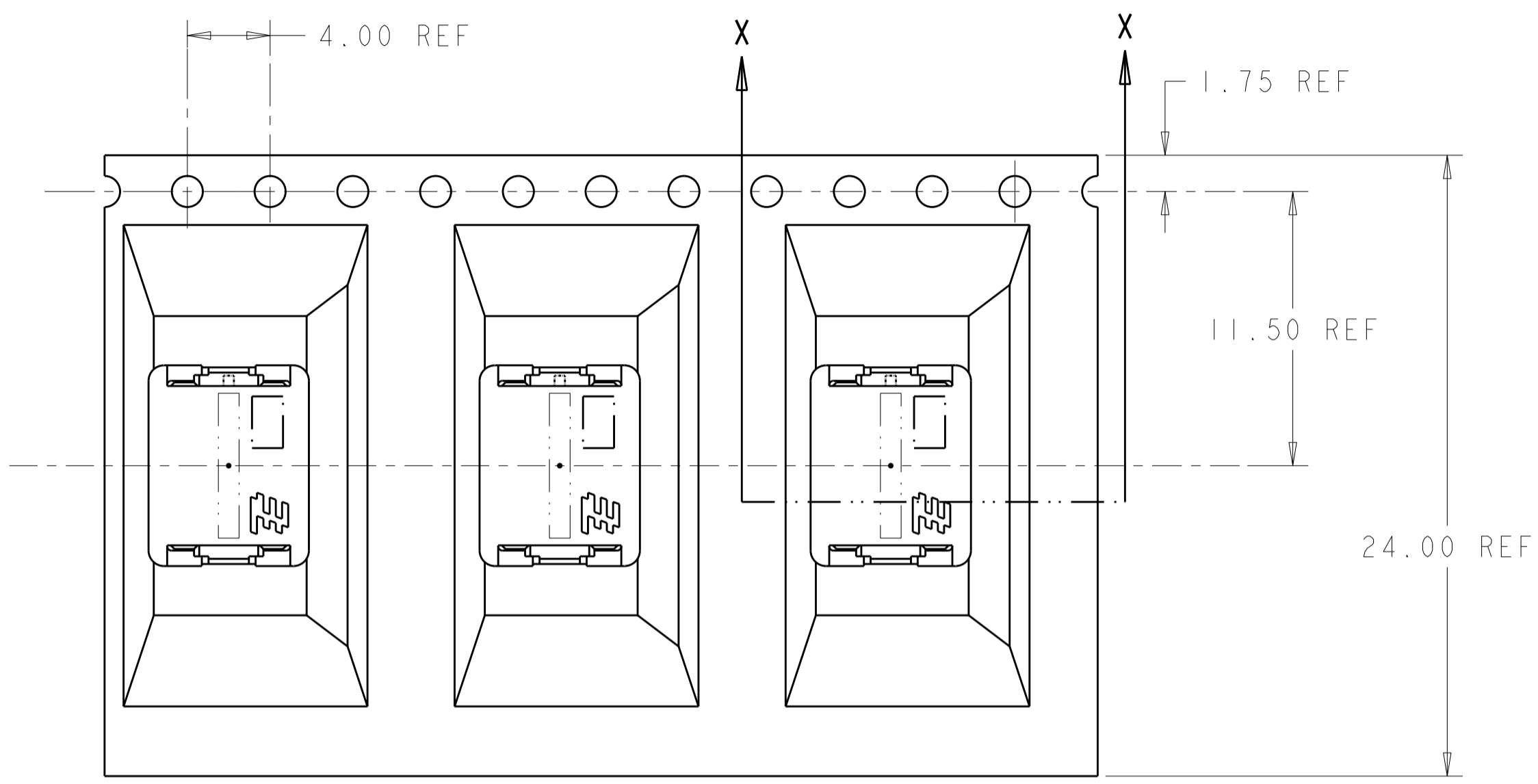


4 POSITION
RECOMMENDED PAD LAYOUT
SCALE 8:1

THIS DRAWING IS A CONTROLLED DOCUMENT.		DWN C DAILY 09DEC2008	TE Connectivity	
DIMENSIONS: mm		CHK J DYER 09DEC2008		
TOLERANCES UNLESS OTHERWISE SPECIFIED:		APVD -	NAME ASSEMBLY, IDC SSL CONNECTOR, SMT, PASS THRU	
0 PLC ±-		PRODUCT SPEC 108-2404	SIZE A200779	
1 PLC ±0.5		APPLICATION SPEC 114-13266	CAGE CODE C-2106431	
2 PLC ±0.13		WEIGHT -	DRAWING NO -	
3 PLC ±-		RESTRICTED TO -		
4 PLC ±-		SCALE 2:1		
ANGLES ±-		SHEET 2 OF 3		
FINISH ±-		REV A1		
MATERIAL -		CUSTOMER DRAWING		

THIS DRAWING IS UNPUBLISHED. RELEASED FOR PUBLICATION 20
 © COPYRIGHT 20 BY - ALL RIGHTS RESERVED.

LOC	DIST	REVISIONS					
CM	00	P	LTR	DESCRIPTION	DATE	DWN	APVD
		-		SEE SHEET 1			



SECTION X-X

2106431-2 SHOWN IN POCKET TAPE

THIS DRAWING IS A CONTROLLED DOCUMENT.		DWN C DAILY 09DEC2008	TE Connectivity	
		CHK J DYER 09DEC2008		
DIMENSIONS:	TOLERANCES UNLESS OTHERWISE SPECIFIED:	APVD -	NAME	
mm	0 PLC ± 1 PLC ±0.5 2 PLC ±0.13 3 PLC ± 4 PLC ± ANGLES ± FINISH ±	PRODUCT SPEC 108-2404	ASSEMBLY, IDC SSL CONNECTOR, SMT, PASS THRU	
MATERIAL		APPLICATION SPEC 114-13266	SIZE A200779	CAGE CODE C-2106431
		WEIGHT -	DRAWING NO	RESTRICTED TO
		CUSTOMER DRAWING	SCALE 4:1	SHEET 3 OF 3 REV A1