

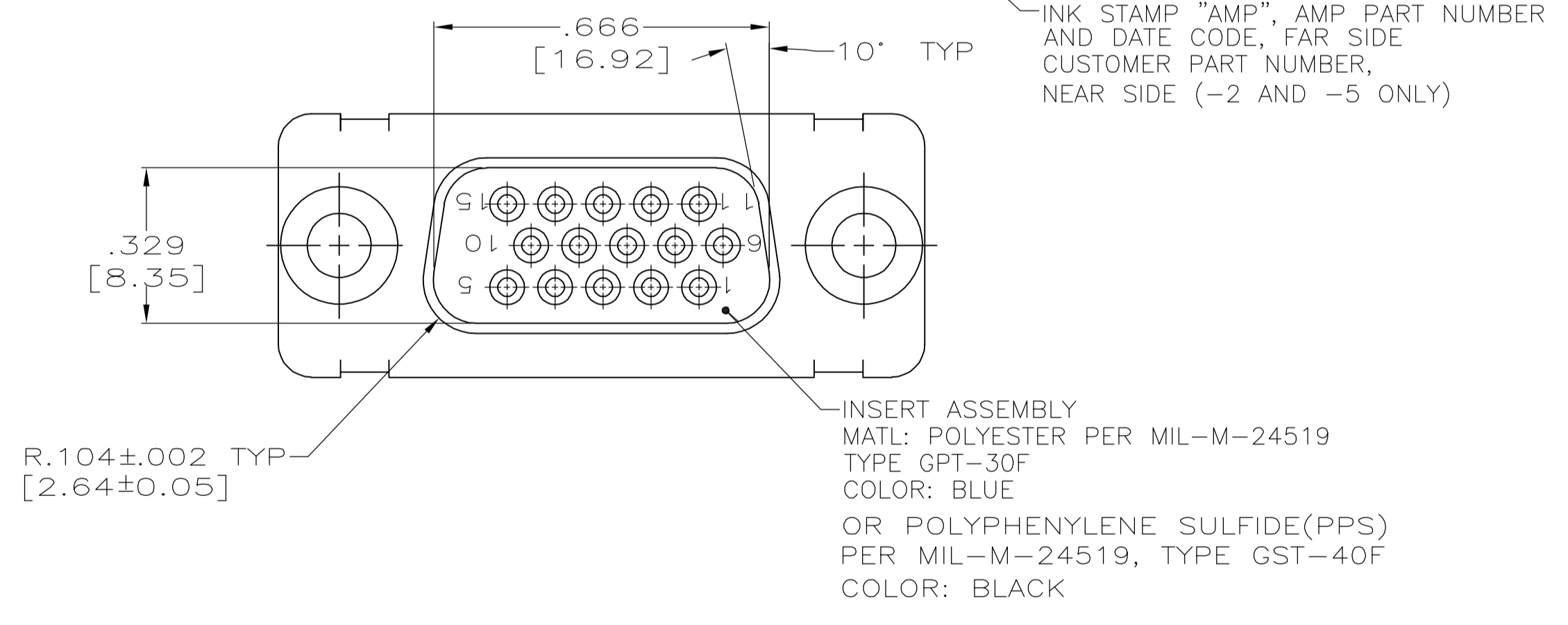
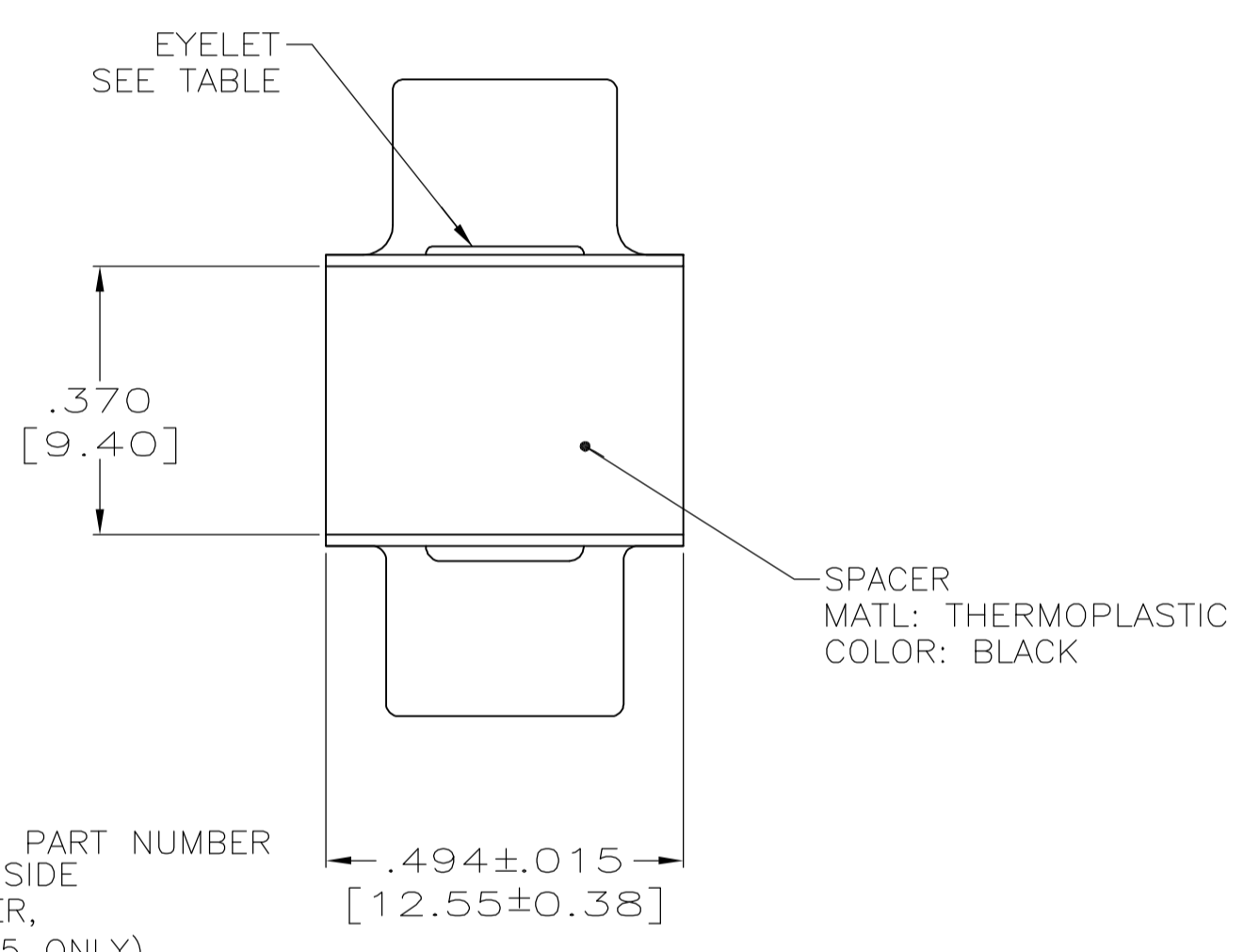
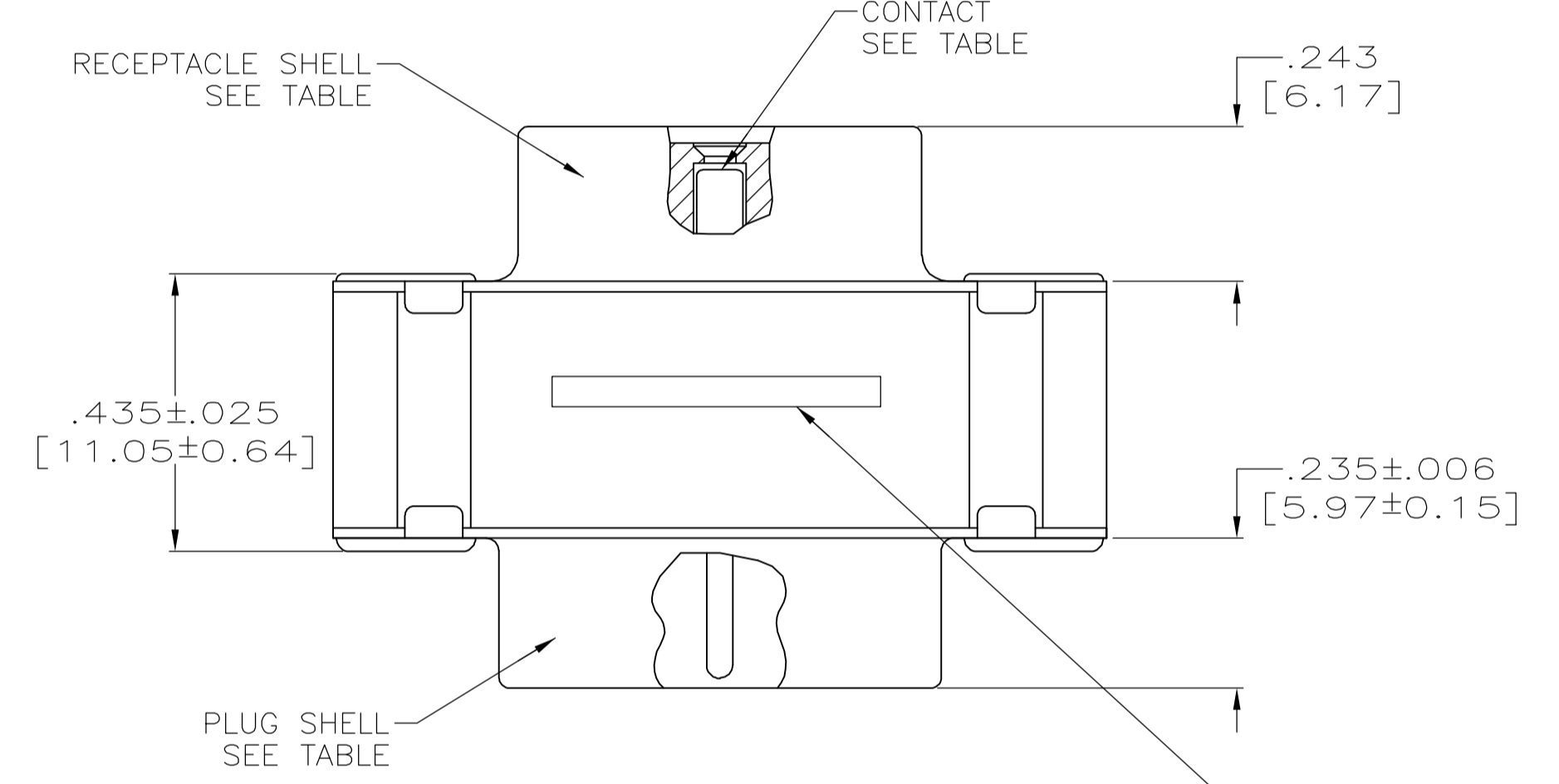
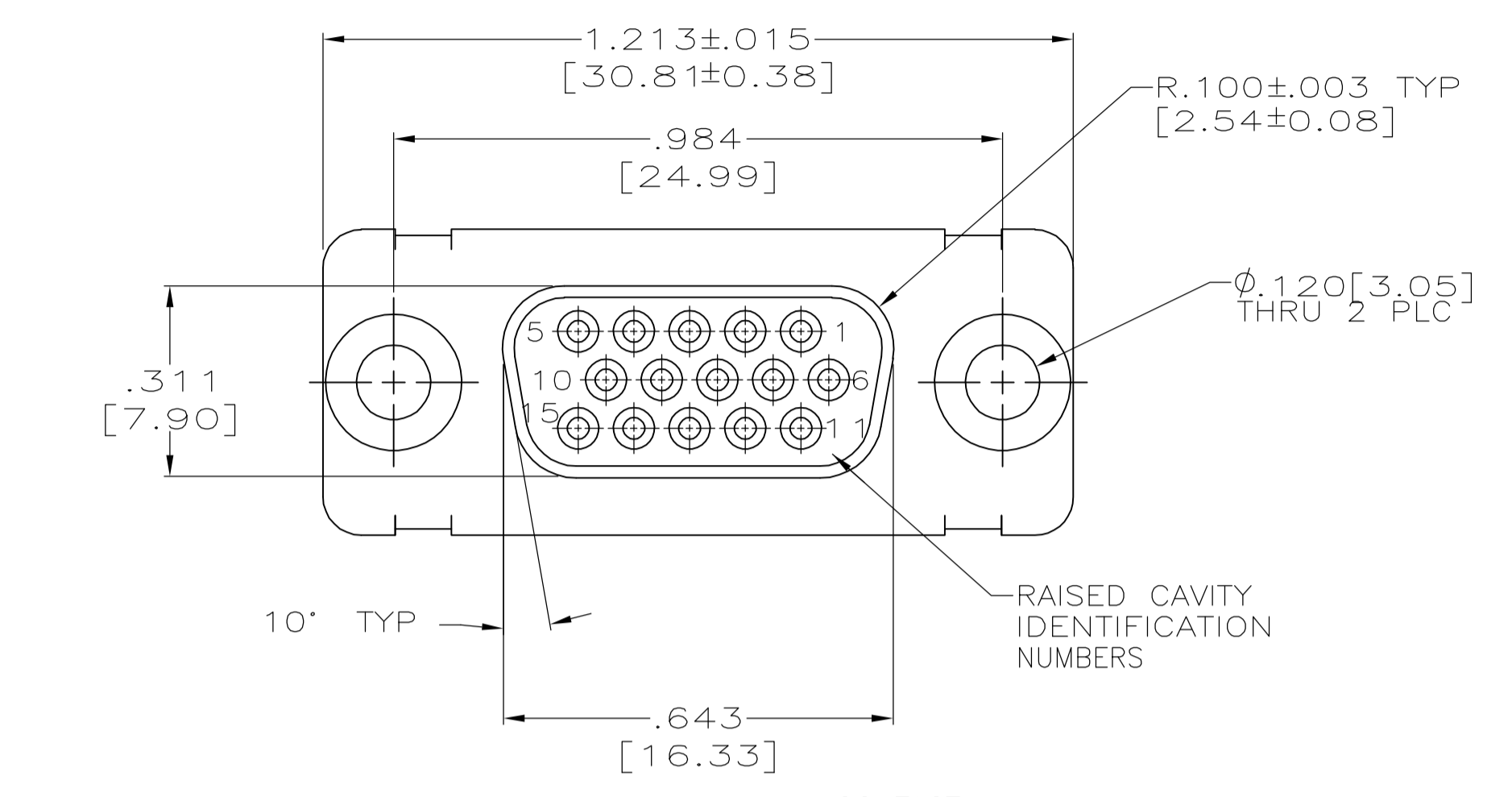
Distributed by:

JAMECO[®]
ELECTRONICS

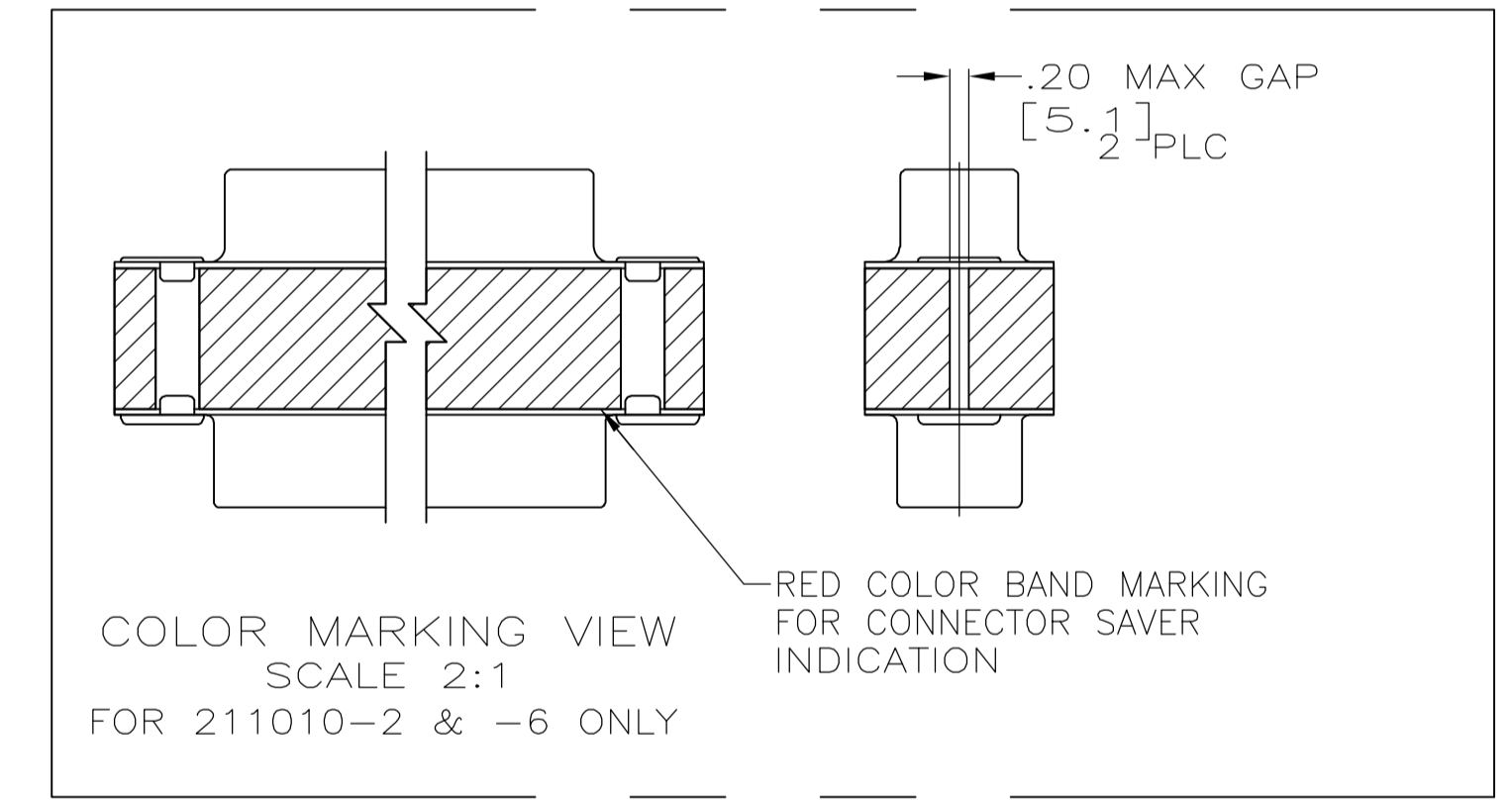
www.Jameco.com ♦ 1-800-831-4242

The content and copyrights of the attached
material are the property of its owner.

Jameco Part Number 750282



- CONTACTS INCLUDED IN ASSEMBLY.
- MATL: STEEL, PER ASTM-A-109.
- FINISH: CADMIUM PER QQ-P-416.
- CONTACT
- BODY MATL: BERYLLIUM COPPER PER ASTM-B-197.
BODY FINISH: PLATED GOLD, .000050 MIN THK PER MIL-G-45204 OVER NICKEL, .000050 MIN THK PER QQ-N-290.
- HOOD MATL: STAINLESS STEEL PER ASTM-A-167.
HOOD FINISH: PASSIVATED PER ASTM-A-380
- FINISH: PLATED ZINC .00020 MIN THK PER ASTM-B-633.
YELLOW CHROMATE FINISH.
- MATL: BRASS PER ASTM-B-36.
- FINISH: PLATED GOLD, .000050 MIN THK PER MIL-G-45204 OVER COPPER, .000100 MIN THK PER MIL-C-14550.
- CONTACT
- BODY MATL: BERYLLIUM COPPER PER ASTM-B-197.
BODY AND HOOD FINISH: PLATED GOLD, .000050 MIN THK PER MIL-G-45204 OVER COPPER, .000100 MIN THK PER MIL-C-14550.
- HOOD MATL: BRASS PER ASTM-B-36
- FINISH: PLATED ZINC PER ASTM-B-633 .000200 MIN THK WITH SUPPLEMENTARY CHROMATE (Cr3+).



△△	△△	△	-	5-211010-1
△△	△△	△	R10002677-0106	211010-6
△△	△△	△	2A091-001W	211010-5
△△	△△	△	-	211010-4
△△	△△	△	(1J02-106)	211010-2
△△	△△	△	-	211010-1
EYELET	SHELLS	CONTACT	CUSTOMER P/N	PART NO.

THIS DRAWING IS A CONTROLLED DOCUMENT.

DIMENSIONS: INCHES	TOLERANCES UNLESS OTHERWISE SPECIFIED:	DIN T. THOMPSON 19AUG98	tyco Electronics	Tyco Electronics Corporation Harrisburg, PA 17105-3608
0 PLC ± -	1 PLC ± -	CHK J. NORTON 19AUG98	NAME	CONNECTOR SAVER, AMPLIMITE 15 POSITION, SIZE 1, SERIES 90
2 PLC ± -	3 PLC ± .005(0.13)	APVD J. NORTON 19AUG98	PRODUCT SPEC	
4 PLC ± -	ANGLES ± -	APPLICATION SPEC	SIZE	CAGE CODE DRAWING NO
MATERIAL	FINISH	WEIGHT	A1 00779	RESTRICTED TO
			©=211010	
			CUSTOMER DRAWING	SCALE 4:1 SHEET 1 OF 1 REV W