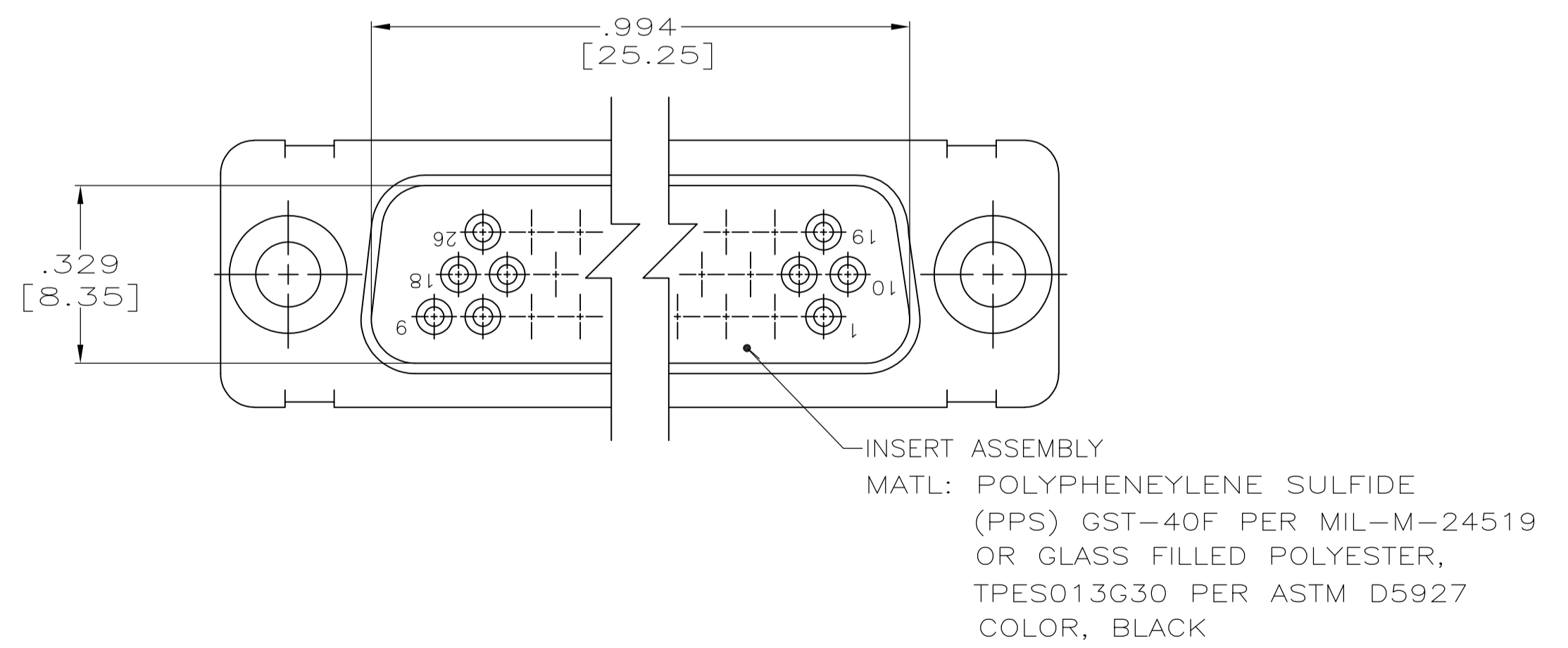
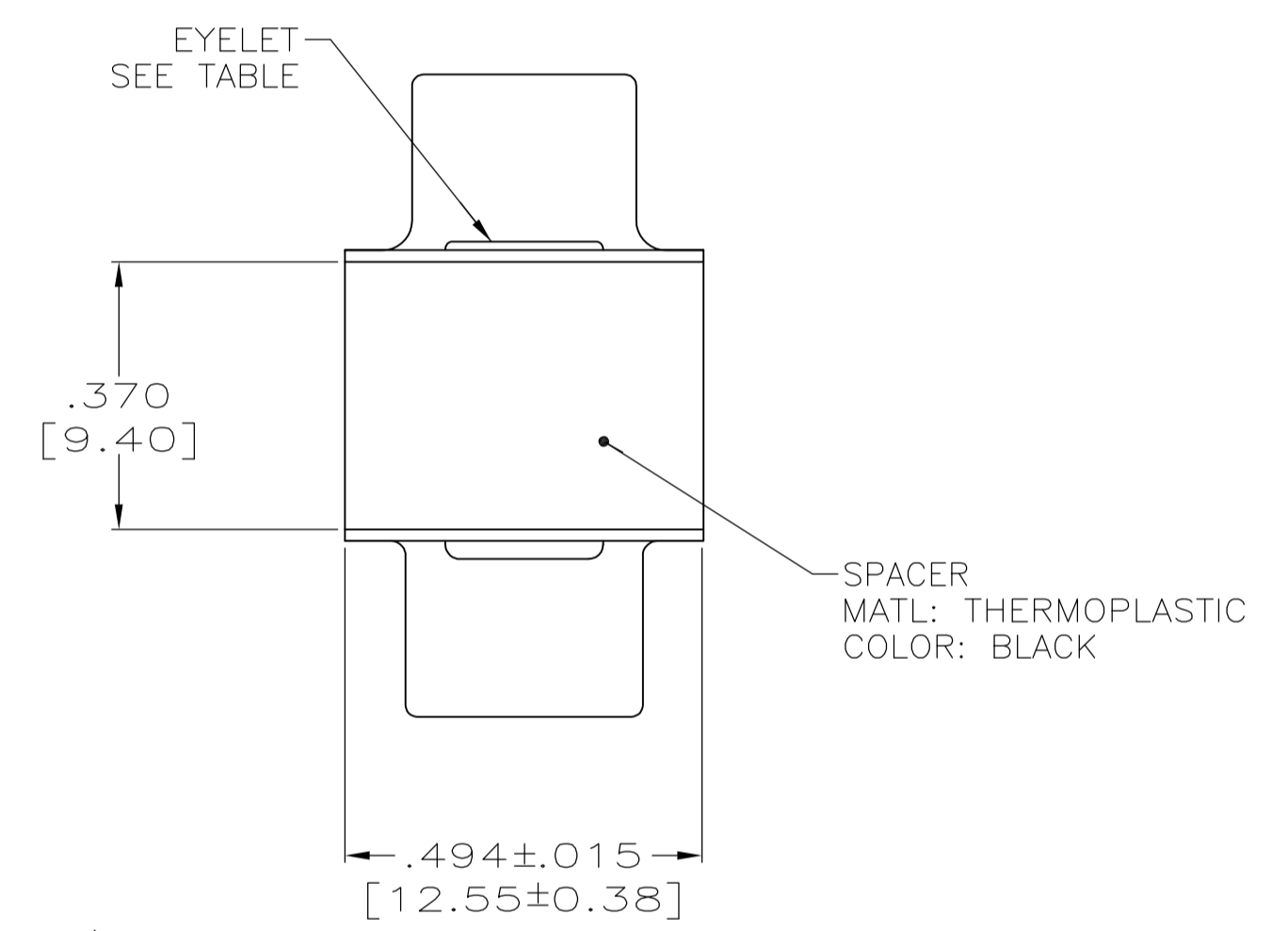
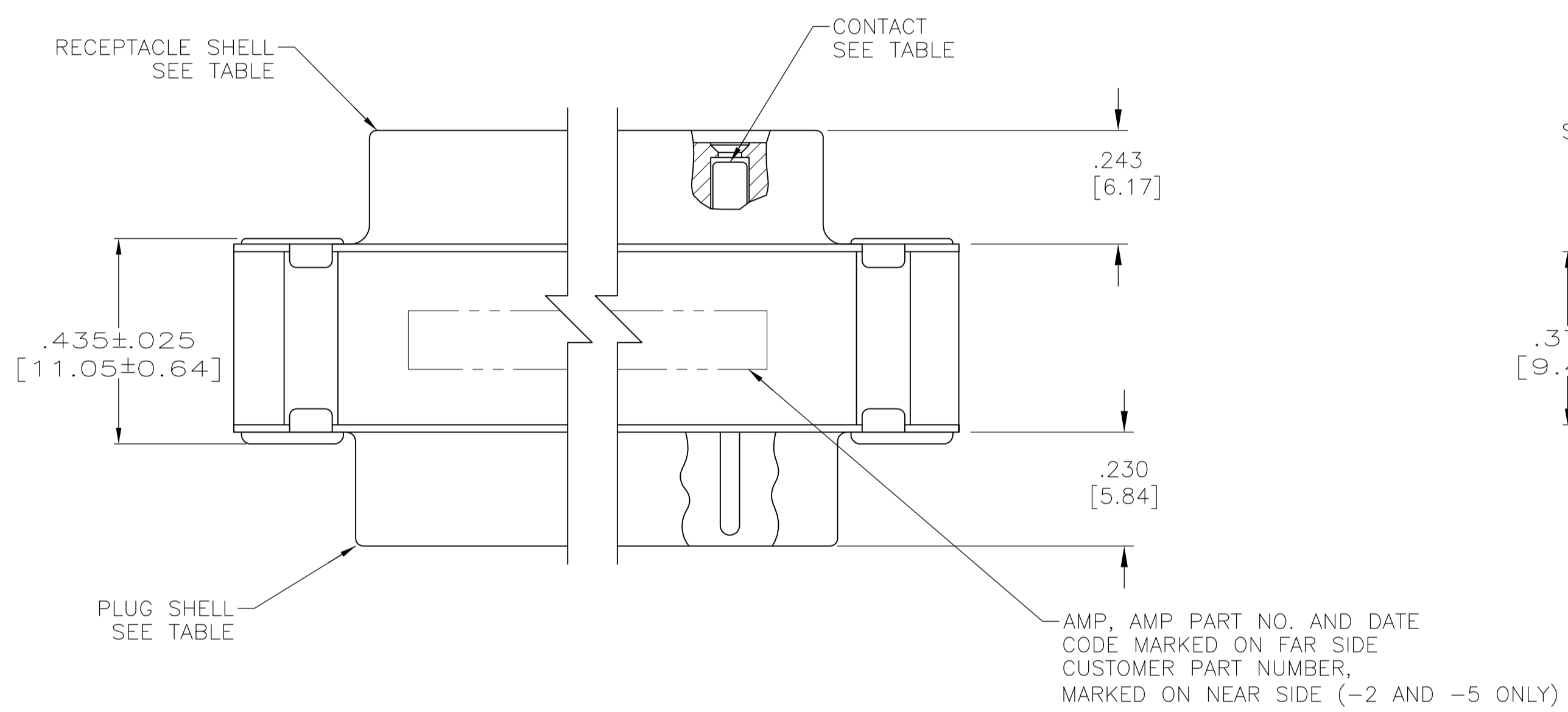
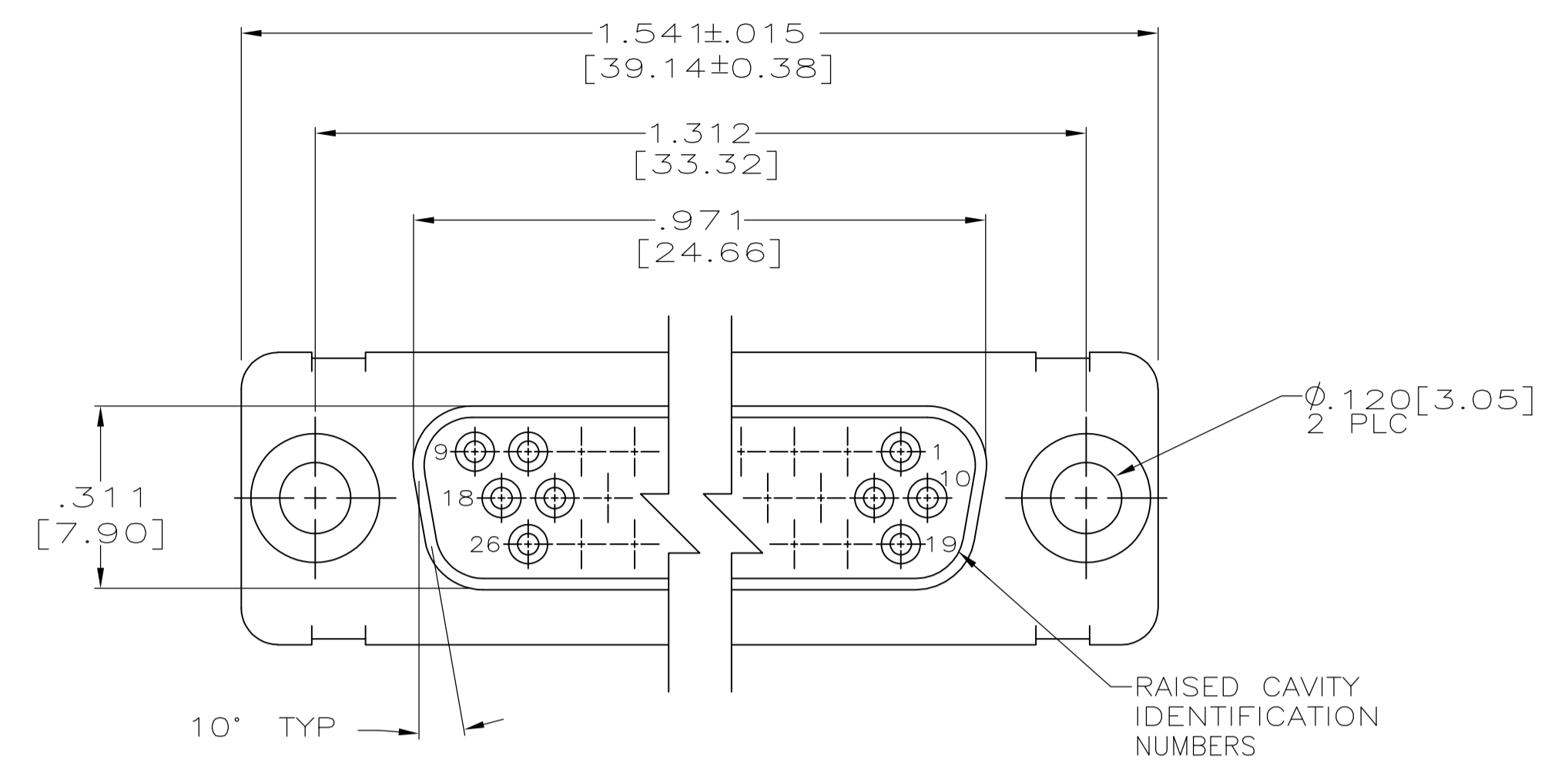
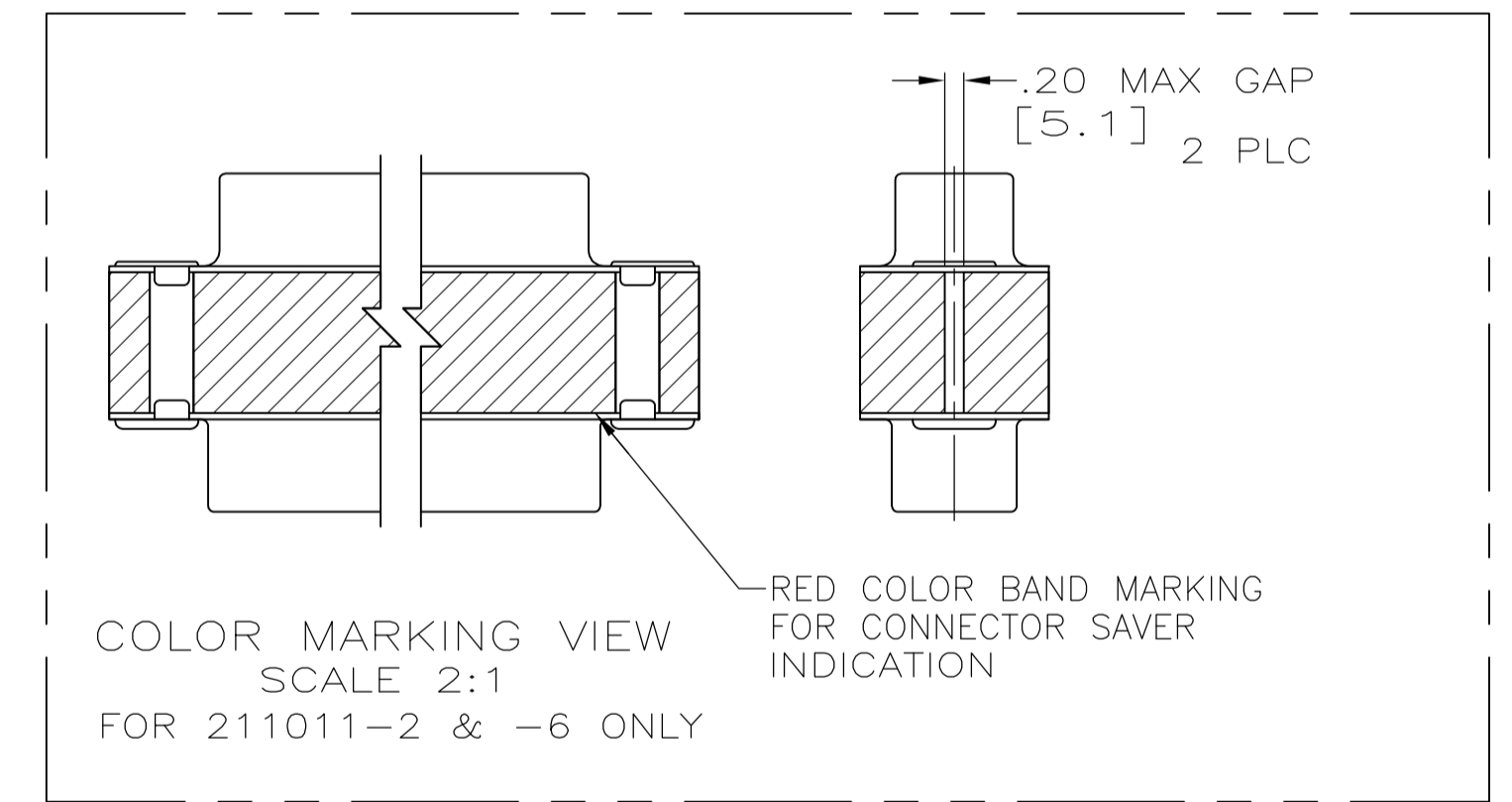


LOC		DIST		REVISIONS			
P	LTR	DESCRIPTION	DATE	DN	APVD		
U		REV PER ECO 13-001184	1-29-13	CT	RL		



- CONTACTS INCLUDED IN ASSEMBLY.
 - MAT'L: STEEL, PER ASTM-A-109.
 - FINISH: CADMIUM PER QQ-P-416.
 - MAT'L: BRASS PER ASTM-B-36.
 - FINISH: PLATED ZINC .00020 MIN THK PER ASTM-B-633. YELLOW CHROMATE FINISH.
- CONTACT
 - BODY MAT'L: BERYLLIUM COPPER PER ASTM-B-197.
 - BODY FINISH: PLATED GOLD, .000050 MIN THK PER MIL-G-45204 OVER NICKEL, .000050 MIN THK PER QQ-N-290.
 - HOOD MAT'L: STAINLESS STEEL PER ASTM-A-240.
 - HOOD FINISH: PASSIVATED PER QQ-P-35.
 - FINISH: PLATED GOLD, .000050 MIN THK PER MIL-G-45204 OVER COPPER FLASH.
 - FINISH: PLATED GOLD, .000050 MIN THK PER MIL-G-45204 OVER COPPER, .000100 MIN THK PER MIL-C-14550.
 - CONTACT
 - BODY MAT'L: BERYLLIUM COPPER PER ASTM-B-197.
 - BODY FINISH: PLATED GOLD, .000050 MIN THK PER MIL-G-45204 OVER COPPER, .000100 MIN THK PER MIL-C-14550.
 - HOOD MAT'L: COPPER ALLOY PER QQ-B-613.
 - FINISH: PLATED GOLD, .000050 MIN THK PER MIL-G-45204 OVER COPPER, .000100 MIN THK PER MIL-C-14550.



4	8	4	6	4U884 SOCN R10002677-0107	211011-6
4	8	4	6	2A091-002W-001	211011-5
4	8	4	9	-	211011-4
4	8	4	9	-	211011-3
4	8	4	6	(1J02-107)	211011-2
4	8	4	6	-	211011-1
EYELET	SHELLS	CONTACT		CUSTOMER P/N	PART NO.

OBSOLETE

THIS DRAWING IS A CONTROLLED DOCUMENT.		DIN	C.C.THOMAS	11-3-98
DIMENSIONS: INCHES		CIK	J.NORTON	11-17-98
TOLERANCES UNLESS OTHERWISE SPECIFIED:		APVD	J.NORTON	11-17-98
0 PLC	± -	PRODUCT SPEC		
1 PLC	± -	APPLICATION SPEC		
2 PLC	± -	SIZE	A1	00779
3 PLC	± .005 [0.13]	WEIGHT		
4 PLC	± -	CUSTOMER DRAWING		
ANGLES	± -	SCALE	4:1	SHEET 1 OF 1
MATERIAL		REV	U	



CONNECTOR SAVER,AMPLIMITE 26 POSN.,SIZE 2,SERIES 90