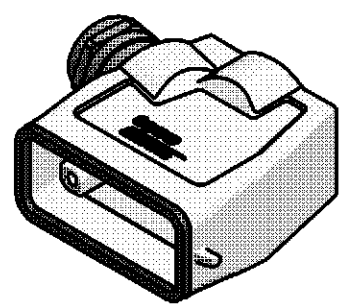
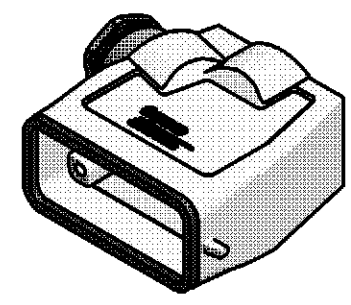


**NOTES**

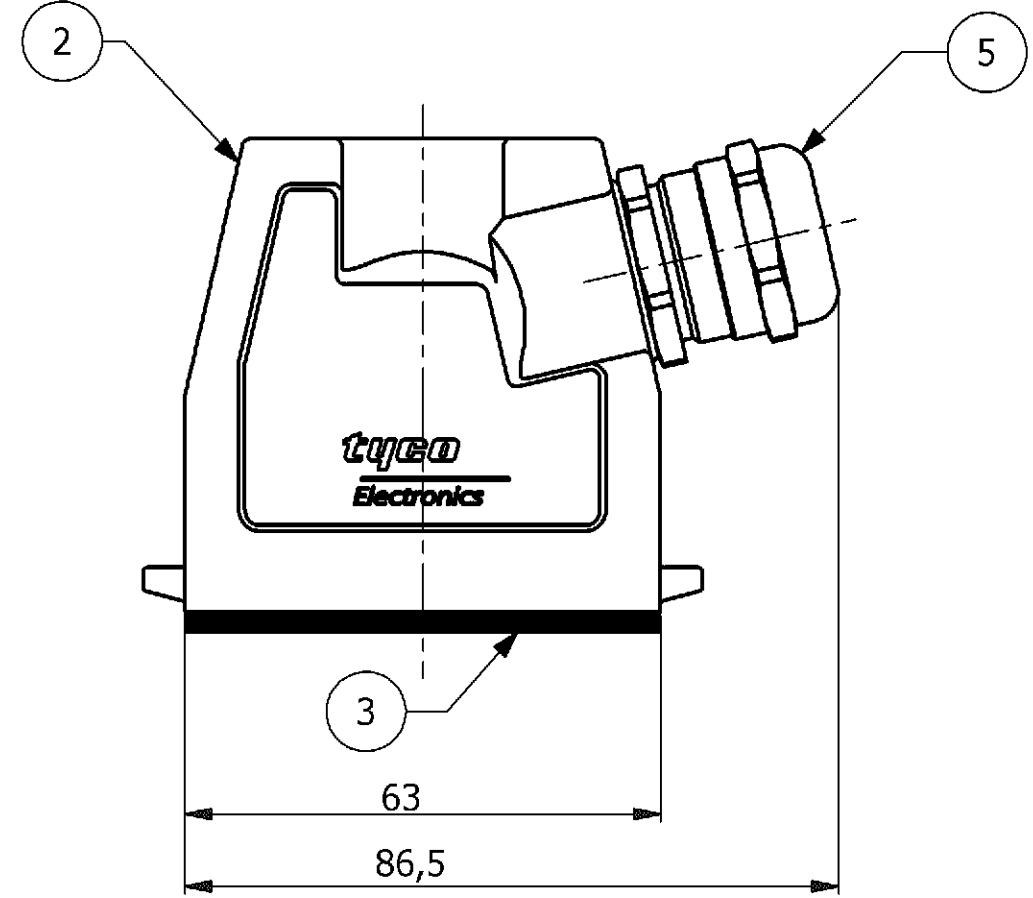
- 1 PACKAGING QUANTITY: 5 PIECES PER BOX
- 2 MATERIAL: HOUSING: ALUMINIUM DIE CAST ALLOY  
SEALS: NEOPRENE
- 3 SURFACE: VARNISH GREY  
ALUMINIUM OXIDE +  
VARNISH BLACK
- 4 VARNISH ON THE INSIDE NOT NECESSARY

**PN:1-7 as shown**



**PN:1-7  
Ordering Text:  
HD.15.STS.1.16**

**PN:2-7  
Ordering Text:  
HD-K.15.STS.1.16**



**PN:2-7 as shown**

1	-	DESCRIPTION	MATERIAL	SURFACE	COLOR	ITEM NO.	REMARKS
1	-	Gland Fitting	Brass	Nickel Plated	Blue	5	PG 16
-	1	Cable Fitting Round	Brass	Nickel Plated	Blue	4	PG 16
1	1	Profile Seal	Neoprene	-	Black	3	-
1	-	Hood	Aluminium	Aluminium oxide	Black	2	-
-	1	Hood	Aluminium	-	Grey	1	-

THIS DRAWING IS A CONTROLLED DOCUMENT FOR AMP INCORPORATED. IT IS SUBJECT TO CHANGE AND THE CONTROLLING ENGINEERING ORGANIZATION SHOULD BE CONTACTED FOR THE LATEST REVISION. DIESSES ZEICHNUNGSDOKUMENT WIRD DURCH AMP INCORPORATED KONTROLLIERT. ÄNDERUNGEN, DIE DEM TECHNISCHEN FORTSCHRITT DIENEN, SIND VORBEHALTEN. DEN JEWELIGS LETZTIGELTIGEN ÄNDERUNGSSTAND ERFAHREN SIE AUF ANFRAGE.		DWN R.SRINIVAS 5/3/2006	<b>tyco</b> Electronics		Tyco / Electronics AMP GmbH D - 53819 Neunkirchen, Germany		
DIMENSIONS: DIMENSIONEN: mm	TOLERANCES UNLESS OTHERWISE SPECIFIED: ALLGEMEINTOLERANZEN	CHK R.SRINIVAS 5/3/2006	<b>HOOD</b> <b>HD.15.STS.1.16</b>				
n. ISO 8015 - n. ISO 2768 - n. DIN 16901-	mH-E 140	APVD T.SCHNURPFEIL 5/3/2006					
0 PLC # 1 PLC # 2 PLC # 3 PLC # ANGLES / WINKEL #	PRODUCT SPEC. PRODUKTSPEZ. 108-74001;-74003	APPLICATION SPEC. VERARBEITUNGSSPEZ. 114-74004	NAME	<b>1102425</b>			
MATERIAL	FINISH / OBERFLAECHE / FARBE	WEIGHT GEWICHT	DRAWING NO ZEICHNUNGS-NR.				
2	3	CUSTOMER DRAWING / KUNDENZEICHNUNG		SIZE <b>A3</b>	CAGE CODE 00779	RESTRICTED TO NUR FUER	
		SCALE MASSSTAB		1:1	SHEET BLATT	1 OF VON 1	REV. B1

# Mouser Electronics

Authorized Distributor

Click to View Pricing, Inventory, Delivery & Lifecycle Information:

[TE Connectivity:](#)

[2-1102425-7](#)