

2-1103004-3 Product Details

[Share](#) [Print](#) [Email](#)



2-1103004-3

TE Internal Number: 2-1103004-3

 Active

HTS Connectors and Accessories

 Always EU RoHS/ELV Compliant (Statement of Compliance)

Product Highlights:

- HD.15 Series
- Insert
- Product Size = 2
- Contact Configuration = Crimp Terminal
- Insert Style = Pin

[View all Features](#)

Quick Links

- ▶ [Pricing & Availability](#)
- ▶ [Search for Tooling](#)
- ▶ [Product Feature Selector](#)
- ▶ [Contact Us About This Product](#)

[Add to My Part List](#)

[Request Sample](#)

[Find Similar Products](#)

[Buy Product](#)

Documentation & Additional Information

Product Drawings:

- [Male insert HD.15 \(PDF, English\)](#)

Catalog Pages/Data Sheets:

- [HTS Heavy Duty Connectors catalogue \(PDF, English\)](#)

Product Specifications:

- None Available

Application Specifications:

- None Available

Instruction Sheets:

- None Available

CAD Files:

- None Available

Additional Information:

- [Product Line Information](#)

Related Products:

- [Tooling](#)

[List all Documents](#)

Product Features (Please use the Product Drawing for all design activity)

Product Type Features:

- Product Type = Insert
- Product Size = 2
- Gender = Male

Electrical Characteristics:

- Power Circuit Voltage (V) = 250
- Power Circuit Current (A) = 10
- Pollution Degree = 3

Body Features:

- Insert Style = Pin
- Material = Glass-Filled Thermoplastic

Contact Features:

- Contact Configuration = Crimp Terminal
- Number of Poles = 15+PE

Industry Standards:

- [RoHS/ELV Compliance](#) = RoHS compliant, ELV compliant
- [Lead Free Solder Processes](#) = Not relevant for lead free process
- [RoHS/ELV Compliance History](#) = Always was RoHS compliant

Packaging Features:

- Packaging Method = Loose Piece
- Packaging Quantity = 5

Other:

- Series = HD.15
- Brand = HTS
- Comment = Use HD.M Contacts

Corporate Information

[About TE](#)
[Investors](#)
[News Room](#)
[Supplier Portal](#)
[Careers](#)
[Terms & Conditions](#)
[Privacy Policy](#)
[AODA Accessibility Policy](#)

Quick Links

[Distributor Inventory](#)
[Product Cross Reference](#)
[Documents & Drawings](#)
[Product Compliance Support Center](#)
[Site Map](#)

Customer Support

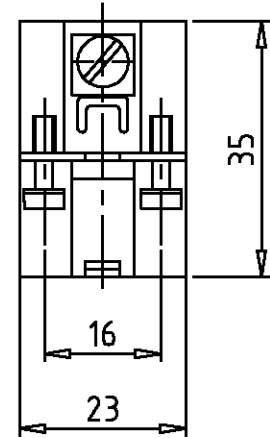
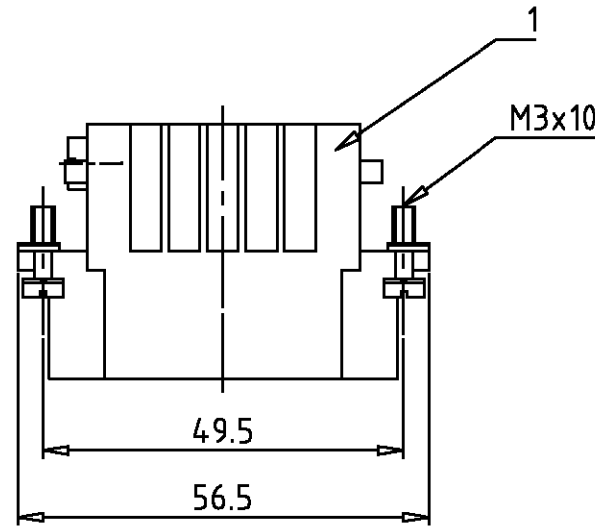
[Email or Chat With Us](#)
[Find a Phone Number](#)
[Knowledge Base](#)
[Manage Your Account](#)

Keep Me Informed

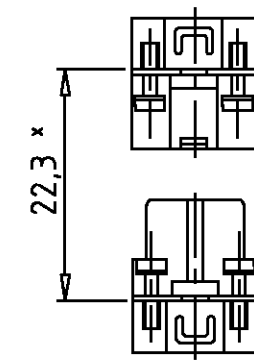
THIS DRAWING IS UNPUBLISHED.
 VERTRAULICHE UNVERÖFFENTLICHTE ZEICHNUNG
 RELEASED FOR PUBLICATION
 FREI FUER VERÖFFENTLICHUNG
 .1997
 BY AMP INCORPORATED. ALL RIGHTS RESERVED.
 ALLE RECHTE VORBEHALTEN

MATED WITH:
 PASSEND ZU:
 HD.15

LOC A1	DIST -	REVISIONS ÄNDERUNGEN		
		P	LTR	DATE
PROJEKT NR.: -		DESCRIPTION BESCHREIBUNG auf neue Design geändert		APVD SM
		A2	Eg00-1877-01	25.06.01 SR

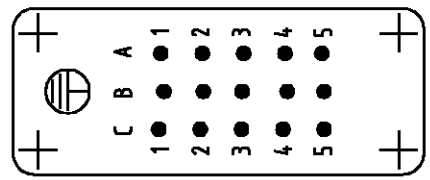


Montagehinweis
 Assembling instruction



* Abstand für sichere Kontakt-
 gabe max: 24 mm

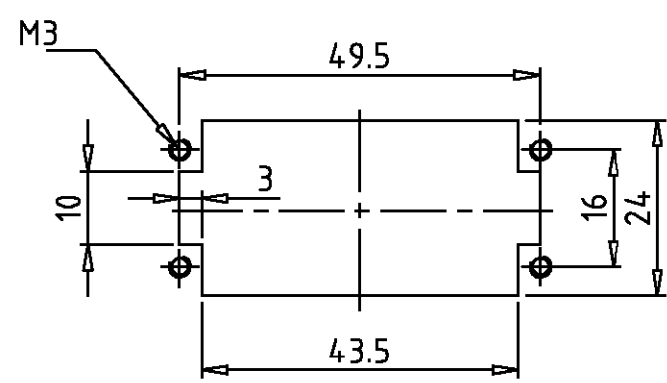
Kontaktanordnung
 Contact arrangement



Ansicht Anschlußseite
 view from termination side

Montageausschnitt
 Panel cut-out for contact insert

bei Verwendung ohne Gehäuse
 when used without housing



Notes:

- ① Material: insert, PC
 UL-File Nr.: E101788(R)
- ② use contact-type: HD.M

Bemerkungen:

- ① Material: Einsatz: PC
 UL-File Nr.: E101788(R)
- ② Kontakte: Serie HD.M

1	Stifteinsatz HD.15. Crimp	①	hellbeige	1	
2-3	DESCRIPTION / BENENNUNG	MATERIAL	COLOR / FARBE	ITEM NO. POS.	REMARKS / BEMERKUNGEN
HD.15.Sti.C	ORDERING TEXT / BESTELLTEXT	<small>THIS DRAWING IS A CONTROLLED DOCUMENT FOR AMP INCORPORATED. IT IS SUBJECT TO CHANGE AND THE CONTROLLING ENGINEERING ORGANIZATION SHOULD BE CONTACTED FOR THE LATEST REVISION. DIESER ZEICHNUNGSKOPF WIRD DURCH AMP INCORPORATED KONTROLLIERT. ÄNDERUNGEN, DIE DEM TECHNISCHEN FORTSCHRITT DIENEN, SIND VORBEHALTEN. DEN JEWIGEN LETZTGÜLTIGEN ÄNDERUNGSSTAND ERFAHREN SIE AUF ANFRAGE.</small> DIMENSIONS: DIMENSIONEN: mm		DWN Schneider 28.07.1998 CHK Schweiger 28.07.1998	AMP HTS Elektrotechnik 53819 Neunkirchen, Germany Male insert HD.15 Stifteinsatz HD.15
		<small>TOLERANCES UNLESS OTHERWISE SPECIFIED: ALL GEMEINTOLERANZEN n. ISO 8015 n. ISO 2768 - mH - E n. DIN 16901 - 140</small>	APVD -	NAME	
			PRODUCT SPEC PRODUKTSPEZ.	SIZE	
		MATERIAL ①	APPLICATION SPEC VERARBEITUNGSSPEZ. -	CAGE CODE 00779	
		FINISH / OBERFLÄCHE / FARBE ②	WEIGHT GEWICHT 57 g	DRAWING NO ZEICHNUNGS-NR. C-1103004	
			CUSTOMER DRAWING	RESTRICTED TO NUR FUER	
				MASSSTAB 1:1 BLATT 1 OF 1 REV A2	