

Distributed by:

JAMECO[®]
ELECTRONICS

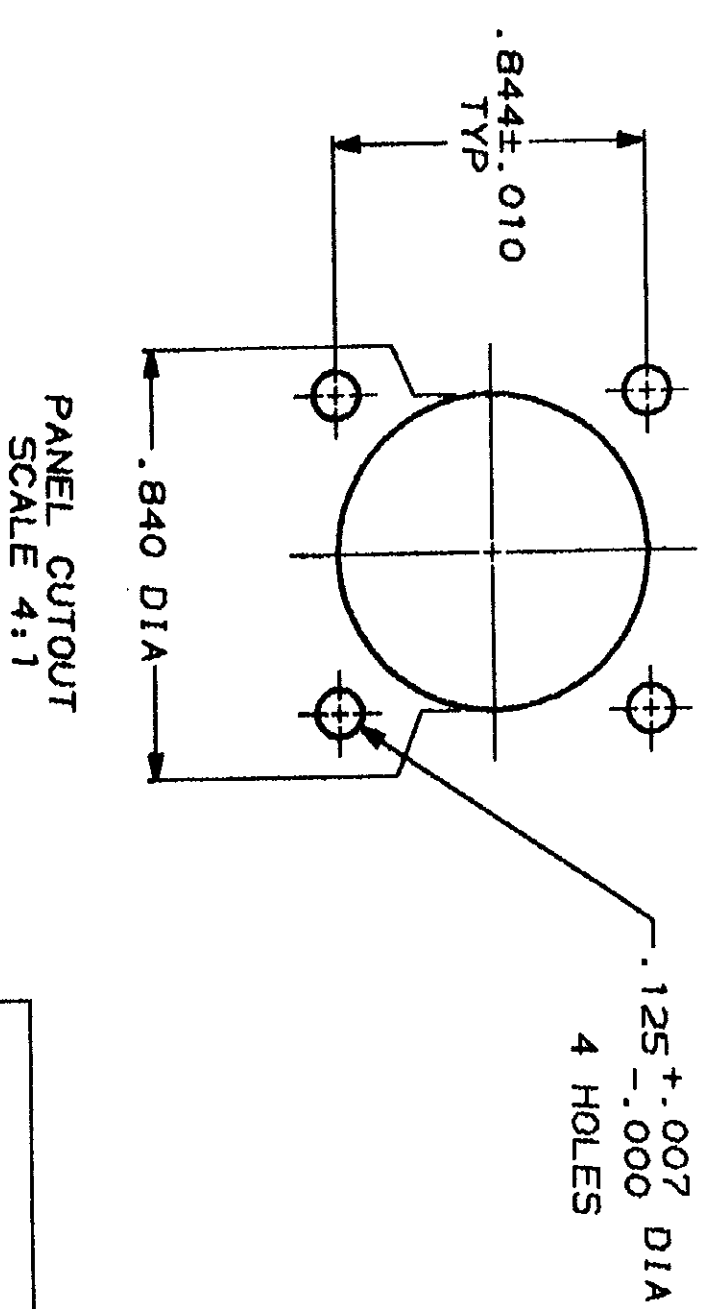
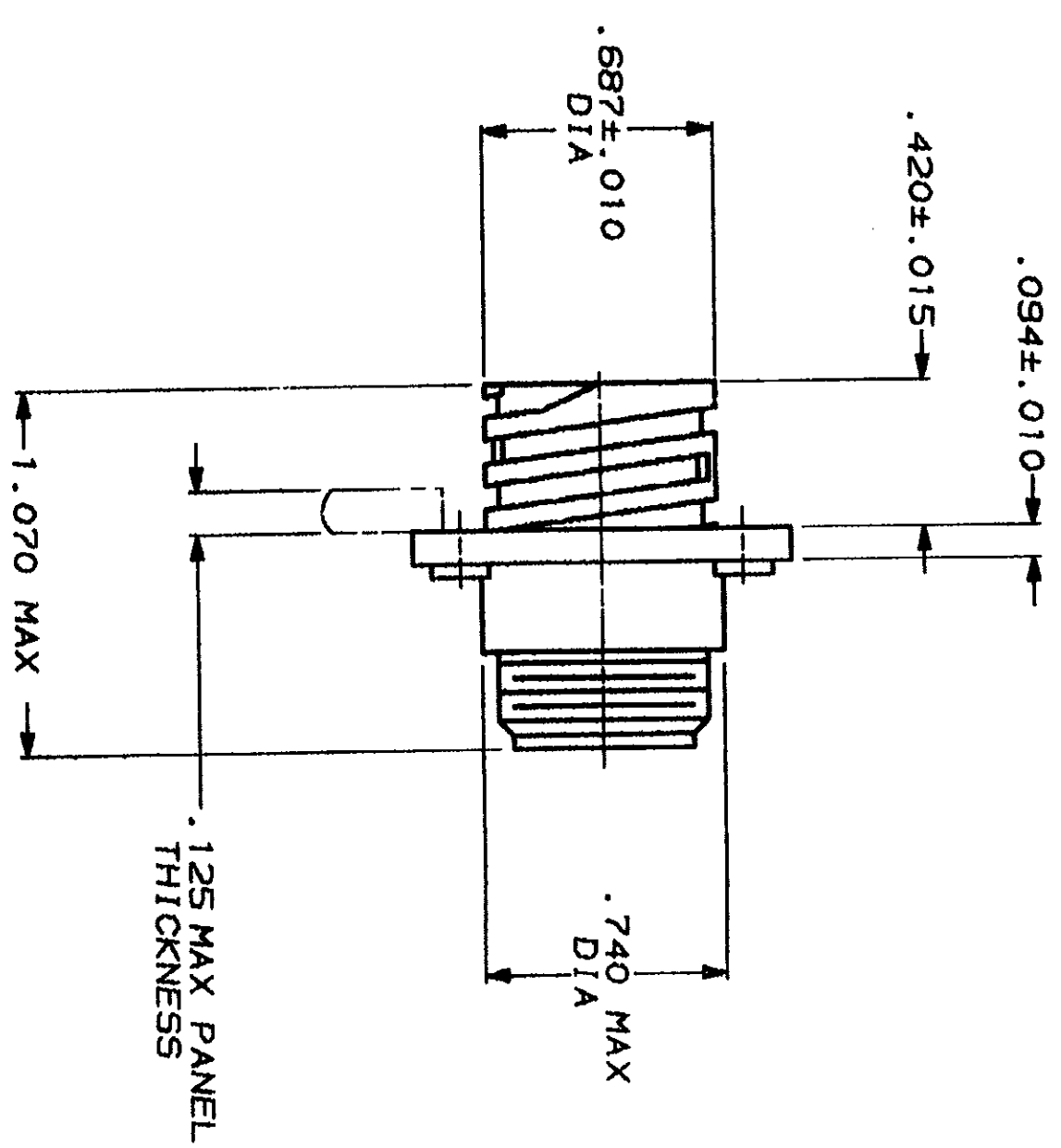
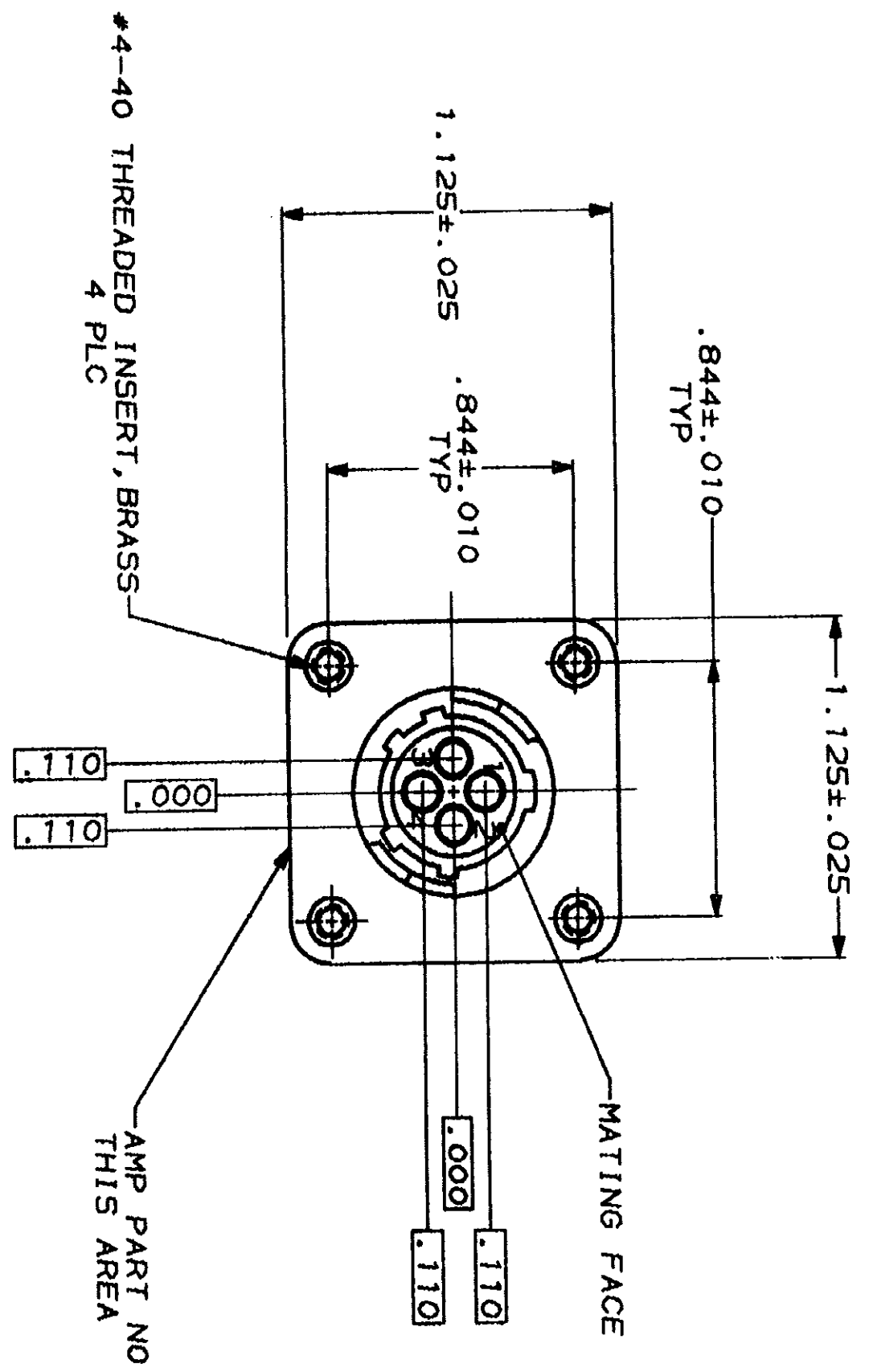
www.Jameco.com ♦ 1-800-831-4242

The content and copyrights of the attached
material are the property of its owner.

Jameco Part Number 839501

DRAWING MADE IN THIRD ANGLE PROJECTION
 THIS DRAWING IS UNPUBLISHED.
 BY AMP INCORPORATED. ALL INTERNATIONAL RIGHTS RESERVED.

REV	DATE	DESCRIPTION
23	BD 39	REDDRAWN



1. CONTACT CAVITIES IDENTIFIED BY CHARACTERS ON FRONT AND REAR FACES OF CONNECTOR.
2. CONNECTOR WILL ACCEPT FOUR (4) MULTIMATE SOCKET CONTACTS.

DO NOT SCALE PRINT. UNLESS SPECIFIED DIMENSIONS IN INCHES TOLERANCES ON:		AMP AMP Incorporated Harrisburg, PA 17105-3608	
1	± .005	DR	B/1/90
2	± .005	CHK	S. RIDLEY BS
3	± .005	APPD	K. Bueck
MATERIAL THERMOPLASTIC, BLACK		APPD	5-2-91
FINISH BLACK		APPD	5/2/91
APPLICATION SPEC		SCALE	2:1
WEIGHT		SIZE	CAGE CODE
DRAWING NO 211102		SIZE	00779
SHEET 1 OF 1		SCALE	2:1

211102-1
 PART NUMBER

211102

CUSTOMER DRAWING