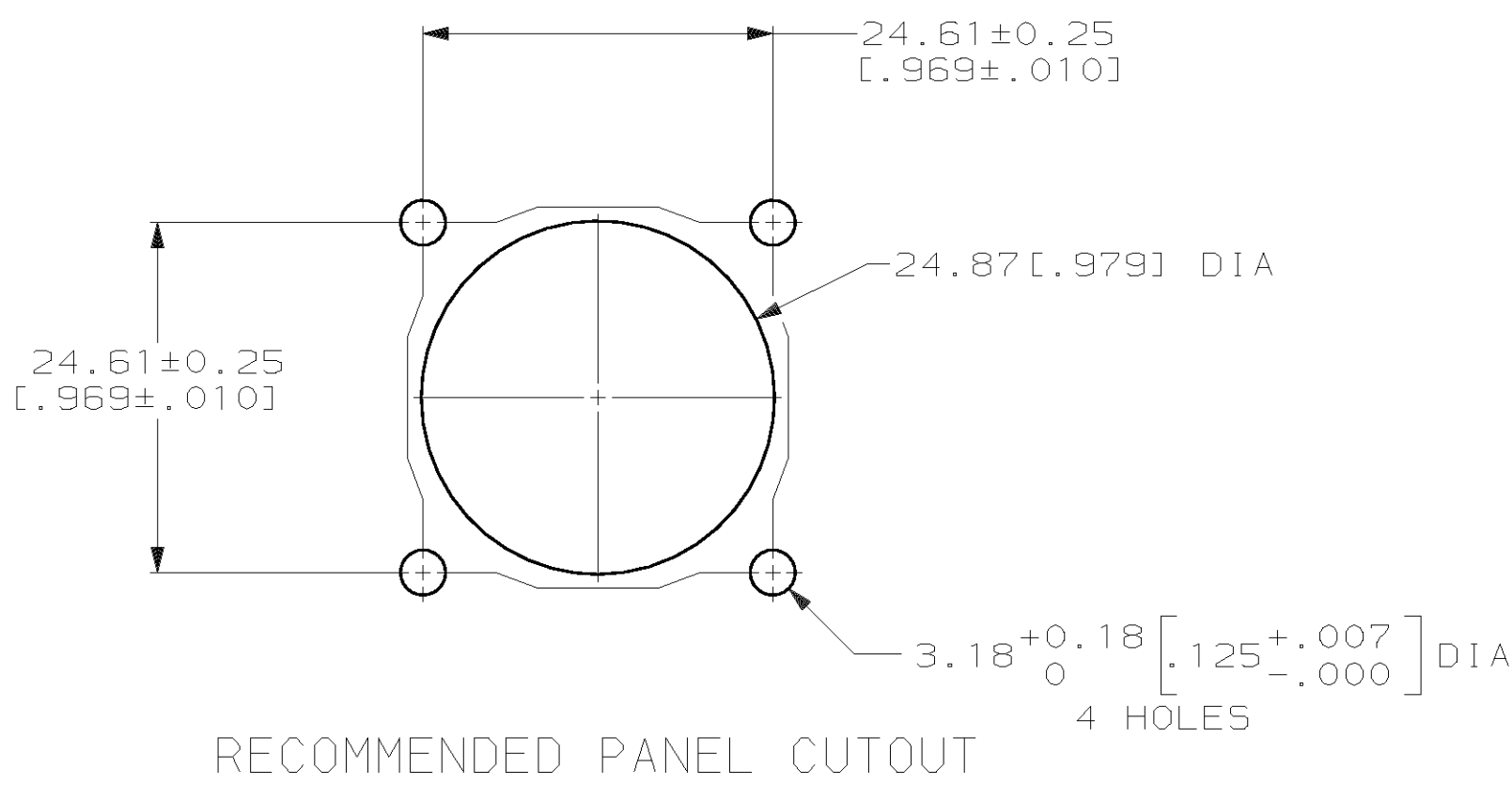
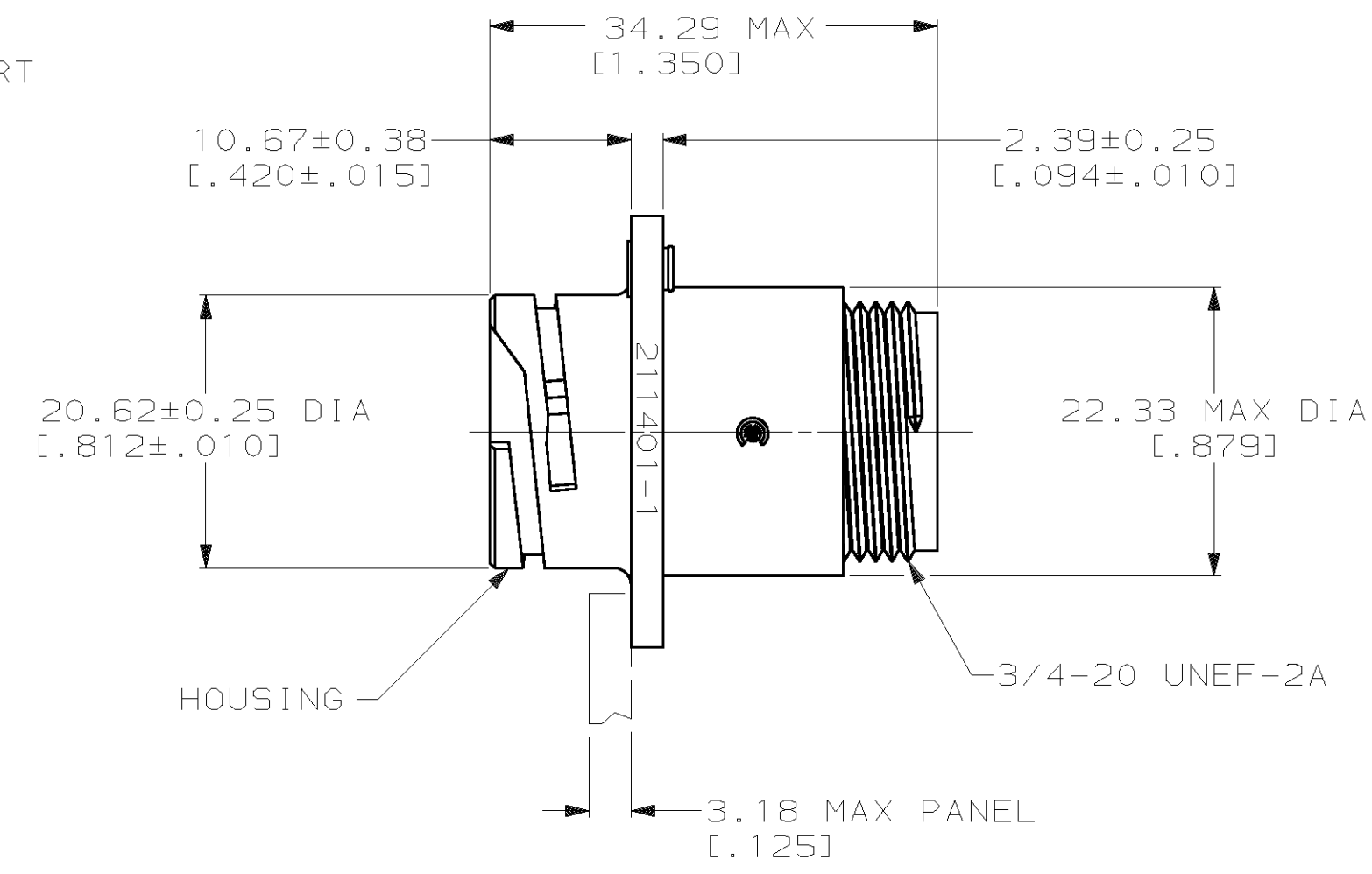
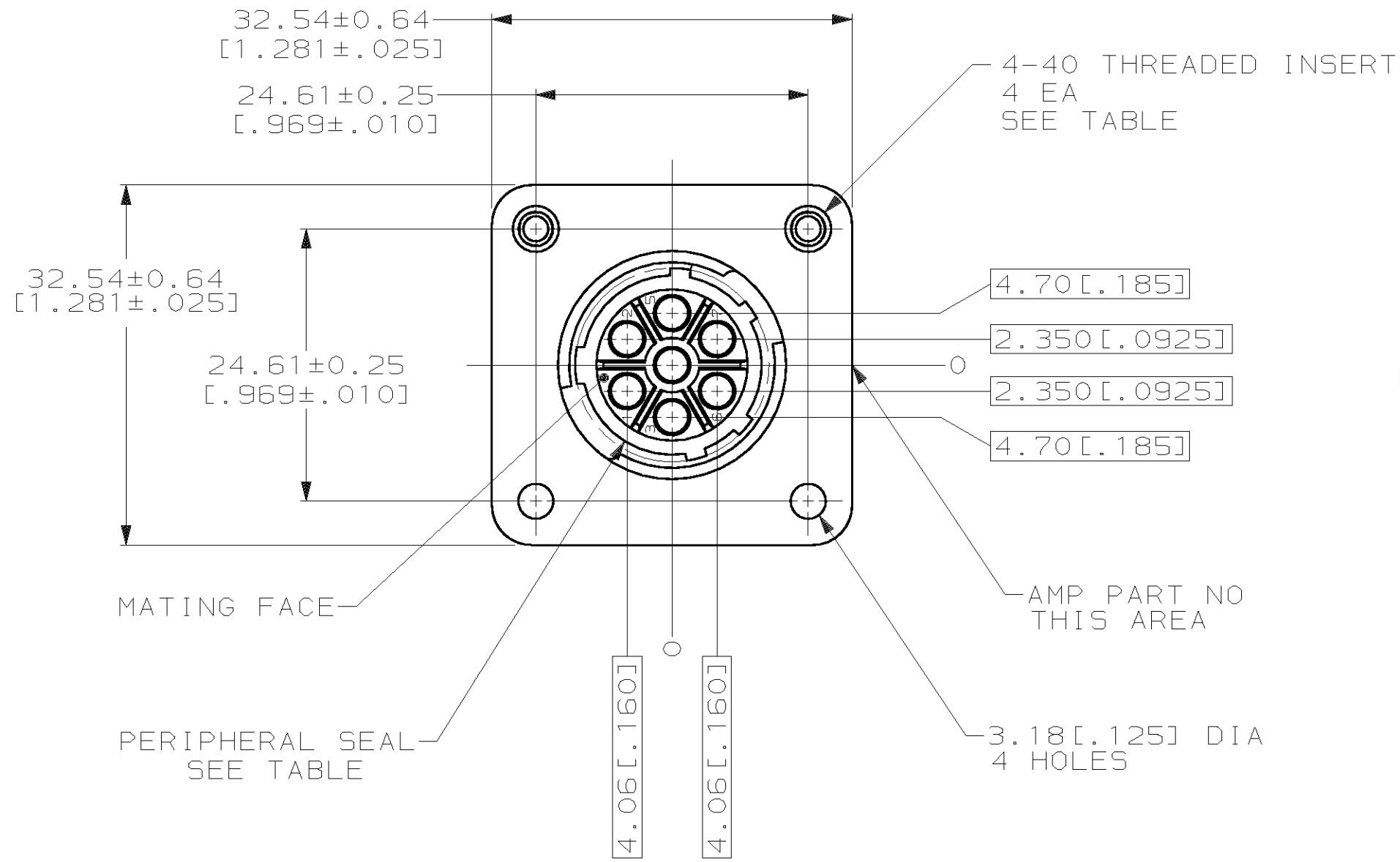


LOC	DIST	P	F	ZONE	LTR	DESCRIPTION	DATE	APPD
FT	4				A	REDRAWN W/O CHANGE PER EC 0020-677-94	08/01/94	AF
					B	ADDED -2 PER EC 0320-268-97	8-14-97	KD
					C	ADDED -3 PER EC 061C-0177-98	09 NOV 98	KD
					D	ADDED -4 PER EC 061C-87-99	23 JUN 99	RB



YES	NO	3.81 [.150]	211401-4
NO	YES	3.81 [.150]	211401-3
NO	NO	2.54 [.100]	211401-2
NO	NO	3.81 [.150]	211401-1
4-40 THREADED INSERTS	PERIPHERAL SEAL	MAX WIRE INSULATION DIA	PART NUMBER

- 1 HOUSING: THERMOPLASTIC, BLACK.
 PERIPHERAL SEAL: ELASTOMER, GRAY.
 THREADED INSERTS: BRASS.
- 2. CAVITY IDENTIFICATION ON FRONT AND REAR FACE.
- 3. WILL ACCEPT SEVEN (7) MULTIMATE PIN CONTACTS.

DO NOT SCALE PRINT. UNLESS SPECIFIED DIMENSIONS IN mm [INCHES] TOLERANCES ON: 2 PLC DEC ±0.13 [.005] 3 PLC DEC ± - ANGLES ± -	DR 08-01-94 D.HARDY CHK 08-10-94 R.STONE APPD 10-03-94 A.FRANTUM APPD 10-03-94 A.FRANTUM PRODUCT SPEC -	AMP AMP Incorporated Harrisburg, PA 17105-3608 NAME RECEPTACLE HOUSING, STANDARD SEX, 13-7, CPC	
MATERIAL 1	FINISH -	APPLICATION SPEC -	WEIGHT -
		SIZE C	CAGE CODE 00779
		DRAWING NO C=211401	SCALE 2:1
		SHEET 1 OF 1	

THIS DRAWING IS A CONTROLLED DOCUMENT FOR AMP INCORPORATED. IT IS SUBJECT TO CHANGE AND THE CONTROLLING ENGINEERING ORGANIZATION SHOULD BE CONTACTED FOR THE LATEST REVISION.