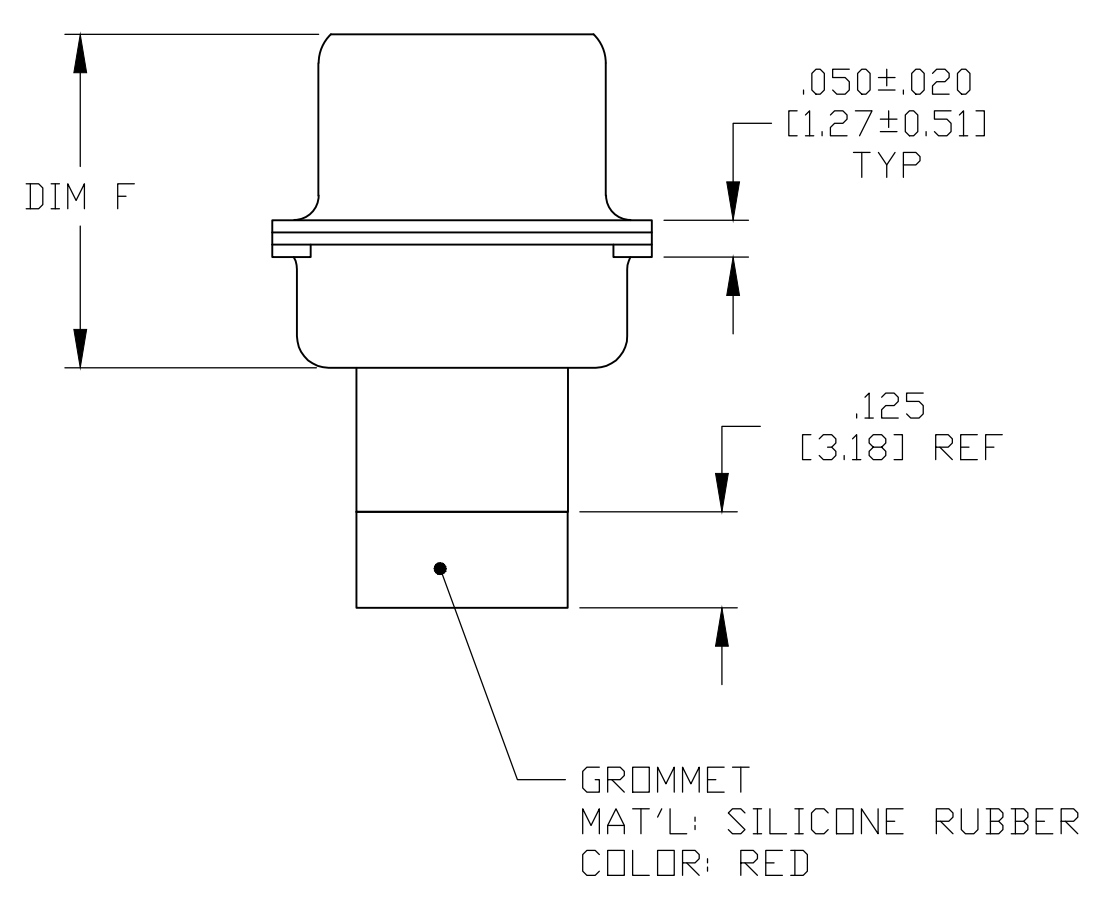
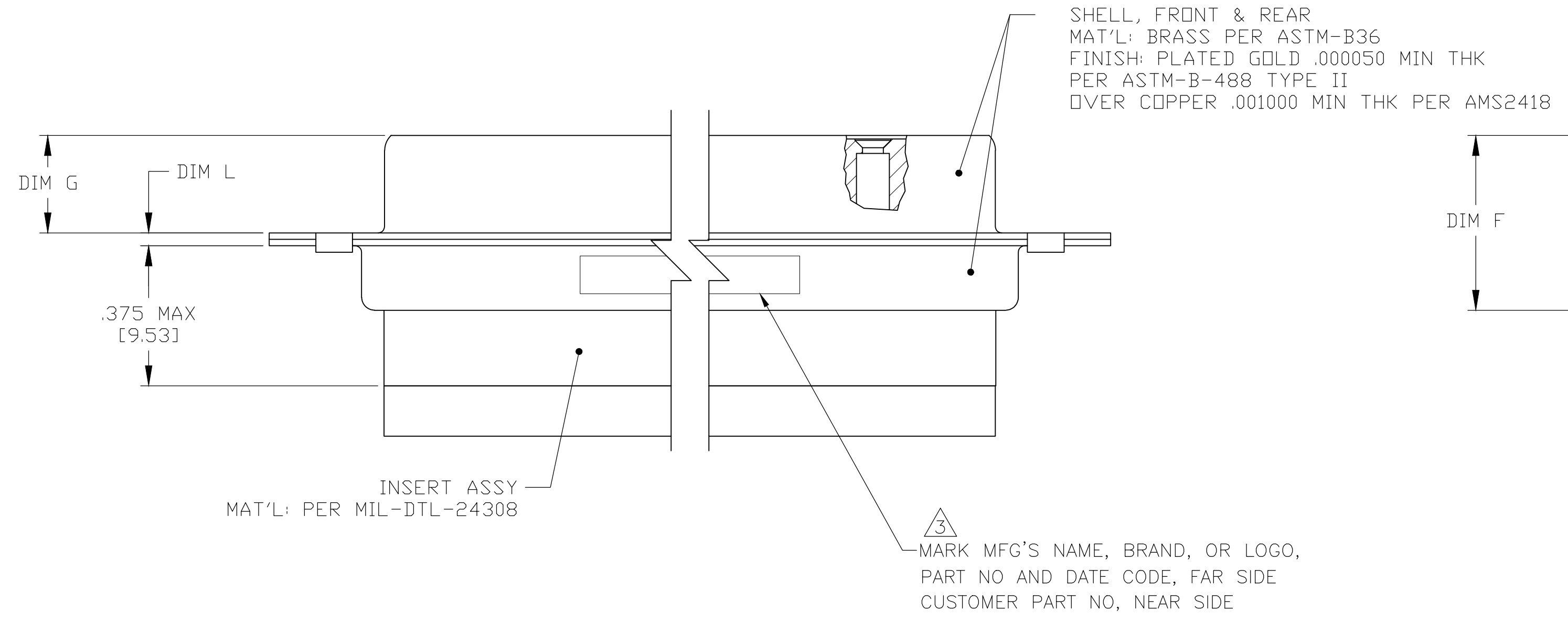
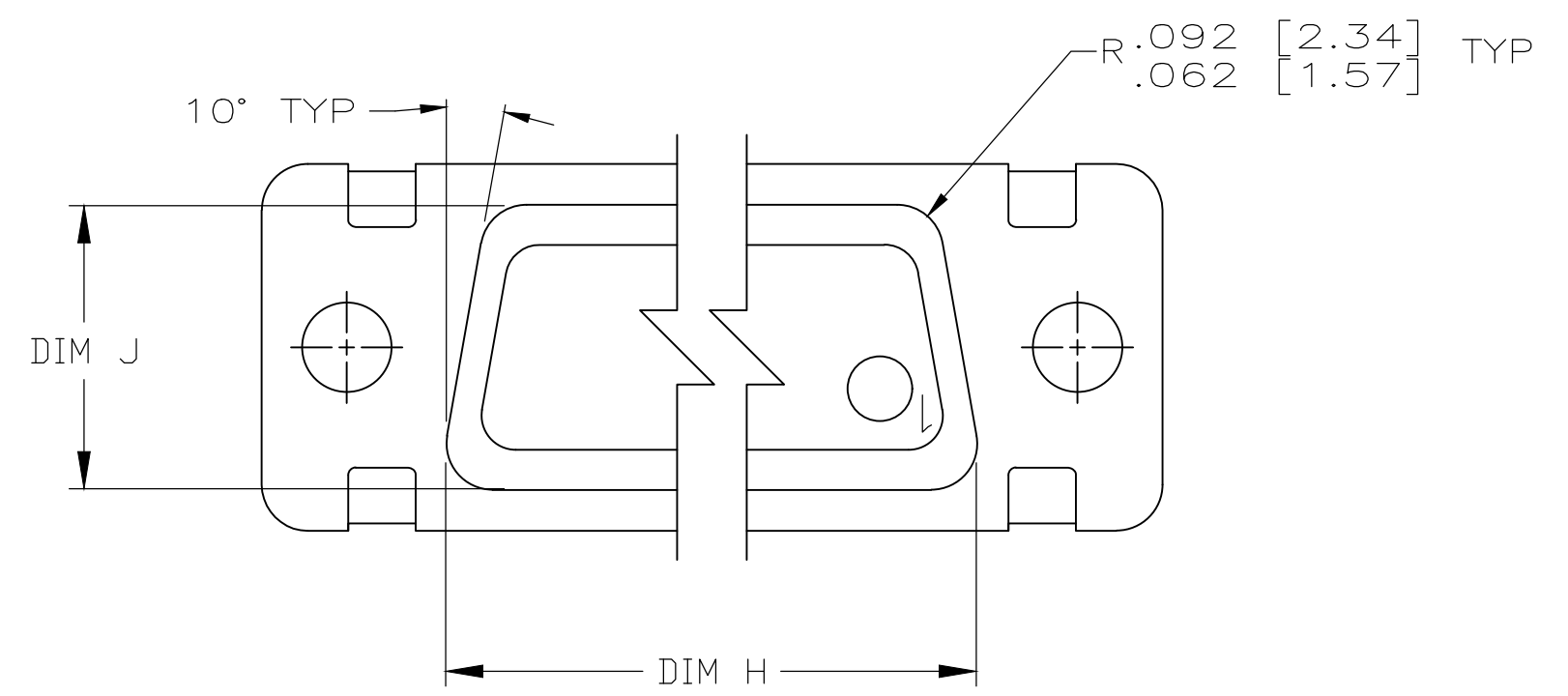
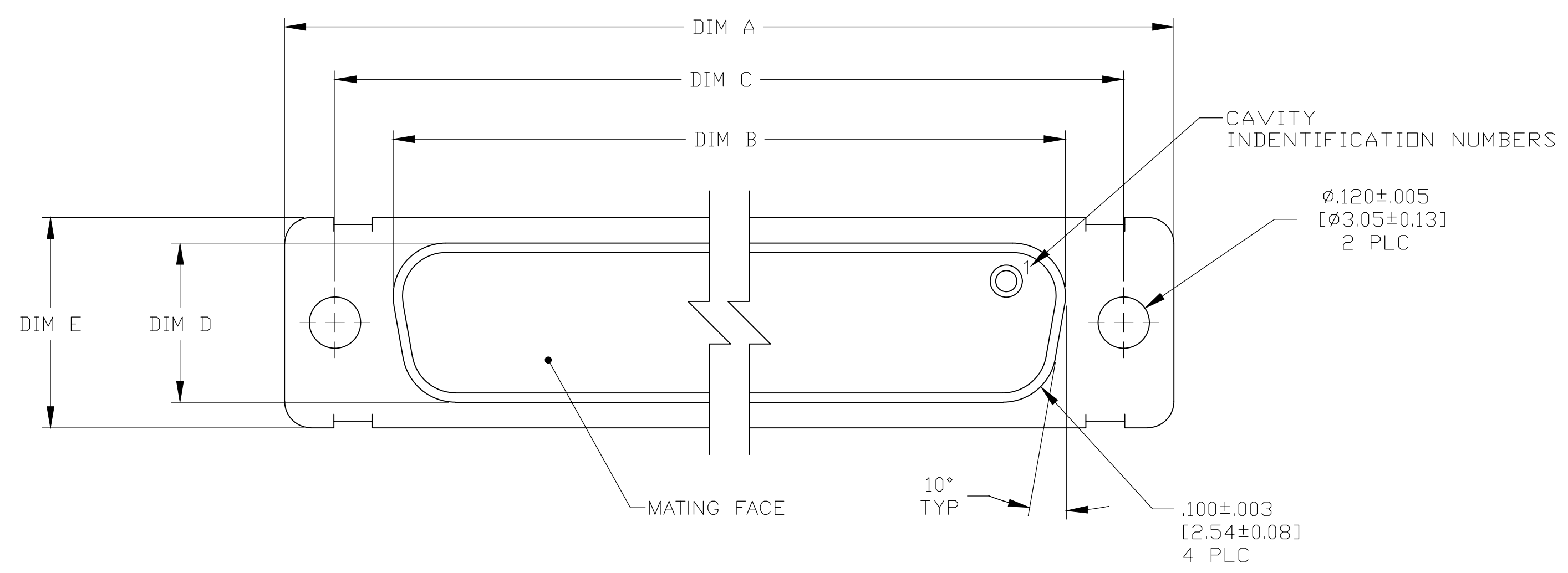


| REVISIONS | | | | | |
|-----------|-------------|-------------|---------|-----|------|
| REV | BY | DESCRIPTION | DATE | DMN | APVD |
| M | REV PER ECO | 19-000543 | 2-18-19 | CT | DM |



- THIS CONNECTOR ASSEMBLY IS SUPPLIED WITH Be Cu CONTACT RETENTION CLIPS INSTALLED IN THE INSERT ASSEMBLY.
- THIS CONNECTOR ASSEMBLY MATES WITH ANY PLUG CONNECTOR WITH THE SAME INSERT ARRANGEMENT AND DIMENSIONAL REQUIREMENTS PER MIL-C-24308.
- MARKED WITH .047 [1.19]-.062 [1.57] HIGH CHARACTERS. FAR SIDE REFERS TO THE WIDE SIDE OF THE KEYSTONE. NEAR SIDE REFERS TO THE NARROW SIDE OF THE KEYSTONE.
- MAXIMUM WIRE INSULATION TO BE USED WITH THIS CONNECTOR ASSEMBLY IS .068 [1.73] DIAMETER.
- SPECIAL REQUIREMENTS PER BOEING 1A01 DOCUMENT.
- BUILT TO ORDER, NO INVENTORY OF THIS PART NUMBER IS TO BE KEPT. SINGLE LOT DATE CODE REQUIRED.

| | | | | | | | | | | | | | | | |
|---------|------------------|-------------|--------------|---------------|-------------|--------------|--------------|-------------|---------------|--------------|---------------|--------------------|-----------|------------|-------------|
| | 1A01-022RHW | .040 [1.02] | .432 [10.97] | 1.093 [27.76] | .248 [6.30] | .439 [11.15] | .509 [12.93] | .316 [8.03] | 1.317 [33.45] | .976 [24.79] | 1.556 [39.52] | MS18274-1 | 15 | 2 | 1-211634-1 |
| -- | --- | .020 [0.51] | .412 [10.46] | 1.073 [27.25] | .238 [6.05] | .419 [10.64] | .479 [12.17] | .306 [7.77] | 1.307 [33.20] | .966 [24.54] | 1.526 [38.76] | MS18274-1 | 15 | 2 | 211634-4 |
| | 1A01-022 | .040 [1.02] | .432 [10.97] | 1.093 [27.76] | .248 [6.30] | .439 [11.15] | .509 [12.93] | .316 [8.03] | 1.317 [33.45] | .976 [24.79] | 1.556 [39.52] | MS18274-1 | 15 | 2 | 211634-1 |
| REMARKS | CUSTOMER MARKING | L | J | H | G | F | E | D | C | B | A | INSERT ARRANGEMENT | NO OF POS | SHELL SIZE | PART NUMBER |

THIS DRAWING IS A CONTROLLED DOCUMENT.

DMN: C.C. THOMAS 3-26-07
 CHK: D. MILLER 3-27-07
 APVD: D. MILLER 3-27-07

NAME: RECEPTACLE ASSEMBLY, AMPLIMITE, 15 POSITION, SIZE 2, SERIES 109, NON-MAGNETIC

PRODUCT SPEC: --
 APPLICATION SPEC: --

WEIGHT: 0.000000
 CUSTOMER DRAWING

SCALE: 4:1
 SHEET: 1 OF 1
 REV: M