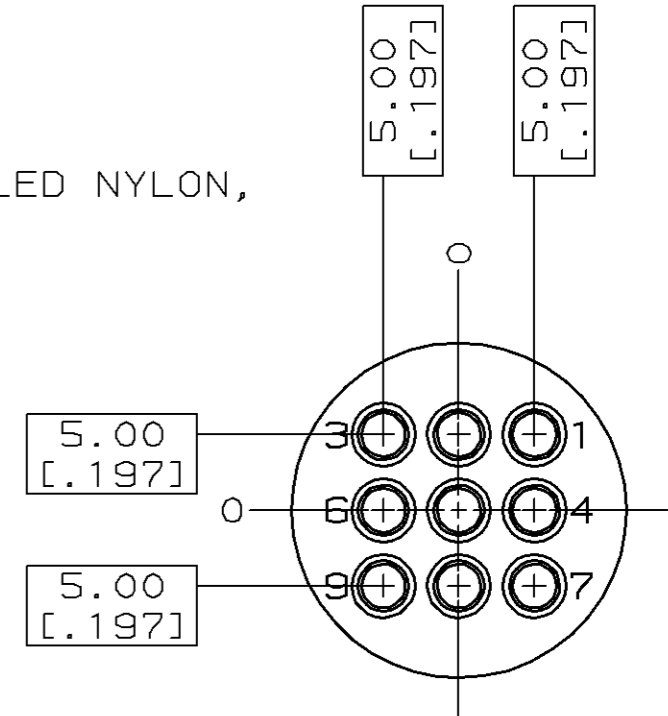
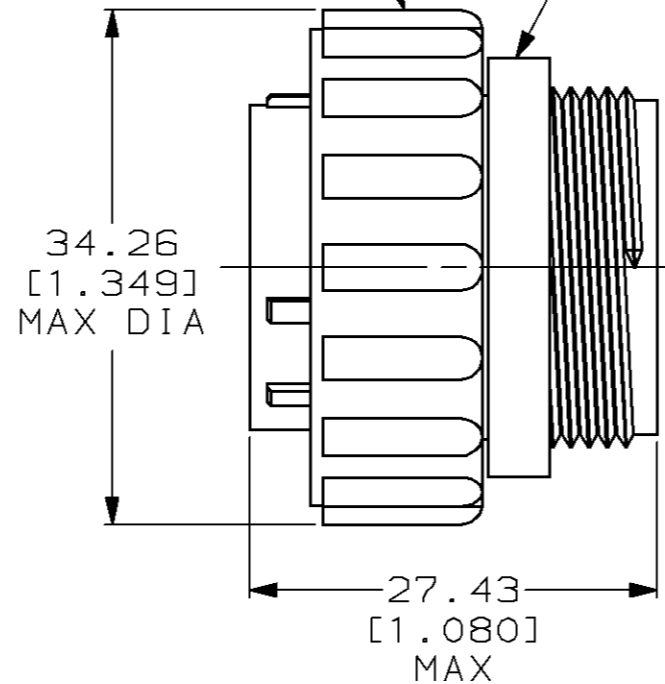
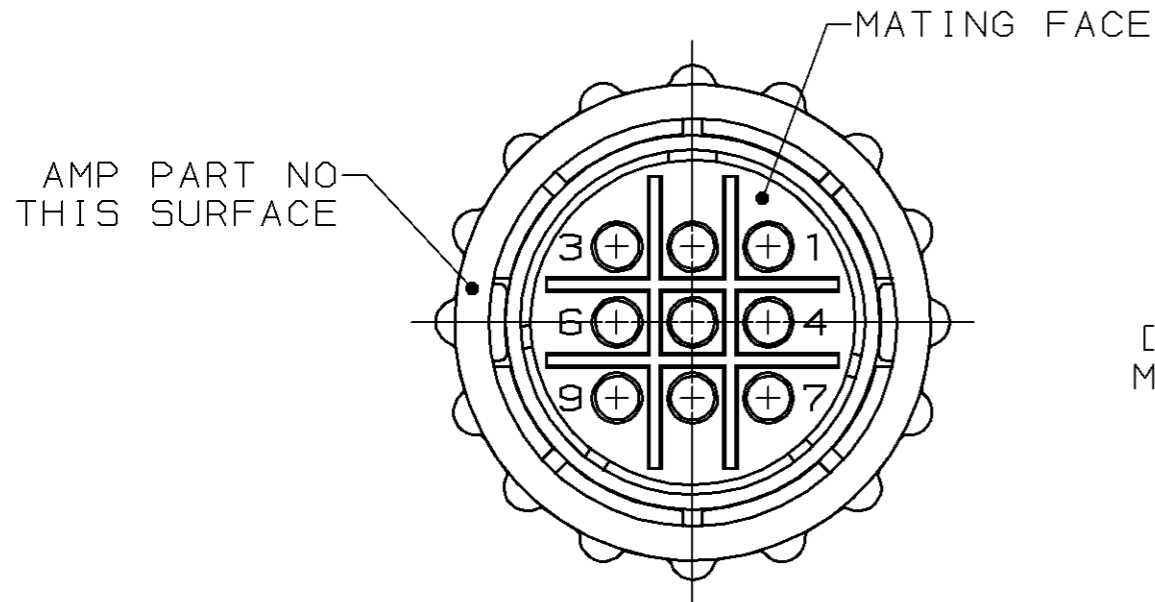


THIS DRAWING IS UNPUBLISHED. RELEASED FOR PUBLICATION, 19 .  
 © COPYRIGHT 19 BY AMP INCORPORATED. ALL INTERNATIONAL RIGHTS RESERVED.

LOC	DIST	P	F	REVISIONS				
				ZONE	LTR	DESCRIPTION	DATE	APPD
FT	4				A	REDRAWN W/O CHANGE PER EC 0020-677-94	06/29/94	AF
					B	REV PER EC 0020-568-95	19 JUL 95	AF
					C	REV PER EC 0320-244-97	06 OCT 97	KD

COUPLING RING  
 MATERIAL: POLYESTER, BLACK

PLUG HOUSING  
 MATERIAL: GLASS FILLED NYLON,  
 6/6, BLACK



MATING FACE  
 CONFIGURATION

- CONTACT CAVITIES IDENTIFIED BY CHARACTERS ON FRONT AND REAR FACES OF CONNECTOR.
- THIS PART WILL ACCEPT 9 MULTIMATE SOCKET CONTACTS.

211766-1

PART NO

DO NOT SCALE PRINT, UNLESS SPECIFIED  
 DIMENSIONS IN mm [INCHES]  
 TOLERANCES ON:  
 2 PLC DEC ± -  
 3 PLC DEC ± -  
 ANGLES ± -

MATERIAL  
 SEE  
 CALLOUTS

FINISH  
 -

DR 06/29/94

K.FOLTZ

CHK 06/30/94

R.STONE

APPD 10/3/94

A.FRANTUM

APPD 10/3/94

A.FRANTUM

PRODUCT SPEC

-

APPLICATION SPEC

-

WEIGHT -

**AMP**

AMP Incorporated  
 Harrisburg, PA 17105-3608

NAME

PLUG ASSY, SPECIAL VDE, CLASS A,  
 STD SEX, ARRANGEMENT 17-9, CPC

SIZE  
**B**

CAGE CODE  
 00779

DRAWING NO  
**C-211766**

SCALE  
 2:1

SHEET  
 1 OF 1

THIS DRAWING IS A CONTROLLED DOCUMENT FOR AMP INCORPORATED. IT IS SUBJECT TO CHANGE AND THE CONTROLLING ENGINEERING ORGANIZATION SHOULD BE CONTACTED FOR THE LATEST REVISION.