

211766-1 Product Details



211766-1

TE Internal Number: 211766-1



CPC (Circular Plastic) and Circular Metal-Shell Connectors

 Always EU RoHS/ELV Compliant (Statement of Compliance)

Product Highlights:

- Housing
- Connector Style = Plug
- 9 Positions
- 9 Signal Positions
- 0 Power Positions

Documentation & Additional Information

Product Drawings:

- [PLUG ASSY, SPECIAL VDE, CLASS A, STD SEX, ARRANGEME...](#) (PDF, English)

Catalog Pages/Data Sheets:

- [AMP Circular Connectors for Commercial Signal & Powe...](#) (PDF, English)

Product Specifications:

- None Available

Application Specifications:

- [Circular Plastic Connectors \(CPC\)](#) (PDF, English)

Instruction Sheets:

- None Available

CAD Files: (CAD Format & Compression Information)

- [2D Drawing](#) (DXF, Version C)
- [3D Model](#) (IGES, Version C)
- [3D Model](#) (STEP, Version C)

Additional Product Images:

- [Contact Arrangement](#)
- [Keying Options](#)

Related Products:

- [Tooling](#)
- [Mating Products \(4\)](#)

Product Features (Please use the Product Drawing for all design activity)

Product Type Features:

- Connector Type = Housing
- Mount Angle = Straight
- Shell Size = 17
- Shell Type = All Plastic
- Product Series = Series 1
- Thread Size = 15/16-20 UNEF-2A
- Sealed = No

Mechanical Attachment:

- Mount = Free Hanging
- Mating Retention Type = Threaded Coupling

Contact Features:

- Contact Type = Socket
- Reverse Gender = Standard

Housing Features:

- Connector Style = Plug
- Mating Alignment Type = Keyed
- Housing Material = Thermoplastic - GF
- Housing Color = Black
- UL Flammability Rating = UL 94V-0

Configuration Features:

- Number of Positions = 9
- Number of Signal Positions = 9
- Number of Power Positions = 0
- Environmental Protection = Without
- Reverse Numbering = Without

Industry Standards:

- VDE Tested = Yes
- RoHS/ELV Compliance = RoHS compliant, ELV compliant
- Lead Free Solder Processes = Not relevant for lead free process
- RoHS/ELV Compliance History = Always was RoHS compliant

Identification Marking:

- Keying = A

Environmental:

- Fluid Resistance = None

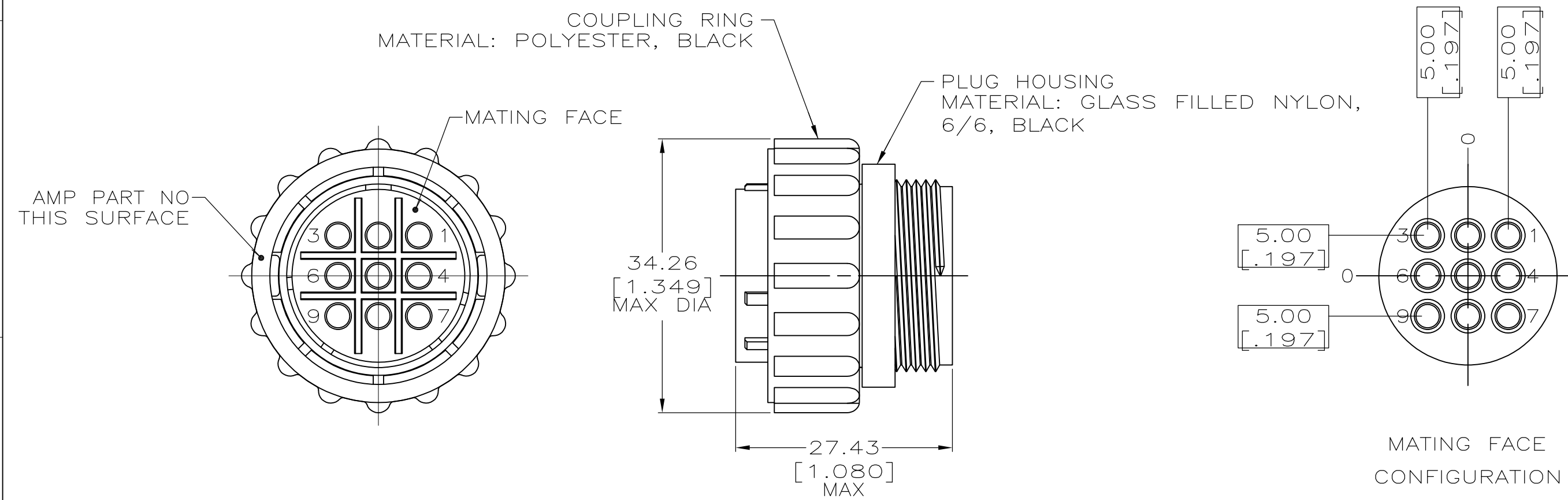
Conditions for Usage:

- Accepts Wire Insulation Diameter, Range (mm [in]) = 3.81 [0.150]

Other:

- Brand = AMP

LOC	DIST	REVISIONS					
FT	4	P	LTR	DESCRIPTION	DATE	DWN	APVD
		C1		REVISED PER ECO-11-004820	11MAR11	RK	HMR



- CONTACT CAVITIES IDENTIFIED BY CHARACTERS ON FRONT AND REAR FACES OF CONNECTOR.
- THIS PART WILL ACCEPT 9 MULTIMATE SOCKET CONTACTS.

211766-1
PART NO

THIS DRAWING IS A CONTROLLED DOCUMENT.		DWN K.FOLTZ 06/29/94		
		CHK R.STONE 06/30/94		
DIMENSIONS: mm [INCHES]		APVD A.FRANTUM 10/3/94	NAME PLUG ASSY, SPECIAL VDE, CLASS A, STD SEX, ARRANGEMENT 17-9, CPC	
		PRODUCT SPEC -	RESTRICTED TO -	
TOLERANCES UNLESS OTHERWISE SPECIFIED: 0 PLC ± - 1 PLC ± - 2 PLC ± - 3 PLC ± - 4 PLC ± - ANGLES ± -		APPLICATION SPEC -	SIZE A3	CAGE CODE 00779
MATERIAL SEE CALLOUTS		FINISH -	DRAWING NO C-211766	SCALE 2:1
		WEIGHT -	SHEET 1 of 1	REV C1
CUSTOMER DRAWING				