

Distributed by:

JAMECO[®]
ELECTRONICS

www.Jameco.com ♦ 1-800-831-4242

The content and copyrights of the attached
material are the property of its owner.

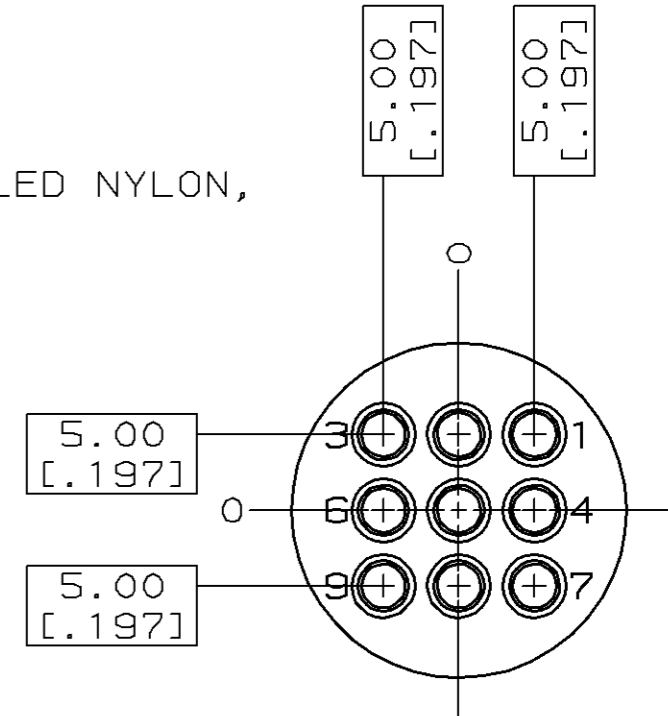
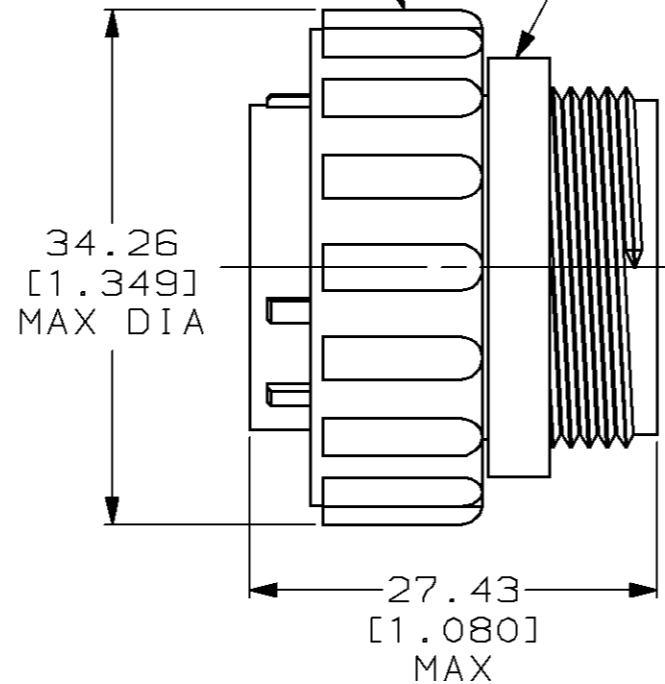
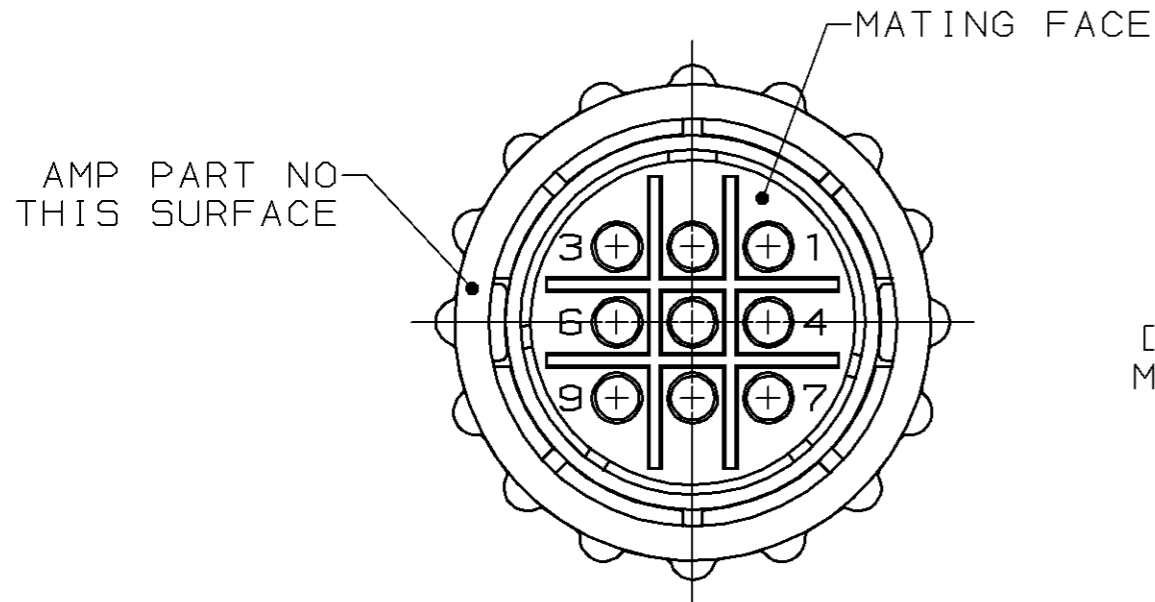
Jameco Part Number 495111

THIS DRAWING IS UNPUBLISHED. RELEASED FOR PUBLICATION, 19 .
 © COPYRIGHT 19 BY AMP INCORPORATED. ALL INTERNATIONAL RIGHTS RESERVED.

LOC	DIST	P	F	REVISIONS				
				ZONE	LTR	DESCRIPTION	DATE	APPD
FT	4				A	REDRAWN W/O CHANGE PER EC 0020-677-94	06/29/94	AF
					B	REV PER EC 0020-568-95	19 JUL 95	AF
					C	REV PER EC 0320-244-97	06 OCT 97	KD

COUPLING RING
 MATERIAL: POLYESTER, BLACK

PLUG HOUSING
 MATERIAL: GLASS FILLED NYLON,
 6/6, BLACK



MATING FACE
 CONFIGURATION

- CONTACT CAVITIES IDENTIFIED BY CHARACTERS ON FRONT AND REAR FACES OF CONNECTOR.
- THIS PART WILL ACCEPT 9 MULTIMATE SOCKET CONTACTS.

211766-1

PART NO

DO NOT SCALE PRINT, UNLESS SPECIFIED
 DIMENSIONS IN mm [INCHES]
 TOLERANCES ON:
 2 PLC DEC ± -
 3 PLC DEC ± -
 ANGLES ± -

MATERIAL
 SEE
 CALLOUTS

FINISH
 -

DR 06/29/94
 K.FOLTZ

CHK 06/30/94
 R.STONE

APPD 10/3/94
 A.FRANTUM

APPD 10/3/94
 A.FRANTUM

PRODUCT SPEC
 -

APPLICATION SPEC
 -

WEIGHT -

AMP

AMP Incorporated
 Harrisburg, PA 17105-3608

NAME
 PLUG ASSY, SPECIAL VDE, CLASS A,
 STD SEX, ARRANGEMENT 17-9, CPC

SIZE **B** CAGE CODE 00779 DRAWING NO **C-211766**

SCALE 2:1 SHEET 1 OF 1

THIS DRAWING IS A CONTROLLED DOCUMENT FOR AMP INCORPORATED. IT IS SUBJECT TO CHANGE AND THE CONTROLLING ENGINEERING ORGANIZATION SHOULD BE CONTACTED FOR THE LATEST REVISION.