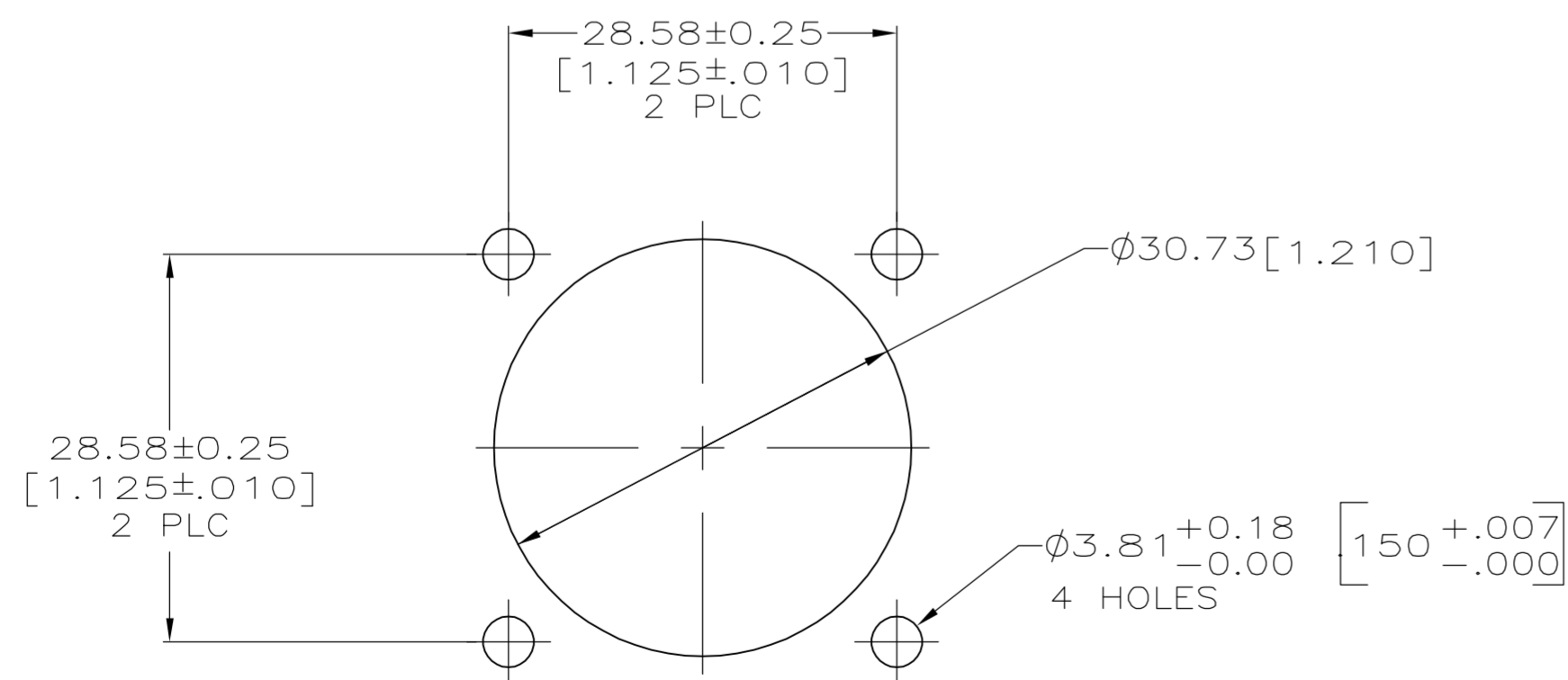
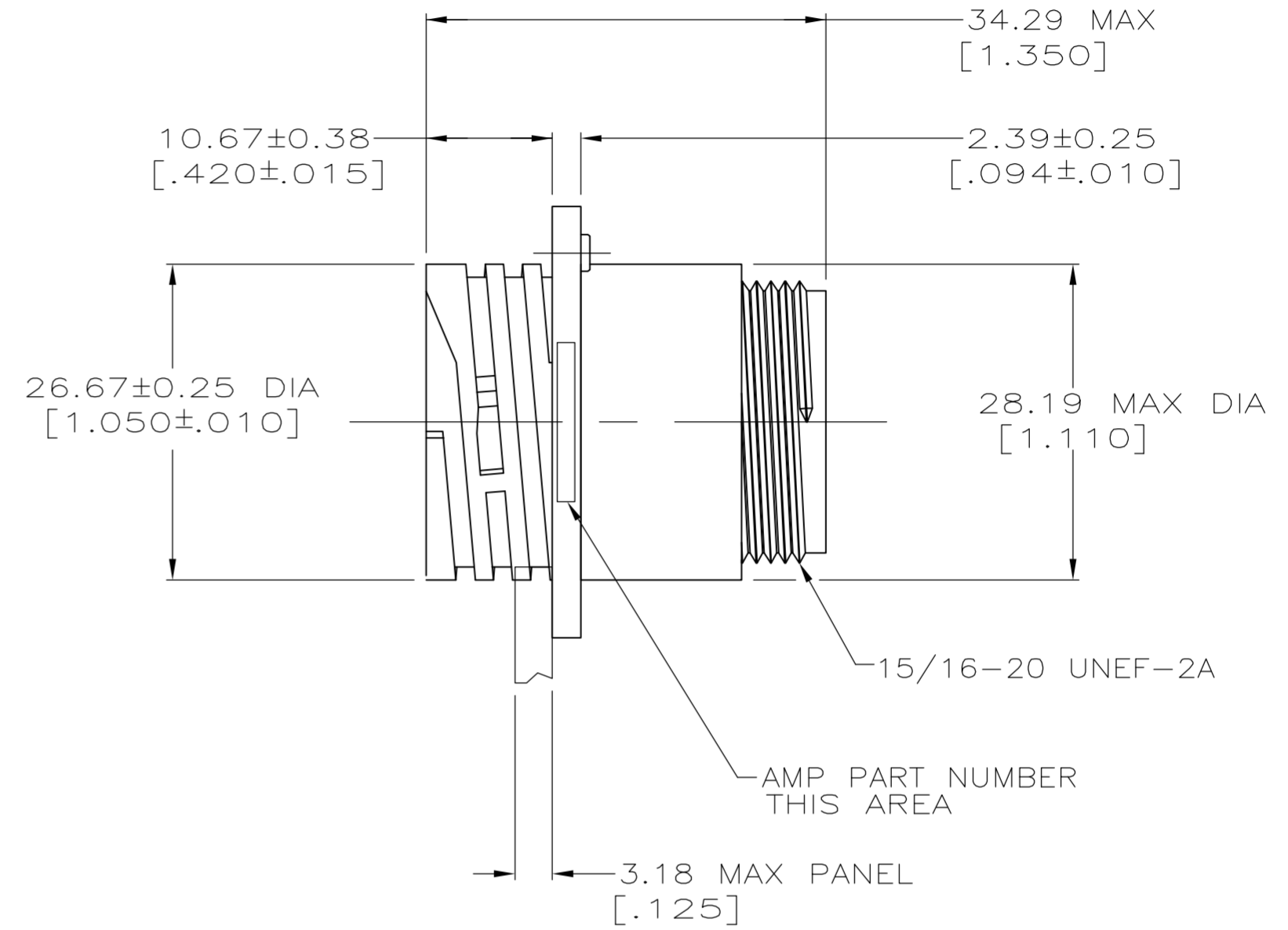
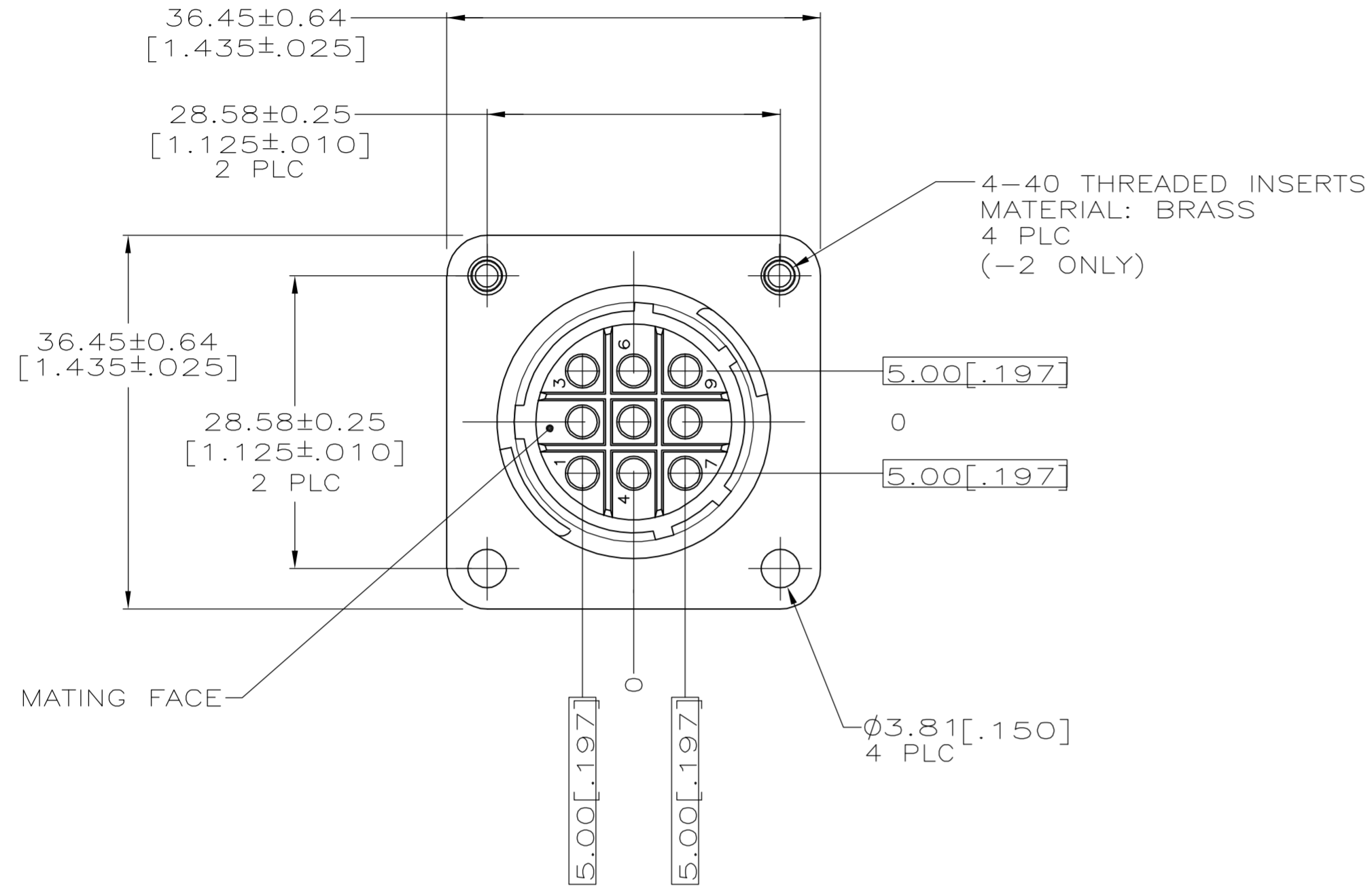


THIS DRAWING IS UNPUBLISHED. RELEASED FOR PUBLICATION  
 © COPYRIGHT BY TYCO ELECTRONICS CORPORATION. ALL RIGHTS RESERVED.

LOC		DIST		REVISIONS			
P	LTR	DESCRIPTION		DATE	DWN	APVD	
FT	0	D		REVISED PER ECO-05-14855	2/23/06	SS SH	



RECOMMENDED PANEL CUTOUT

- ① HOUSING: NYLON, BLACK. THREADED INSERTS: BRASS
- 2. CAVITY IDENTIFICATION ON FRONT AND REAR FACE.
- 3. WILL ACCEPT NINE (9) MULTIMATE PIN CONTACTS.

YES	211767-3
YES	211767-2
NO	211767-1
4-40 THREADED INSERTS	PART NUMBER

DIMENSIONS:		TOLERANCES UNLESS OTHERWISE SPECIFIED:		DWN		CHK		APVD		PRODUCT SPEC		APPLICATION SPEC		MATERIAL		FINISH		WEIGHT		CUSTOMER DRAWING	
INCHES				D.BROCKWAY 09-28-94		R.STONE 09-30-94															
0 PLC ± -		1 PLC ± -		2 PLC ± 0.13 [.005]		3 PLC ± -		4 PLC ± -		ANGLES ± -											
SCALE		SHEET		REV		SIZE		CAGE CODE		DRAWING NO		RESTRICTED TO									
2:1		1 of 1		D		A2 00779		C=211767													