

## 211767-1 Product Details



**211767-1**

TE Internal Number: 211767-1



### CPC (Circular Plastic) and Circular Metal-Shell Connectors

 Always EU RoHS/ELV Compliant (Statement of Compliance)

#### Product Highlights:

- Housing
- Connector Style = Receptacle
- 9 Positions
- 9 Signal Positions
- 0 Power Positions

### Documentation & Additional Information

#### Product Drawings:

- [RCPT HSG, STD SEX, VDE, SHELL SIZE 17, CPC](#) (PDF, English)

#### Catalog Pages/Data Sheets:

- [AMP Circular Connectors for Commercial Signal & Powe...](#) (PDF, English)

#### Product Specifications:

- None Available

#### Application Specifications:

- [Circular Plastic Connectors \(CPC\)](#) (PDF, English)

#### Instruction Sheets:

- None Available

#### CAD Files: (CAD Format & Compression Information)

- [2D Drawing](#) (DXF, Version D)
- [3D Model](#) (IGES, Version D)
- [3D Model](#) (STEP, Version D)

#### Additional Product Images:

- [Contact Arrangement](#)
- [Keying Options](#)

#### Related Products:

- [Tooling](#)
- [Mating Products \(1\)](#)

### Product Features (Please use the Product Drawing for all design activity)

#### Product Type Features:

- Connector Type = Housing
- Mount Angle = Straight
- Shell Size = 17
- PCB Mount Retention = Without
- Shell Type = All Plastic
- Product Series = Series 1
- Thread Size = 15/16-20 UNEF-2A
- Sealed = No

#### Mechanical Attachment:

- Mount = Panel
- Mating Retention Type = Threaded Coupling

#### Body Features:

- Mount Style = Flange with Mounting Holes

#### Contact Features:

- Contact Type = Pin
- Reverse Gender = Standard

#### Housing Features:

- Connector Style = Receptacle
- Mating Alignment Type = Keyed
- Housing Material = Thermoplastic - GF
- Housing Color = Black
- UL Flammability Rating = UL 94V-0

#### Configuration Features:

- Number of Positions = 9
- Number of Signal Positions = 9
- Number of Power Positions = 0
- Environmental Protection = Without
- Reverse Numbering = Without

#### Industry Standards:

- VDE Tested = Yes
- RoHS/ELV Compliance = RoHS compliant, ELV compliant
- Lead Free Solder Processes = Not relevant for lead free process
- RoHS/ELV Compliance History = Always was RoHS compliant

#### Identification Marking:

- Keying = A

#### Environmental:

- Fluid Resistance = None

#### Conditions for Usage:

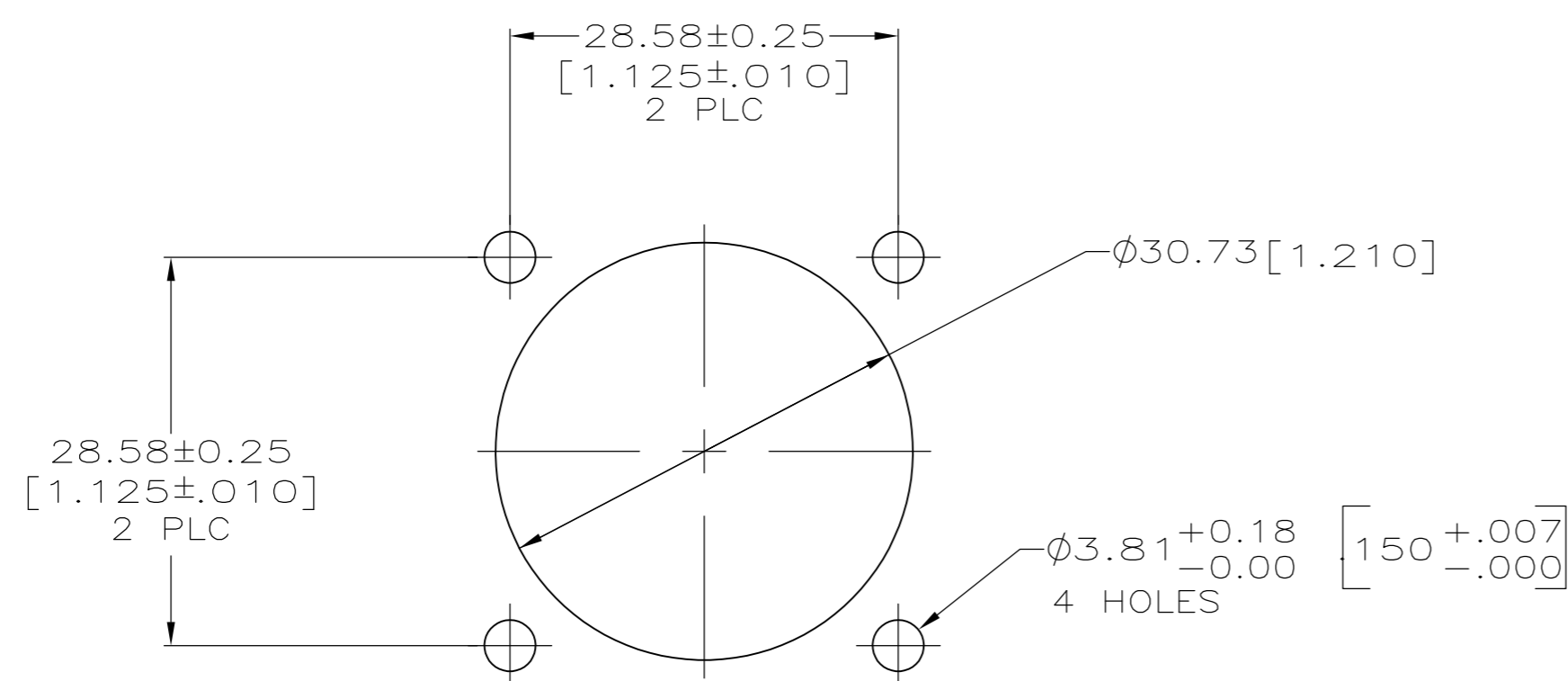
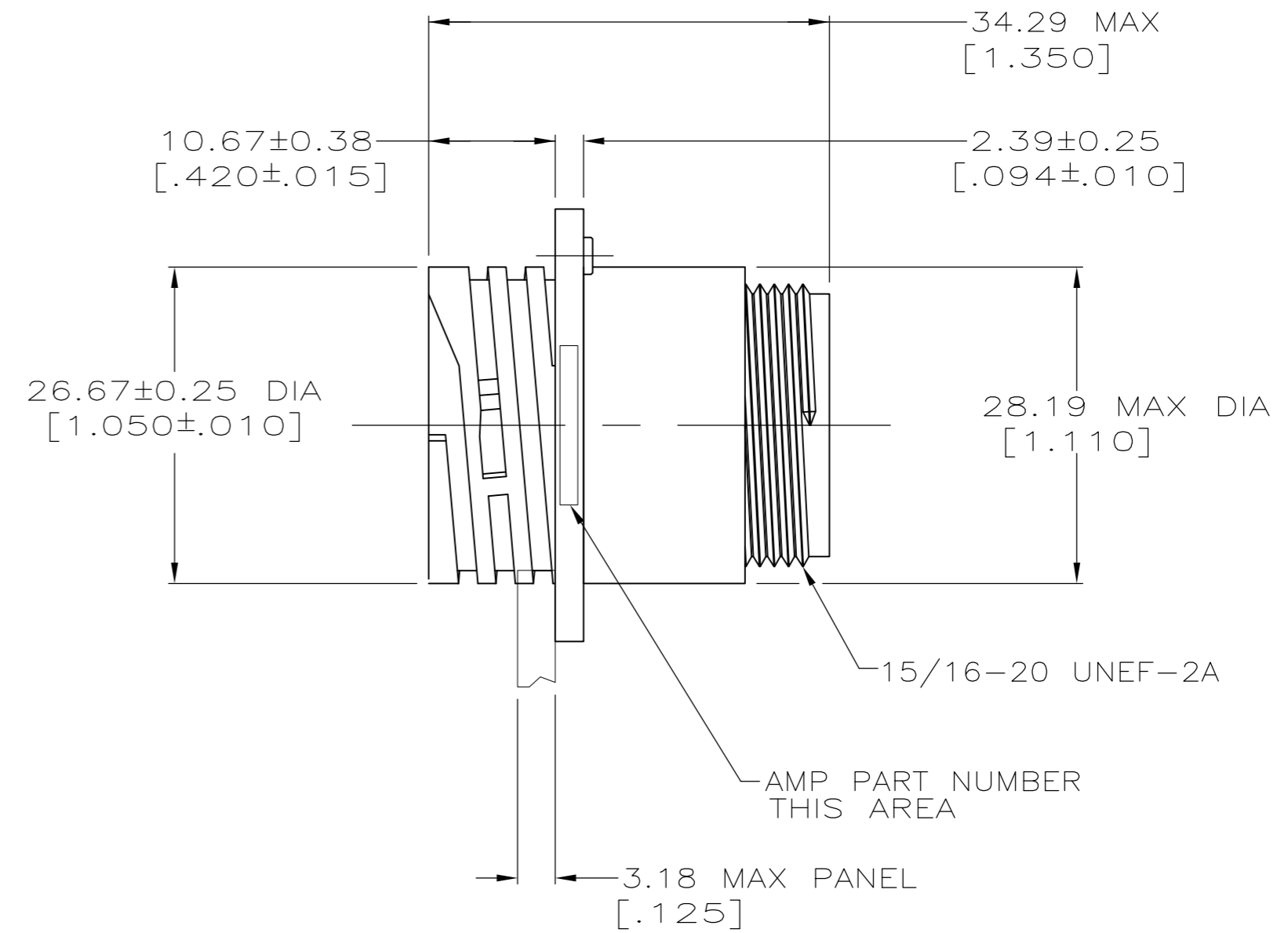
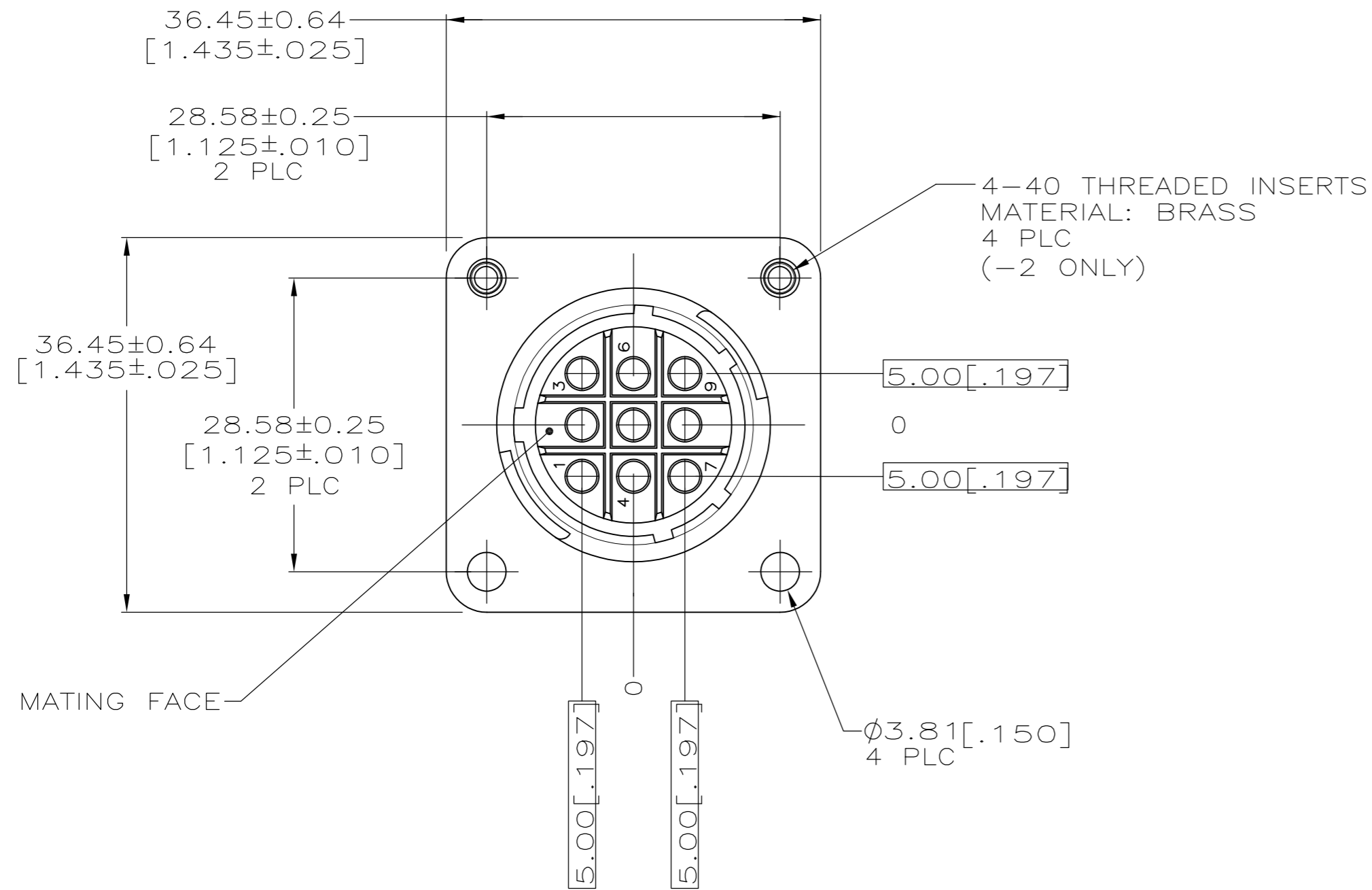
- Accepts Wire Insulation Diameter, Range (mm [in]) = 3.81 [0.150]

#### Other:

- Brand = AMP

THIS DRAWING IS UNPUBLISHED. RELEASED FOR PUBLICATION  
 © COPYRIGHT - By - ALL RIGHTS RESERVED.

LOC		DIST		REVISIONS			
P	LTR	DESCRIPTION		DATE	DWN	APVD	
FT	0	D1	REVISED PER ECO-11-004587		11MAR11	RK	HMR



RECOMMENDED PANEL CUTOUT

- 1. HOUSING: NYLON, BLACK.  
THREADED INSERTS: BRASS
- 2. CAVITY IDENTIFICATION ON FRONT AND REAR FACE.
- 3. WILL ACCEPT NINE (9) MULTIMATE PIN CONTACTS.

YES	211767-3
YES	211767-2
NO	211767-1
4-40 THREADED INSERTS	PART NUMBER

THIS DRAWING IS A CONTROLLED DOCUMENT.		DWN D.BROCKWAY 09-28-94	TE Connectivity	
DIMENSIONS: INCHES		CHK R.STONE 09-30-94	RCPT HSG, STD SEX, VDE, SHELL SIZE 17, CPC	
TOLERANCES UNLESS OTHERWISE SPECIFIED:		APVD -	NAME	
0 PLC ± -		PRODUCT SPEC -	SIZE CAGE CODE DRAWING NO RESTRICTED TO	
1 PLC ± -		APPLICATION SPEC -	A2 00779 C=211767	
2 PLC ± 0.13 [.005]		WEIGHT -	SCALE 2:1 SHEET 1 of 1 REV D1	
3 PLC ± -		CUSTOMER DRAWING		
4 PLC ± -				
ANGLES ± -				
FINISH -				