

Distributed by:

**JAMECO**<sup>®</sup>  
ELECTRONICS

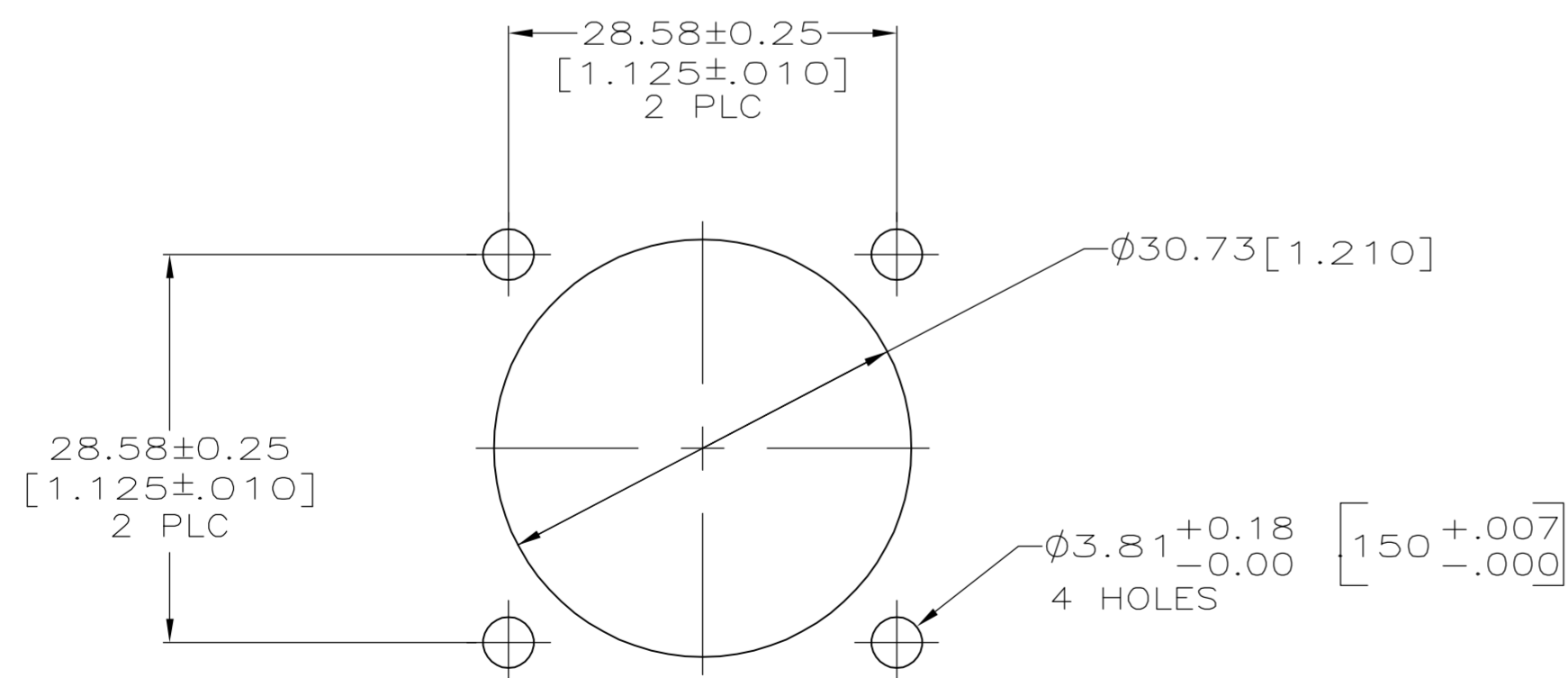
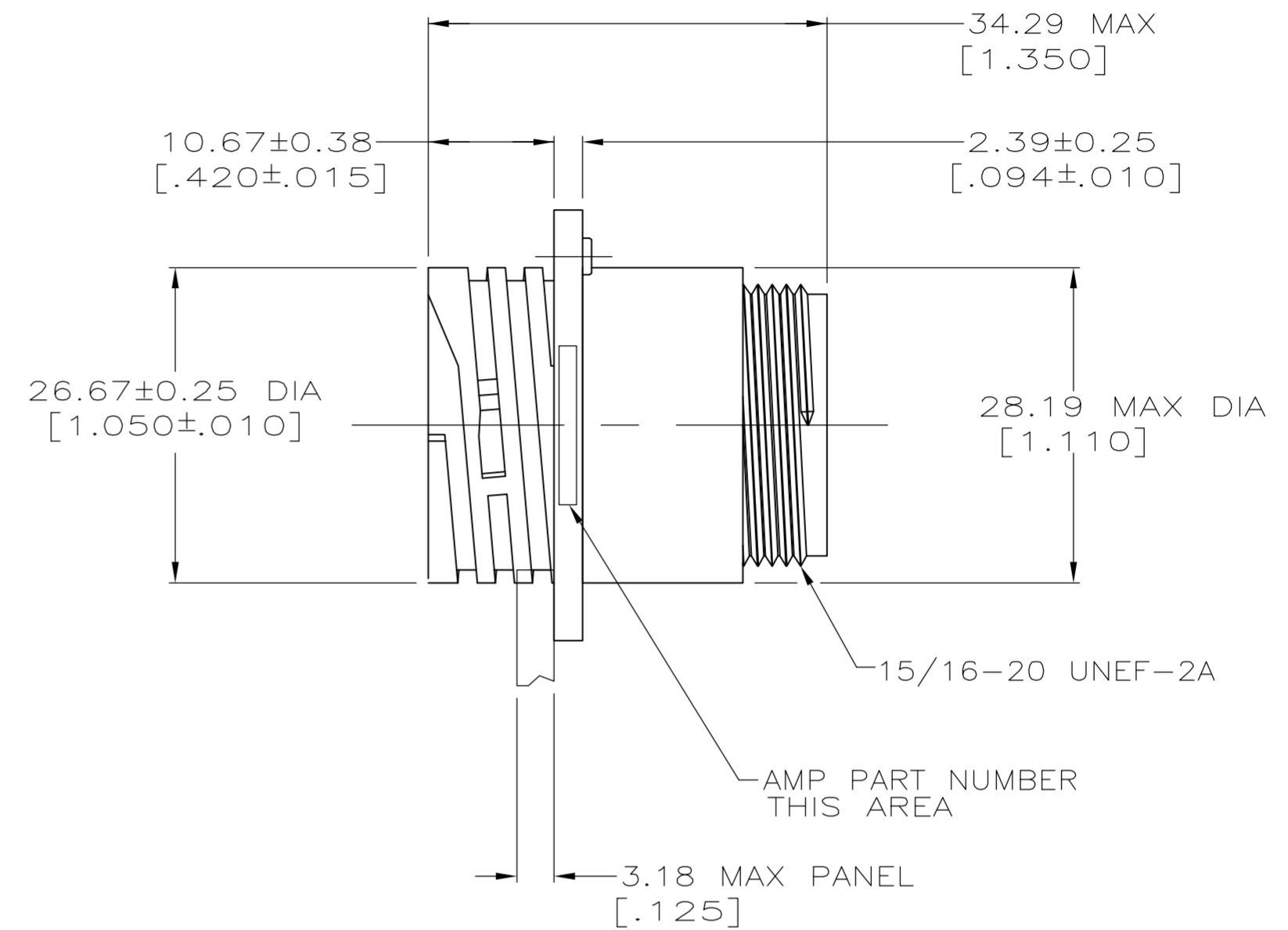
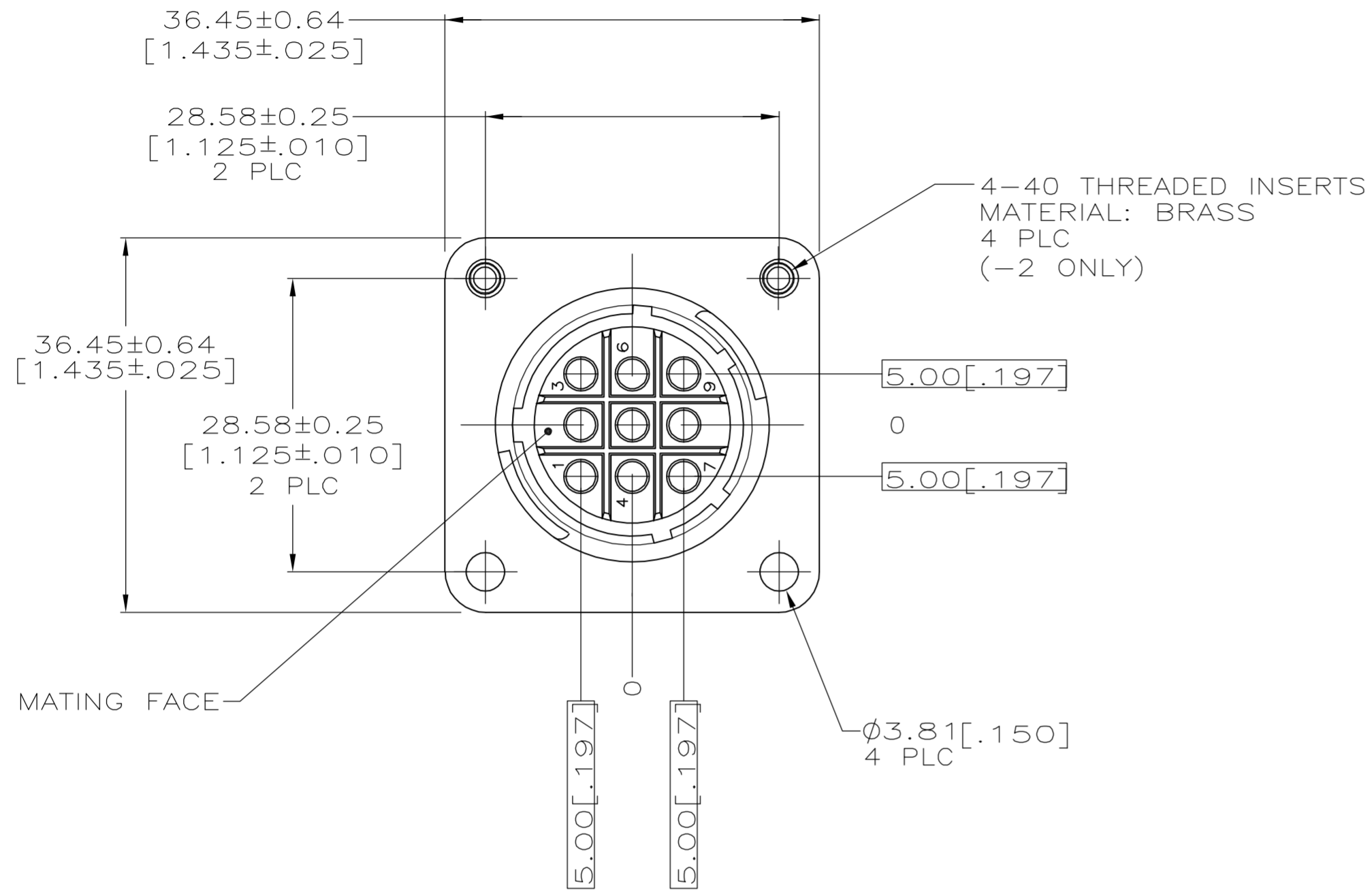
**www.Jameco.com ♦ 1-800-831-4242**

The content and copyrights of the attached  
material are the property of its owner.

Jameco Part Number 839658

THIS DRAWING IS UNPUBLISHED. RELEASED FOR PUBLICATION  
 © COPYRIGHT BY TYCO ELECTRONICS CORPORATION. ALL RIGHTS RESERVED.

LOC		DIST		REVISIONS			
P	LTR	DESCRIPTION		DATE	DWN	APVD	
FT	0	D		REVISED PER ECO-05-14855	2/23/06	SS SH	



RECOMMENDED PANEL CUTOUT

- ① HOUSING: NYLON, BLACK. THREADED INSERTS: BRASS
- 2. CAVITY IDENTIFICATION ON FRONT AND REAR FACE.
- 3. WILL ACCEPT NINE (9) MULTIMATE PIN CONTACTS.

YES	211767-3
YES	211767-2
NO	211767-1
4-40 THREADED INSERTS	PART NUMBER

DIMENSIONS:		TOLERANCES UNLESS OTHERWISE SPECIFIED:		DWN		CHK		APVD		PRODUCT SPEC		APPLICATION SPEC		MATERIAL		FINISH		WEIGHT		SCALE		SHEET		REV	
INCHES				D. BROCKWAY 09-28-94		R. STONE 09-30-94		-		-		-		-		-		-		2:1		1 of 1		D	
0 PLC ± -		1 PLC ± -		2 PLC ± 0.13 [.005]		3 PLC ± -		4 PLC ± -		ANGLES ± -		-		-		-		-		A2		00779		C=211767	
CUSTOMER DRAWING																									