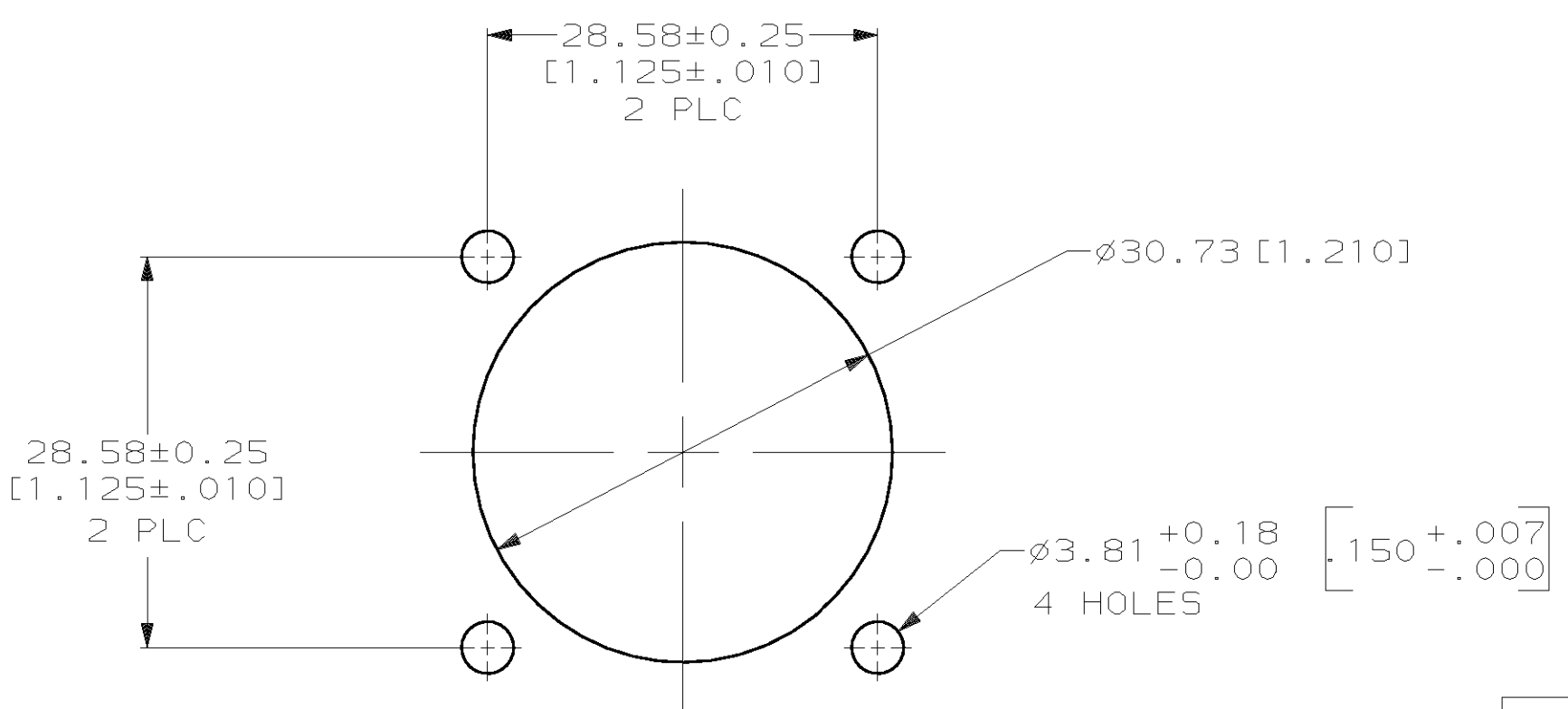
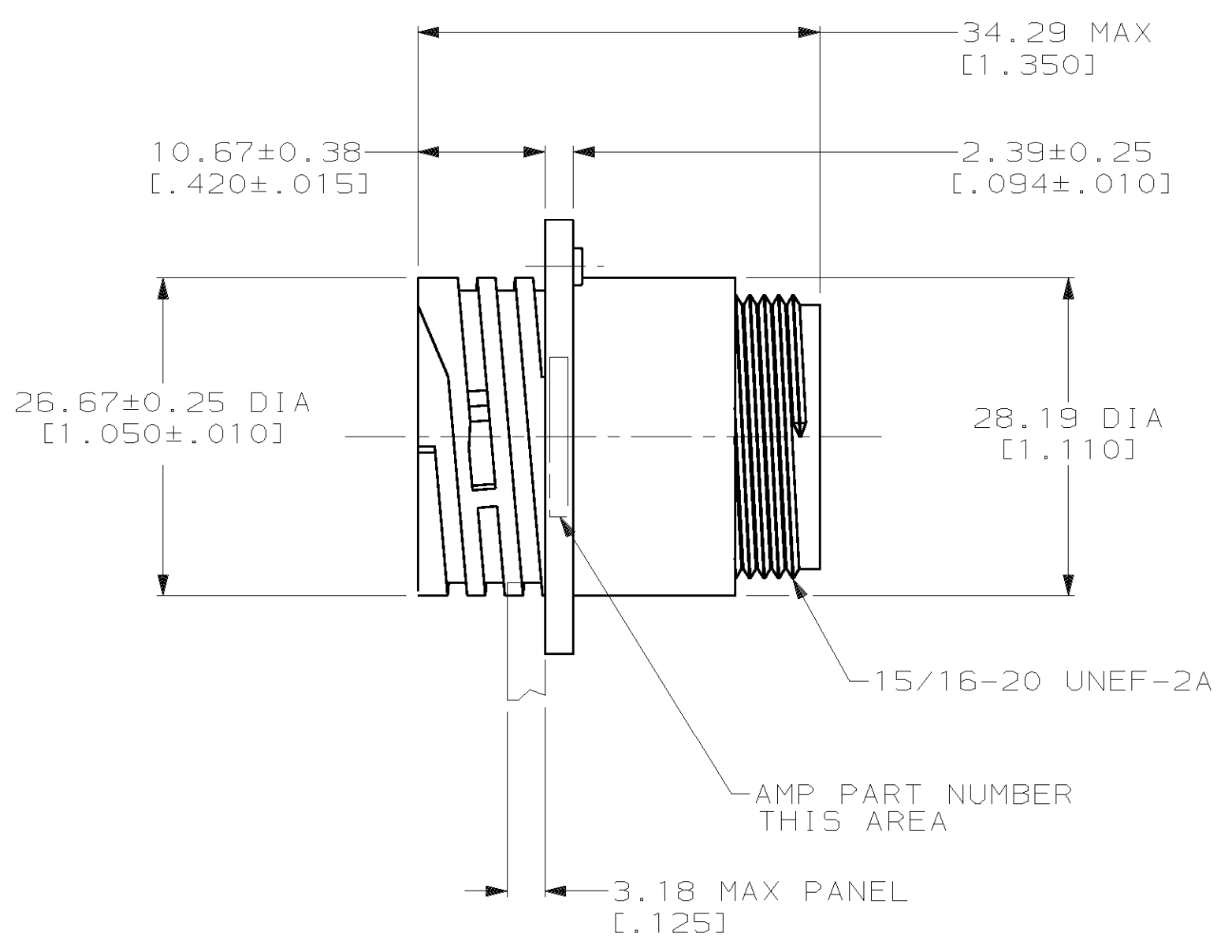
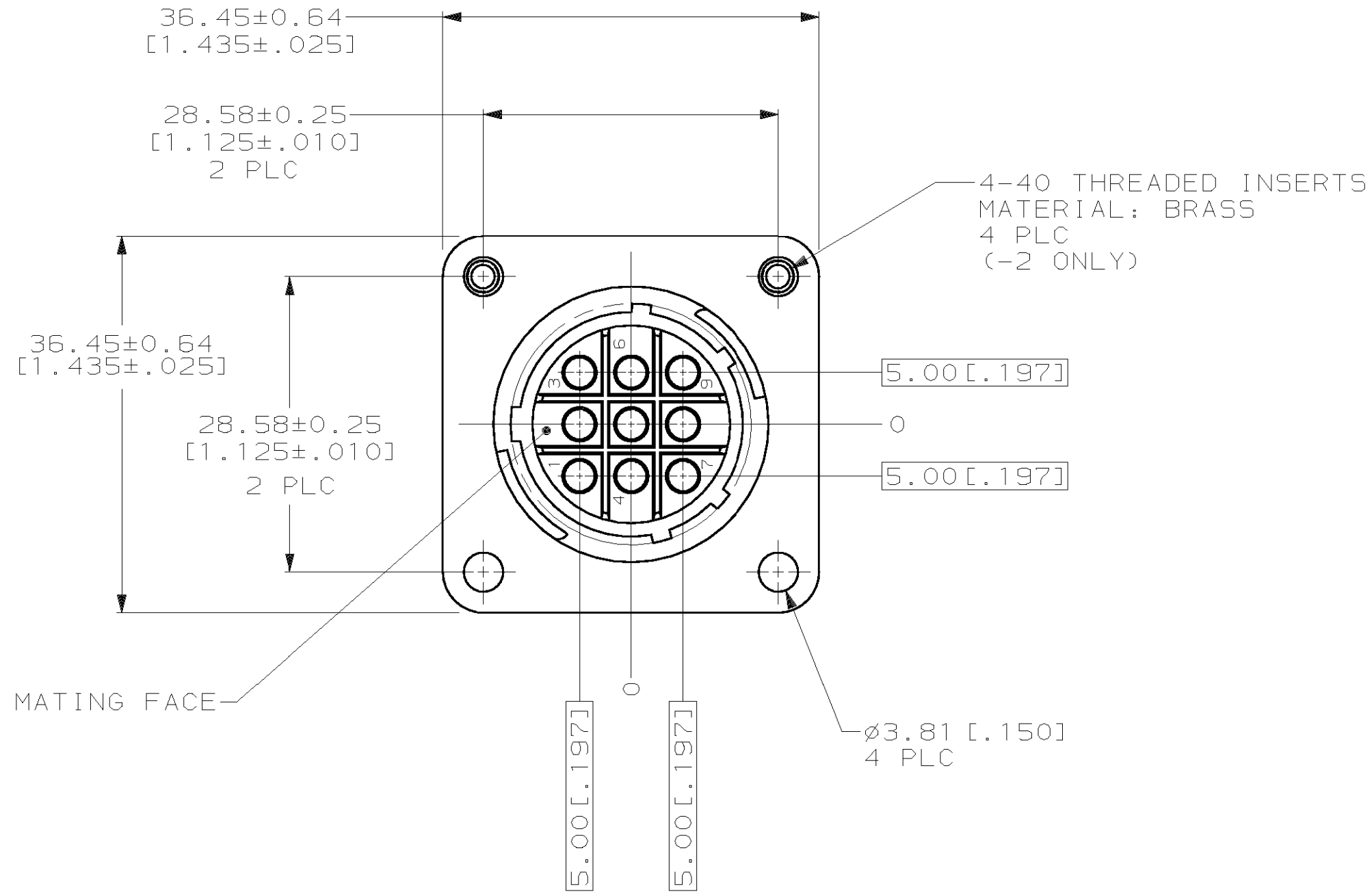


LOC	DIST	P	F	ZONE	LTR	REVISIONS	DATE	APPD
FT	0				B	REVISE PER ECN 0G3B-0390-00	09AUG00	SU/MC



- 1. HOUSING: NYLON, BLACK. THREADED INSERTS: BRASS
- 2. CAVITY IDENTIFICATION ON FRONT AND REAR FACE.
- 3. WILL ACCEPT NINE (9) MULTIMATE PIN CONTACTS.

PRELIMINARY	YES	211767-2
	NO	211767-1
	4-40 THREADED INSERTS	PART NUMBER

DO NOT SCALE PRINT. UNLESS SPECIFIED DIMENSIONS IN mm [INCHES] TOLERANCES ON: 2 PLC DEC ±0.13 [0.005] 3 PLC DEC ± - ANGLES ± -	DR 09-28-94 D.BROCKWAY	AMP Incorporated Harrisburg, PA 17105-3608		
	CHK 09-30-94 R.STONE			
	MATERIAL 1	APPD 10-03-94 A.FRANTUM	NAME RCPT HSG, STD SEX, VDE, SHELL SIZE 17, CPC	
FINISH -	APPD 10-03-94 A.FRANTUM	SIZE C	CAGE CODE 00779	DRAWING NO C=211767
	PRODUCT SPEC -	SCALE 2:1		SHEET 1 OF 1
	APPLICATION SPEC -			
	WEIGHT -			

THIS DRAWING IS A CONTROLLED DOCUMENT FOR AMP INCORPORATED. IT IS SUBJECT TO CHANGE AND THE CONTROLLING ENGINEERING ORGANIZATION SHOULD BE CONTACTED FOR THE LATEST REVISION.